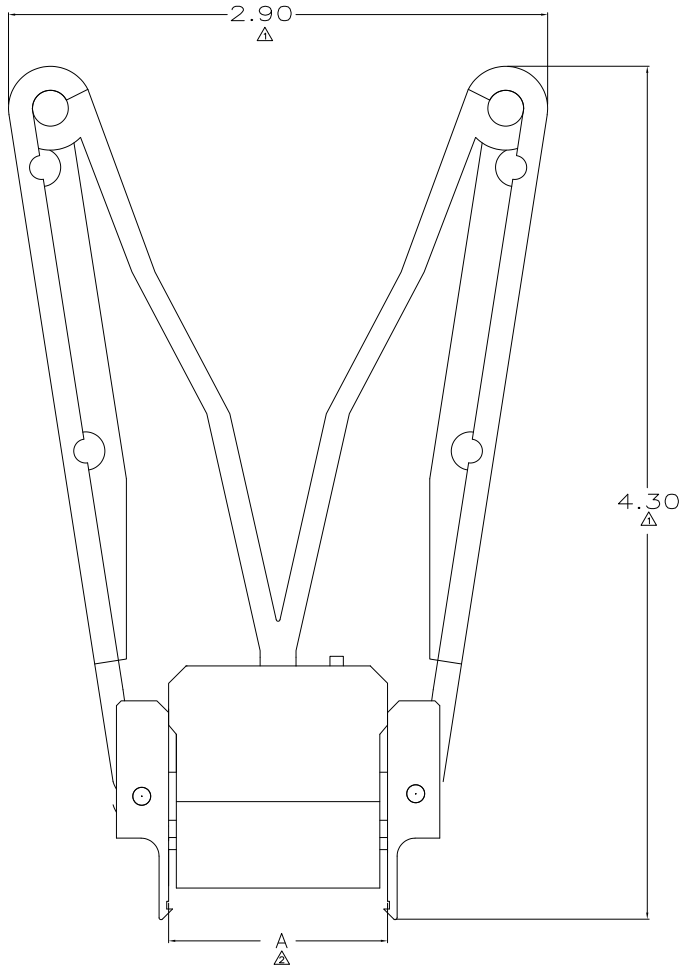


DRAWING MADE IN THIRD ANGLE PROJECTION
 THIS DRAWING IS UNPUBLISHED. RELEASED FOR PUBLICATION
 © copyright 19 by AMP INCORPORATED. ALL INTERNATIONAL RIGHTS RESERVED.

| NO. | | REV | DATE | DESCRIPTION | DATE | APPD |
|-----|----|-----|------|---------------------------|---------|------|
| AG | 55 | | | | | |
| | A1 | | | REVISED PER ECO-09-023313 | 13OCT09 | AG |
| | A | | | REVISED PER AG-3280 | 7-26-14 | WS |



- △ DIMENSION APPLIES ONLY WHEN HANDLE IS IN FREE STATE.
- △ DIMENSION "A" APPLIES ONLY WHEN HANDLE IS SQUEEZED, WITH HOOKS PIVOTED AGAINST CAM.
- 3. FOR INSTRUCTION ON HOW TO USE THIS HAND TOOL REFER TO AMP INSTRUCTION SHEET IS-3289.
- △ OBSOLETE PARTS: OBSOLETE CIS STREAMLINING PER D.RENAUD/D.SINISI

| | |
|--------------------------|----------|
| 1.485 - 1.500 | 822253-4 |
| △ OBSOLETE 1.525 - 1.540 | 822253-3 |
| 1.325 - 1.340 | 822253-2 |
| △ OBSOLETE 1.125 - 1.140 | 822253-1 |
| DIM A | PART NO. |

| DO NOT SCALE PRINT, UNLESS SPECIFIED | | DR 4-29-92 G. HOWELL | | PART NO. | |
|--------------------------------------|--|---------------------------|--|---|--|
| DIMENSIONS IN mm [INCHES] | | CHK 4-29-92 G. HOWELL | | AMP Incorporated Harrisburg, PA 17105-3608 | |
| 1 P L&C DEC # 108 | | APPD 4-29-92 G. HOWELL | | 9-10-91 | |
| 2 P L&C DEC # 108 | | MATERIAL | | PRODUCT ASSY HAND TOOL | |
| 3 P L&C DEC # 105 | | PRODUCT SPEC | | SIZE D | |
| INCHES # | | APPLICATION SPEC | | CAGE CODE 00779 | |
| FINISH - | | WEIGHT - | | DRAWING NO 822253 | |
| | | | | SCALE 2:1 | |
| | | | | SHEET 1 OF 1 | |

CUSTOMER DRAWING