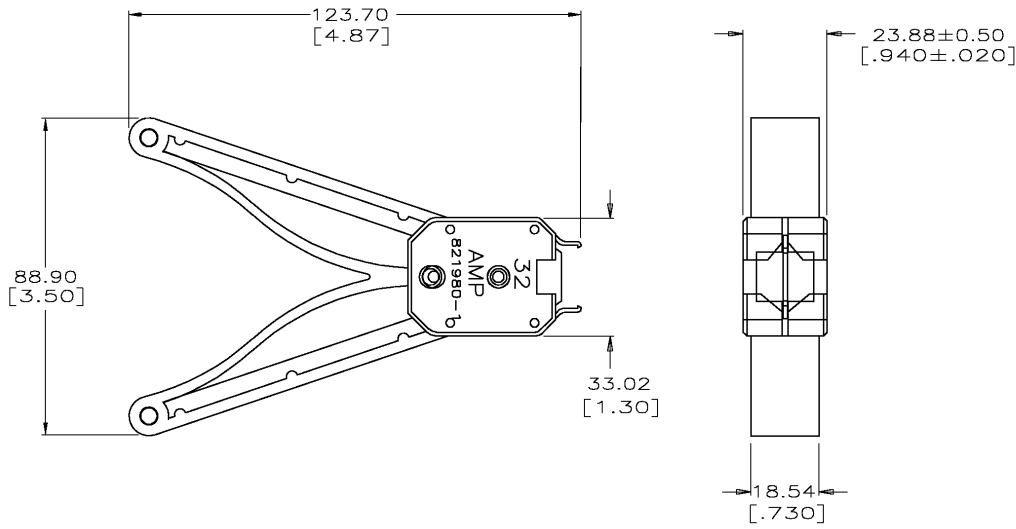


THIS DRAWING IS UNPUBLISHED. RELEASED FOR PUBLICATION
 © COPYRIGHT BY TYCO ELECTRONICS CORPORATION. ALL RIGHTS RESERVED.

LOC	DIST	REVISIONS			
P	LTR	DESCRIPTION	DATE	OWN	APVD
AD	00				
	C	REV PER EC 0G3C-0655-04	01NOV04	MB	DR



821980-1 SHOWN

THIS DRAWING IS A CONTROLLED DOCUMENT.		DRN C. WHITT 8-1-91	Tyco Electronics Corporation Harrisburg, Pa 17105-3608	
DIMENSIONS: mm [INCHES]		CHK R. MILLER 8-1-91	APVD K. KREIDLER 8-1-91	
TOLERANCES UNLESS OTHERWISE SPECIFIED:		NAME TOOL, EXTRACTION, PLCC, 32 POSN.		
0. PLC ± -		PRODUCT SPEC -		
1. PLC ± -		APPLICATION SPEC -		
2. PLC ± 0.2 [.01]		SIZE A3 00779 C=821980		
3. PLC ± 0.25 [.010]		CAGE CODE 00779		
4. PLC ± -		DRAWING NO 821980		
ANGLES ± -		RESTRICTED TO -		
MATERIAL: HANDLE- POLYACETAL END CAPS- POLYACETAL HOOK- STAINLESS STEEL. 1.07±0.08 [1.042±.003] THK		WEIGHT -		
FINISH: HANDLE- COLOR, BLUE END CAPS- COLOR, BLUE		CUSTOMER DRAWING		
		SCALE 1:1 SHEET 1 OF 0 REV C		

AMP 1470-19 REV 31MAR2000