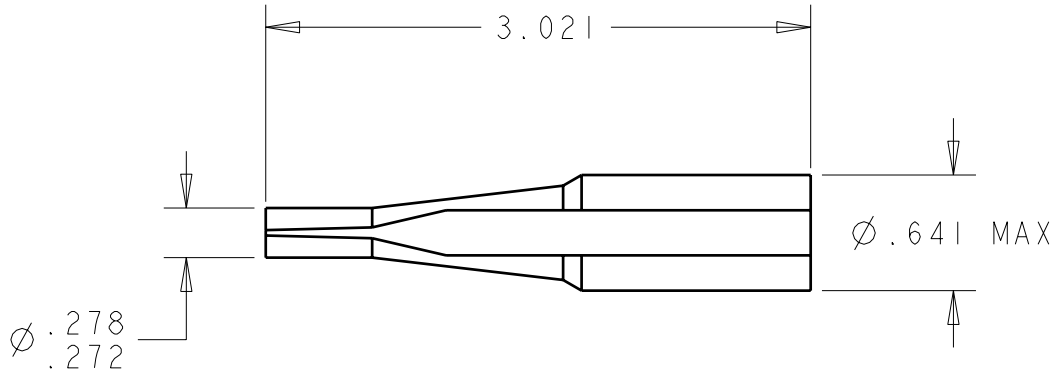


LOC	DIST	REVISIONS					
-	-	P	LTR	DESCRIPTION	DATE	DWN	APVD
			A	NEW RELEASE	17OCT2008	CR	DO



1. PART NUMBER CHANGES AND OR DESIGN CHANGES AFFECTING ITEM INTERCHANGEABILITY REQUIRE PRIOR TYCO ELECTRONICS APPROVAL AND AUTHORIZATION BY REVISION TO THIS DRAWING.
2. MATERIAL: THERMOPLASTIC  
COLOR: RED
3. EXTRACTION TOOL FOR USE ON INSERTABLE/REMOVABLE CONTACT SIZE #8

AS SHOWN	1643914-1
DESCRIPTION	PART NO.

THIS DRAWING IS UNPUBLISHED.

RELEASED FOR PUBLICATION 20 BY TYCO ELECTRONICS CORPORATION. ALL RIGHTS RESERVED.

DIMENSIONS: INCHES	DWN C. ROHLER	17OCT2008	MATERIAL	-	FINISH	-
	CHK D. ORRIS	17OCT2008	Tyco Electronics Harrisburg, PA 17105-3608			
TOLERANCES UNLESS OTHERWISE SPECIFIED:	APVD M. PERCHERKE	17OCT2008				
0 PLC ±-	PRODUCT SPEC	-	NAME REMOVAL TOOL SIZE #8 COLOR RED, DOMINO/DRAWERS			
1 PLC ±-	APPLICATION SPEC	-	SIZE	CAGE CODE	DRAWING NO	RESTRICTED TO
2 PLC ±.02			A4	00779	C=1643914	-
3 PLC ±.010			CUSTOMER DRAWING			
4 PLC ±-	WEIGHT	-	SCALE	1:1	SHEET	OF
ANGLES ±5						REV
						A