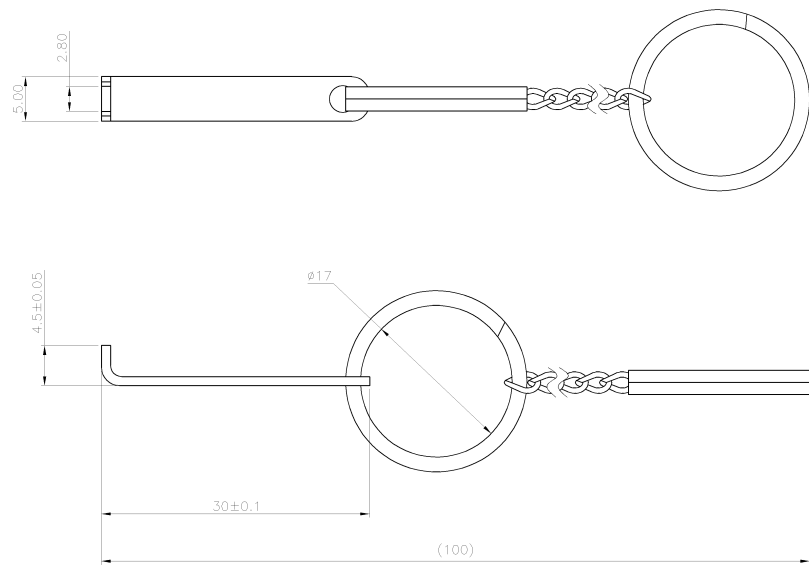


NUMBER
C-1775231



METRIC



NOTE:

- MATERIAL:
BODY: STAINLESS STEEL.
CHAIN: STEEL.
KEY RING: STAINLESS STEEL.
- FINISH:
1.27 μm [50 μ"] MIN. NICKEL ON CHIAN.

THIS INFORMATION IS CONFIDENTIAL AND IS RELEASED TO YOU ON CONDITION THAT NO FURTHER DISCLOSURE IS MADE BY YOU TO OTHER THAN AMP PERSONNEL WITHOUT DIMENSIONS IN MILLIMETERS. DO NOT SCALE PRINT.

PRINT DIST
DW

1775231-1

PART NUMBER

TOLERANCES UNLESS OTHERWISE SPECIFIED:		DWN	A. WU	tyco TYCO HOLDINGS (BERMUDA)	
0	PLC ±	15-JUN-2006	15-JUN-2006	VII LTD. TAIWAN BRANCH	
1	PLC ±0.3	CHK	S. HOU	NAME	
2	PLC ±0.2	15-JUN-2006		2.8 EXTRACTION TOOL	
3	PLC ±0.1	15-JUN-2006		(MC-901T)	
ANGLES ±5°		APVD		W.J. KE	
MATERIAL		15-JUN-2006		LOC	
SEE NOTE		PRODUCT SPEC		SIZE	
FINISH		QUALIFICATION TEST REPORT		DRAWING NO	
SEE NOTE		WEIGHT		C-1775231	
		5.3 GRAMS		REV	
		SCALE		A	
		---		SHEET	
		1 OF 2			

A	FIRST RELEASED	--	AW	15JUN	
LTR	REVISION RECORD	ECN	DWN	2006	
			CHK	DATE	

8 | 7 | 6 | 5 | 4 | 3 | 2 | 1
CUSTOMER DRAWING

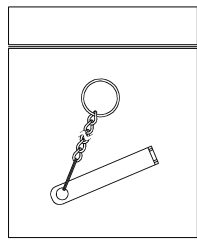
NUMBER
C-1775231



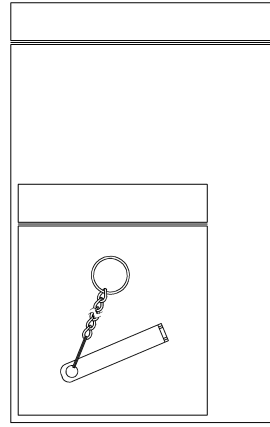
METRIC

THIS INFORMATION IS CONFIDENTIAL AND IS DECLASSIFIED TO YOU ON CONDITION THAT NO FURTHER DISCLOSURE IS MADE BY YOU TO OTHER THAN AMP PERSONNEL WITHOUT DIMENSIONS IN MILLIMETERS. DO NOT SCALE PRINT.

PRINT DIST
DW



INNER BAG
50 X 50 X 0.04



OUTER BAG
70 X 100 X 0.04

LTR	SEE SHEET 1.	ECN	DWN/CHK	DATE
	REVISION RECORD			

57.1 g	53 g	1	10	10 PCS
GROSS WEIGHT	NET WEIGHT	PCS /INNER BAG	INNER BAGS /OUTER BAG	QUANTITY

TOLERANCES UNLESS OTHERWISE SPECIFIED:	DWN	A. WU	tyco TYCO HOLDINGS (BERMUDA)	
0 PLC ±		15-JUN-2006	VII LTD. TAIWAN BRANCH	
1 PLC ±	CHK	S. HOU	Electronics	
2 PLC ±		15-JUN-2006	NAME	
3 PLC ±			2.8 EXTRACTION TOOL (MC-901T)	
ANGLES ±				
MATERIAL	APVD	W.J. KE		
-		15-JUN-2006		
FINISH	APPLICATION SPEC		LOC	SIZE
-			DW	A ₃
	WEIGHT		DRAWING NO	REV
			C-1775231	A
			SCALE	SHEET
			--	2 OF 2

CUSTOMER DRAWING