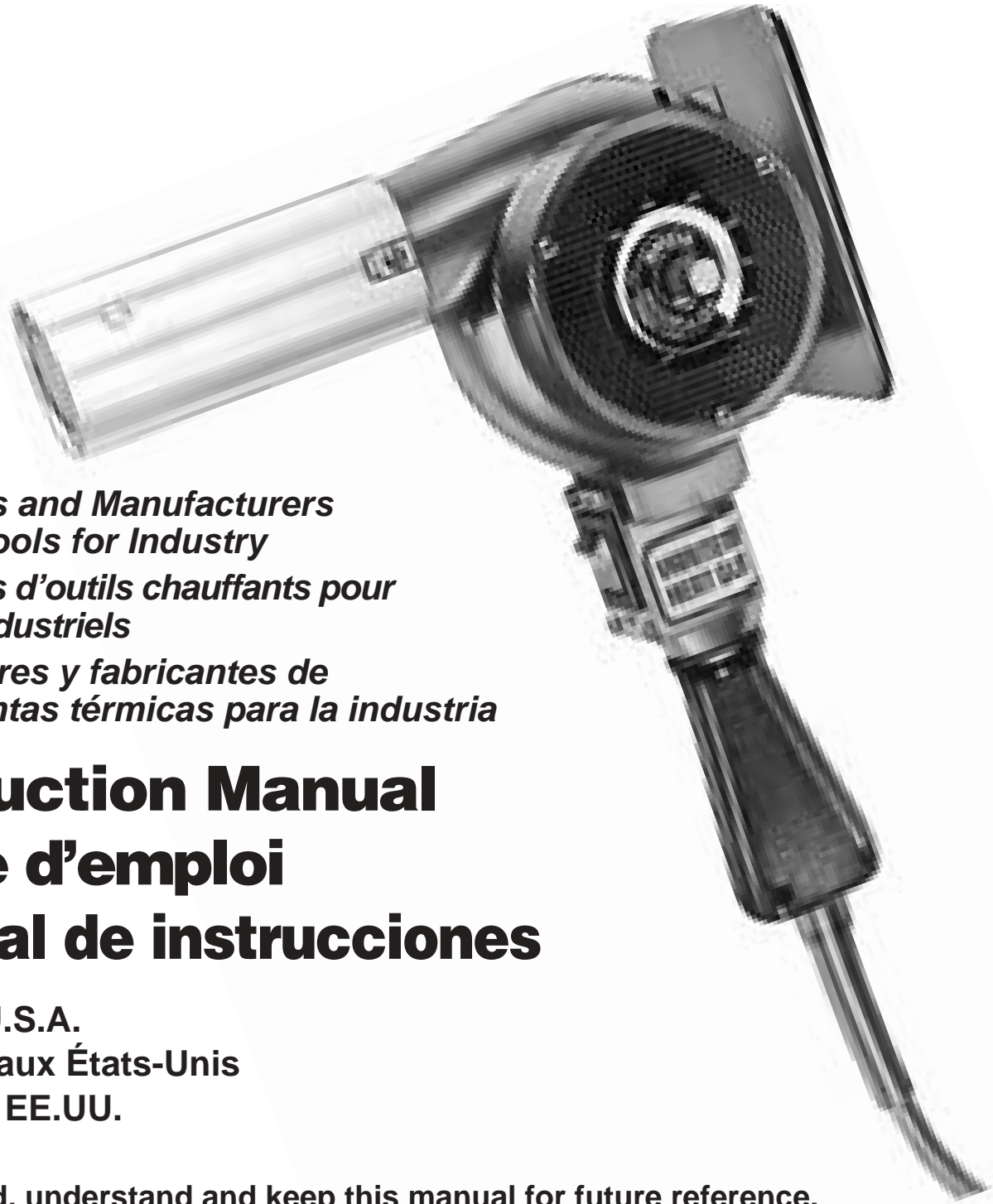


MASTER[®]
A P P L I A N C E

Varitemp[®] Heat Gun



*Designers and Manufacturers
of Heat Tools for Industry*

*Fabricants d'outils chauffants pour
usages industriels*

*Diseñadores y fabricantes de
herramientas térmicas para la industria*

Instruction Manual **Mode d'emploi** **Manual de instrucciones**

Made in U.S.A.

Fabriqué aux États-Unis

Hecho en EE.UU.

Please read, understand and keep this manual for future reference.

**Lire et bien comprendre les instructions
contenues dans ce manuel et les conserver comme référence.**

Por favor lea, comprenda y guarde este manual para futura referencia.

Description & Introduction

The Varitemp® Heat Gun is a heavy-duty, Industrial-quality, general-purpose heat gun. High temperature Industrial jobs are done faster with this heat gun, because our MASTER models have higher power and air flow ratings.

Your Varitemp® Heat Gun is equipped with an electronic stepless temperature control dial which regulates the current going through the heating element. This allows

outlet temperatures to be set from ambient to a maximum of 1000°F. The Varitemp control knob may be locked into place so that the same setting may be used time after time, if so desired. This prevents changes in settings between production runs. It also prevents accidental setting changes.

Heat Guns are a source of extremely high temperature flameless heat (up to

1000°F/540°C). As with other products which generate extremely high temperatures, regardless of your specific application, extreme care and caution should be observed when using this product. Therefore, we recommend that you pay particular attention to the safety instructions which we have provided for your protection.

Specifications

Size 8"L x 9-1/2"H x 6"W
 Nozzle diameter 1-1/2"
 Shield diameter 1-3/4"
 Cord length 6 Ft.

Models	Temperature		Volts	Max. Amperes	Max. Watts	Velocity	
	°F	°C				F/M	CFM
VT-750C	1000	540	120	14.5	1740	2200	21
VT-752C	750	400	220/240	7	1680	2800	21

Important Safety Instructions

WARNING: THIS PRODUCT IS A SOURCE OF VERY HIGH TEMPERATURE FLAMELESS HEAT. AS WITH ANY ELECTRICAL TOOL, WHEN USING HEAT TOOLS, ALWAYS FOLLOW SAFETY PRECAUTIONS TO REDUCE THE RISK OF FIRE, ELECTRIC SHOCK OR PERSONAL INJURY.

- 1) Read and understand this instruction manual before using this product. *Save this manual for future reference.*
- 2) **WARNING:** With a heat gun, as with all other heat tools, keep a fire extinguisher handy and observe all sensible fire precautions.

We do not recommend

using this heat gun on **hidden** areas such as behind walls, ceilings, floors, soffit boards and other panels that may contain flammable materials (dust, wood chips, insulation, rodent nests, etc.) that could be ignited by the heat gun when working in these locations. When working in these locations, keep the heat gun moving in a back and forth motion.

Important Safety Instructions

Lingering or pausing in one spot could ignite the panel or the material behind it.

Your heat gun is best used for stripping paint from **solid** woodwork with ins and outs such as solid interior trim, mouldings, turnings, doors, balusters and porch trim, etc.

Care should be taken when stripping paint. The peelings, residue and vapors of paint may contain lead, which is poisonous. The peelings and residue can be ground into floors and enter the air by normal cleaning methods such as sweeping or vacuuming. Once deposited on surfaces, hand-to-mouth contact can result in the ingestion of lead. Paint stripping should be only performed with adequate ventilation, such as a fan (in the exhaust mode) or by moving the workplace outdoors where possible.

It is recommended that you use a particle mask when stripping paint. Failure to adhere to these precautions could result in the inhalation and ingestion of lead.

3) Do not breathe or swallow lead based paint in any form. Many old homes and other buildings contain lead based paint. Dust, scrapings, residues and vapors of lead based paint are extremely poisonous. Prevent possible lead

poisoning when stripping this type of paint by using adequate ventilation (such as a window fan in the exhaust mode), and keeping a clean work area. When dust or vapors are present, use a respirator designed to filter lead. Move work outside when possible.

Failure to follow adequate safety precautions when working with lead based paint could result in lead poisoning. See our Paint Stripping Instructions for more information.

- 4) **WARNING:** to reduce the risk of fire or electric shock, do not expose heat guns to rain or moisture. Store indoors. Connect to grounded outlet only.
- 5) Do not use plug adaptors or remove the ground prong from the plug. This tool is equipped with a 3-prong plug and a 3-wire grounding system. Connect to properly grounded outlets only.
- 6) Use heat gun only on adequately rated circuits to avoid overheating of electrical systems.
- 7) Varitemp heat guns can produce up to 1000°F (540°C) of flameless heat out of the nozzle. Do not direct this hot air stream at your clothing, hands or other body parts. Do not use as a hair dryer.
- 8) Do not touch nozzle opening or nozzle shield

until cool. When in "hot" mode, extreme heat is generated at those areas. Always hold tool by the handle or use permanently attached stand.

- 9) Run on "cold" before turning off. The nozzle and shield require approximately 3 minutes to become cool to the touch.
- 10) Do not touch work surface or scrape paint with nozzle. Keep nozzle face at least 1" away.
- 11) Keep a clean work area. Messy or cluttered work areas invite accidents or injury.
- 12) Keep away from children. All visitors should be kept at a safe distance from the work area. Do not let visitors touch the tool or extension cord.
- 13) Use tool in a well-ventilated area. Do not use near flammable liquids or in an explosive environment (where fumes, gases or dust are present).
- 14) Remove all highly flammable materials and other debris from the work area.
- 15) Wear safety glasses at all times.
- 16) When using an extension cord, use only a 3-wire grounded cord with a minimum of 14 gauge

Important Safety Instructions (cont'd)

- capacity. We recommend they be listed by Underwriters Laboratories (UL) in the U.S.A. or (CSA) Canadian Standards Association in Canada and be suitable for outdoor use. Cords marked for outdoor use are also suitable for indoor use.
- 17) Don't abuse cordset. Never pull by cord to remove from electrical outlet or carry tool by cord.
 - 18) Don't remove adjustable stand. When not hand held, place tool on a level surface. Position cordset so it does not cause tipping.
 - 19) Keep a fully-charged fire extinguisher close at hand.
 - 20) Do not leave heat gun unattended while running or cooling down.
 - 21) Stay alert. Do not operate tool when you are tired. Use common sense and watch what you are doing.
 - 22) Store properly. Do not store while hot. Store in a dry, high or locked-up location. Keep out of the reach of children.
 - 23) Always unplug tool before performing any maintenance. When servicing, use only Master Appliance brand replacement parts. We recommend that all maintenance be performed by a qualified repair technician who is experienced in the repair of electric tools, a qualified service organization, or our repair staff.
 - 24) **WARNING: THIS PRODUCT, WHEN USED FOR SOLDERING AND SIMILAR APPLICATIONS, PRODUCES CHEMICALS KNOWN TO THE STATE OF CALIFORNIA TO CAUSE CANCER AND BIRTH DEFECTS OR OTHER REPRODUCTIVE HARM.**

Send product to:

Master Appliance Corp.
Attn: Repair Department
2420 - 18th Street
Racine, WI 53403

Operating Instructions

Your Varitemp® is a heavy-duty, industrial-quality heat gun. You can do more heating jobs faster with this heat gun because of its high power and air flow ratings.

This product provides a fast flow of heated air for applications such as activating adhesives, bending and forming plastics, curing epoxies, deburring plastics, defrosting frozen coils, drying negatives and parts, heating solids and liquids, loosening nuts and bolts, removing floor tiles and putty, repairing vinyl, shrinking tubing and packaging, softening, materials and stripping paint. It's your dependable answer, "Wherever a fast, portable heat is the need."

The proper amount of heat for each application is dependent upon the adjustment of the heat adjustment control, the distance of the nozzle from the work surface and the length of time that heat is applied to the work surface.

Before performing any application, we recommend that you experiment with a piece of scrap material. Use care in approaching the work until you find the proper combination of heat adjustment, control distance from the work surface, and the heat application time.

Use a gentle back and forth motion when applying heat unless it is found that a concentrated heat is desired.

When heat gun is used in an enclosed container, such as a shrink tunnel or special enclosure, ambient air must be allowed to pass into the heat gun and there must be an outlet of equal size for the heated air to pass out of the enclosure also. Total enclosure will cause damage or possible failure to the heat gun due to the extreme heat generated.

To Operate Your Varitemp® Heat Gun

- 1) Plug heat gun into properly rated outlet.
- 2) Move rocker switch to "Hot" position. Turn heat control to desired setting. Heat gun will come up to operating temperature.
- 3) To lock the control, remove the knob by loosening the knob set screw with a 3/64" allen wrench. Turn the control shaft to the desired heat setting and tighten the lock nut.
- 4) Adjustable stand is provided to allow nozzle to be rotated from almost horizontal to vertical position.
- 5) To turn heat gun off after use, move switch to "COLD" position. Run on cold for approximately three minutes. This will allow the heat gun to cool down and the nozzle to become cool to the touch.
- 6) Move switch to "OFF" position.

Typical Applications

How to Strip Paint

In addition to many other applications, stripping paint has become a popular use for your Varitemp Heat Gun. Because of its higher power and airflow ratings many professional restoration and renovation contractors recognize it as the tool of choice for tough paint stripping jobs.

We recommend using only the Model HG-501A (120V), HG-501A-C (120 V, in Canada) or the Model HG-502A (220/240V) for professional paint stripping applications.

Paint Stripping Safety Instructions

- 1) **WARNING:** With a heat gun, as with all other heat tools, keep a fire extinguisher handy and observe all sensible fire precautions.

We do not recommend using this heat gun on **hollow** surfaces such as outdoor siding, walls, soffits, panels and partitions, etc.

These areas often contain flammable materials such as dust, wood chips, insulation, rodent nests and other debris which could accidentally ignite.

Your heat gun is best used for stripping paint from **solid** woodwork with ins and outs, such as solid interior trim, mouldings, turnings, doors, balusters and porch trim, etc.

When stripping paint, always keep the heat gun moving in a continuous back and forth motion. Stopping or pausing too long in one spot could ignite the surface you are working on or the area behind it.

- 2) Do not breathe or swallow lead based paint in any form. Many old homes and other buildings contain lead based paint. Dust, scrapings, residues and vapors of lead based paint are extremely poisonous. Prevent possible lead poisoning when stripping this type of paint by using adequate ventilation (such

as a window fan in the exhaust mode), and keeping a clean work area. When dust or vapors are present, use a respirator designed to filter lead. Move work outside when possible.

Failure to follow adequate safety precautions when working with lead based paint could result in lead poisoning. See our Paint Stripping instructions for more information.

- 3) Keep away from chemical paint strippers which can ignite or release harmful vapors.
- 4) Use adequate ventilation (such as a window fan in the exhaust mode) and keep your work area clean.
- 5) Wear gloves and safety glasses at all times.
- 6) Keep a fully charged fire extinguisher close at hand.
- 7) Stay alert, watch what you are doing, and use common sense.

Important Safety Instructions Read These Instructions

WARNING: Hidden areas such as behind walls, ceilings, floors, soffit boards and other panels may contain flammable liquids that could be ignited by the hot air gun when working in these locations. The ignition of these materials may not be readily apparent and could result in property damage and injury to persons. Do not use if in doubt about this hazard. When working in these locations, keep the hot air gun moving in a back-and-forth motion. Lingering or pausing in one spot could ignite the panel or the material behind it.

Paint Stripping

WARNING: Extreme care should be taken when stripping paint. The peelings, residue and vapors of paint may contain lead and paint applied to homes prior to 1950 is likely to contain lead. Once deposited on surfaces, hand to mouth contact can result in the ingestion of lead. Exposure to even low levels of lead can cause irreversible brain and nervous system damage; young and unborn children are particularly vulnerable.

Before beginning any paint removal process you should determine whether the paint you are removing contains lead. This can be done by your local health department or by a professional who used

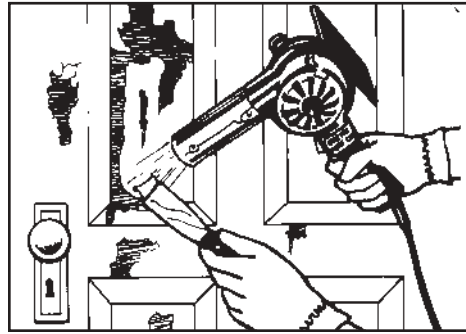
a paint analyzer to check the lead content of the paint to be removed. **LEAD-BASED PAINT SHOULD ONLY BE REMOVED BY A PROFESSIONAL AND SHOULD NOT BE REMOVED USING A HOT AIR GUN.**

Persons removing paint should follow these guidelines:

- 1) Move the work piece outdoors. If this is not possible, keep the work area well ventilated. Open the windows and put an exhaust fan in one of them. Be sure the fan is moving the air from inside to outside.
- 2) Remove or cover any carpets, rugs, furniture, clothing, cooking utensils and air ducts.
- 3) Place drop cloths in the work area to catch any paint chips or peelings. Wear protective clothing such as extra work shirts, overalls and hats.
- 4) Work in one room at a time. Furnishings should be removed or placed in the center of the room and covered. Work areas should be sealed off from the rest of the dwelling by sealing doorways with drop cloths.
- 5) Children, pregnant or potentially pregnant women and nursing mothers should not be present in the work area until the work is done and all cleanup is complete.
- 6) Wear a dust respirator or a dual filter (dust and fume) respirator mask which has been approved by the Occupational Safety and Health Administration (OSHA), the National Institute of Safety and Health (NIOSH), or the United States Bureau of Mines. These masks and replaceable filters are readily available at major hardware stores. Be sure the mask fits. Beards and facial hair may keep masks from sealing properly. Change filters often. **DISPOSABLE PAPER MASKS ARE NOT ADEQUATE.**
- 7) Use caution when operating the hot air gun. Keep the hot air gun moving as excessive heat will generate fumes which can be inhaled by the operator.
- 8) Keep food and drink out of the work area. Wash hands, arms and face and rinse mouth before eating or drinking. Do not smoke or chew gum or tobacco in the work area.

Typical Applications (cont'd)

Stripping Paint



- 9) Clean up all removed paint and dust by wet mopping the floors. Use a wet cloth to clean all walls, sills and any other surface where paint or dust is clinging. **DO NOT SWEEP, DRY DUST OR VACUUM.** Use a high phosphate detergent or trisodium phosphate (TSP) to wash and mop areas.
- 10) At the end of each work session put the paint chips and debris in a double plastic bag, close it with tape or twist ties, and dispose of properly.
11. Remove protective clothing and work shoes in the work area to avoid carrying dust into the rest of the dwelling. Wash work clothes separately. Wipe shoes off with a wet rag that is then washed with the work clothes. Wash hair and body thoroughly with soap and water.

SAVE THESE INSTRUCTIONS

- 1) To strip paint, turn unit on and hold it about 1 inch from the surface being stripped. Proper distance and speed of stripping should be determined by experience. It is an advantage to hold the gun further from the surface and to move forward slowly. Slower speed is compensated by the wider softened areas. Heat will also penetrate deeper.
 - 2) Outlet temperature can be regulated by the shutter at the side of the unit. With shutter open, temperature is about 500°F/260°C at a distance of 1 inch from the nozzle. With shutter closed, temperature is about 750°F/400°C. Experiment to see which setting gives the best results with the paint you are stripping.
- 3) As paint begins to blister and bubble, move gun slowly in a steady progression across the surface. Follow closely with a scraping knife (a 2-inch wall scraper works best) to scrape the loosened paint. Preheat scraper as you are heating the paint surface. This increases the speed of paint stripping.
 - a. Removal of paint by using heat is based on the fact that all organic paints soften at elevated temperatures. When soft, the paint can be easily lifted off without damage to the surface.
 - b. When stripping paint from grooves in moldings, you can devise your own scraping tools. Old screwdrivers with ground-down blades and linoleum knives are often used.

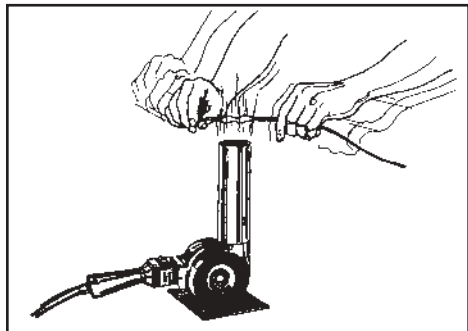
Typical Applications (cont'd)

- 4) When the task is completed, move rocker switch to "Cool" position. Allow blower to operate for a few minutes on cool.

trapped air to escape. Then wave heated air stream back and forth across package until shrink wrap has evenly shrunk.

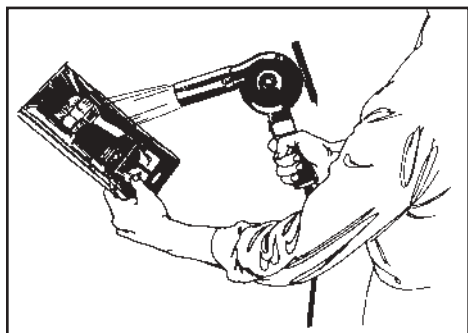
plastic piece into a proper holding fixture. Wave hot air along the whole length of the "Bend" line until plastic softens along that area. Bend plastic to desired position.

Shrinking Tubing



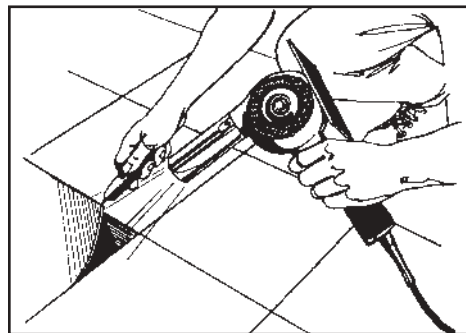
Use stand to free both hands. Slide tubing over area to be insulated. Place in air stream and move with a side to side motion until tubing has shrunk. Remove from air stream.

Shrinking Packaging



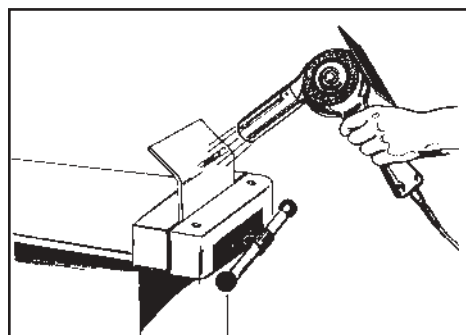
After shrink wrap has been sealed around product, poke a small hole in it to allow

Removing Floor Tile



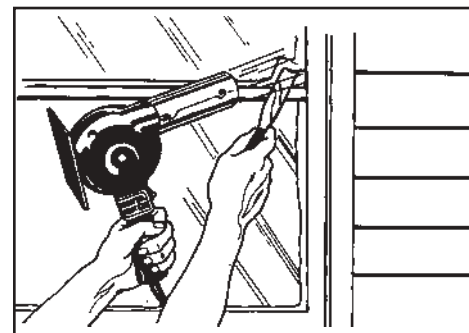
Direct heated air stream at tile to be removed in a back and forth motion. This will soften the adhesive backing. Place putty knife under tile and lift to remove.

Bending and Forming Plastics



Experiment with a piece of scrap material first to develop a proper technique. Place

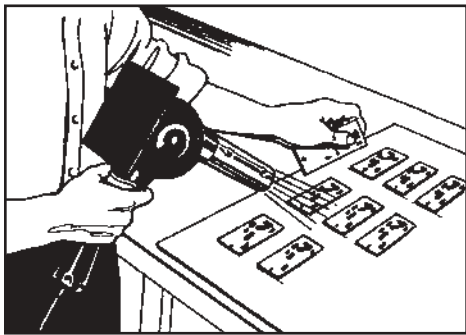
Removing Old Putty



When removing putty from a broken window, carefully remove the broken glass first. When removing putty from an undamaged window, direct the hot air stream away from the glass to prevent cracking due to thermal shock. It is convenient to shield the glass from the hot air with a large putty knife. Wave the hot air stream at putty until softened. Remove with putty knife.

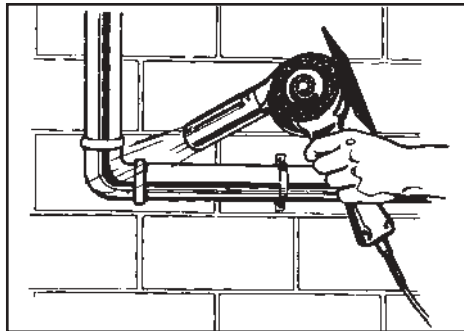
Typical Applications (cont'd)

Speed Drying Parts



Parts and other materials can be speed dried by waving the heated air stream over the work until dried.

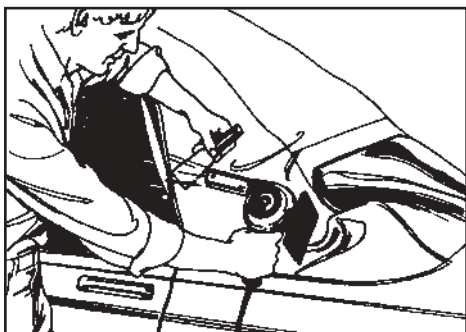
Defrosting Frozen Coils or Pipes



Direct hot air stream at frozen part and wave back and forth until part is defrosted or thawed.

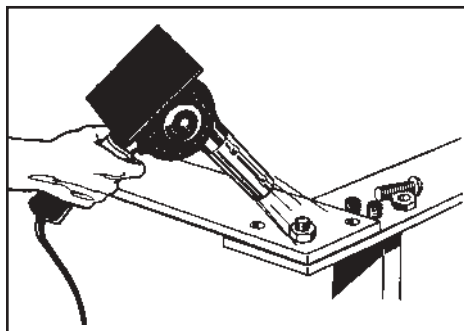
If you have any questions regarding your specific application or use, feel free to call our Customer Service Department at (262) 633-7791.

Stretching, Shaping and Installing Vinyl



Direct hot air stream at vinyl section and wave heat gun in a back and forth motion. Stretch and shape until wrinkles are removed. **DO NOT** aim at glass.

Loosening Nuts and Bolts



Direct hot air stream at nut or bolt to be loosened for a short period of time. Heating the nut or bolt will cause the metal to expand. Remove the air stream from work piece. Loosen nut or bolt with proper wrench.

Maintenance Instructions

All repairs and maintenance other than that recommended in this instruction manual must be performed by a qualified repair technician who is experienced with the repair of electric tools, a qualified service organization, or Master Appliance Corp.'s Repair Department.

For prompt and efficient maintenance and repair service, return your product to:

Master Appliance Corp.
Attn: Repair Department
2420 - 18th Street
Racine, WI 53403

Please enclose a note describing your problem and your phone number.

WARNING: Always unplug your tool before performing any maintenance or repairs. Use only identical Master Appliance brand replacement parts.

Motor Brushes

- 1) Unplug tool before removing brushes.
- 2) Inspect brushes regularly (at least every 100 hours of running time). If brushes are less than 1/8" long, replace them immediately.
- 3) Remove brushes one at a time. To remove, unscrew the brush cap located on the side of the housing, tip the hole downward and let the brush and spring fall out.

- 4) Always replace brushes in sets (2 brushes and 2 springs) to insure equal tension. If returning partially used brushes, match the curvature of the brushes to the commutator.
- 5) To replace, drop new brush in hole, drop in new spring and screw on brush cap.
- 6) After second set of brushes are worn down, return the tool to a qualified repair technician who is familiar with the repair of electric tools, a qualified service organization or Master Appliance Corp.'s Repair Department for interior cleaning, dressing of the commutator, or whatever maintenance is required.
- 7) Always use original Master Appliance Corp. replacement parts.

Heating Elements

Heating element abuse and eventual burnout can occur from one of the following conditions:

- 1) Inadequate blower speed
- 2) High line voltage
- 3) Improper attachment
- 4) Improper placement of element or mica insulator sheets
- 5) Nozzle too close to work being heated (less than 1").

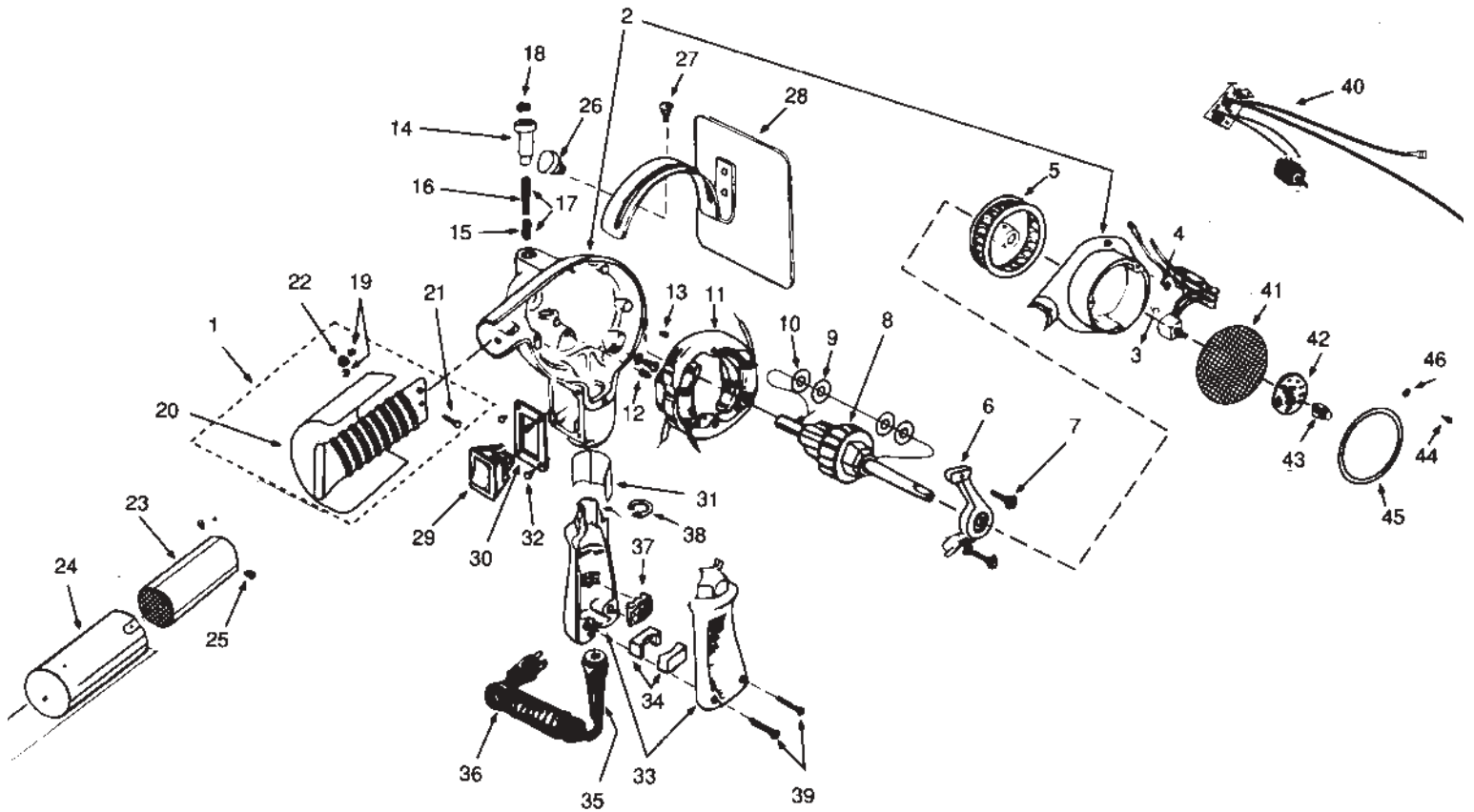
Lubrication

The bearings are lubricated at the factory and require no further lubrication.

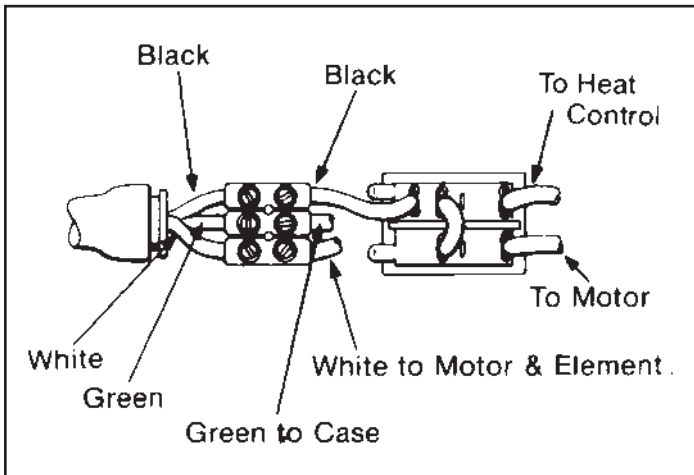
Cleaning

Unplug heat gun before cleaning. To clean outside of tool, use only a mild soap and damp cloth. Do not use other cleaning agents, turpentine, gasoline, lacquer or paint thinner, or other solvents that may contain chemicals which are harmful to plastics and other insulating materials. Never immerse tool in a liquid or allow a liquid to enter inside the tool. Make sure all vents and openings are free and clear of debris.

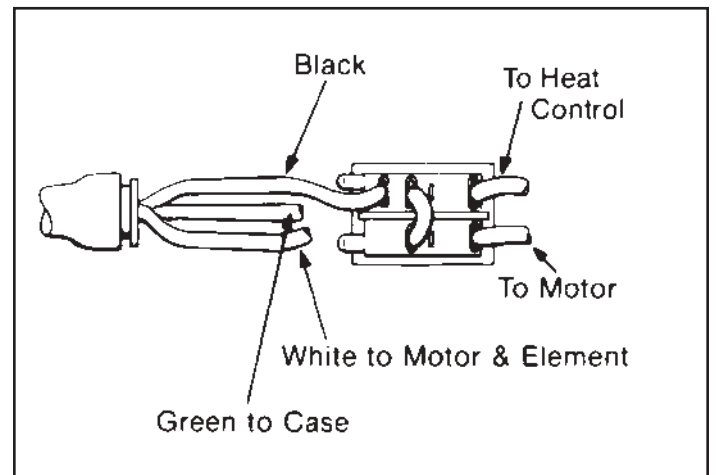
Exploded View



Switch Wiring Diagrams



Model VT-752C only



Model VT-750C

Varitemp® Heat Gun Replacement Parts (VT Models)

Varitemp® Heat Gun replacement parts and accessories are engineered and manufactured to precise Master Appliance specifications. Replacement parts and accessories from other

manufacturers are not produced to these precise specifications and, therefore, may cause difficulties with - or actual damage to - a Varitemp® Heat Gun. Master Appliance cannot assume any

responsibility or liability for difficulties resulting from the use of any other brand or replacement parts or accessories with a Varitemp® Heat Gun.

Item No.	Part No.	Description
1	HAS-043K	Element Kit for VT-750C, 120V
	HAS-014K	Element Kit for VT-752C, 220/240V
2	30269	Complete Housing and Cover Assembly
3	SRW-345	Screw
4	SRW-346	Screw
5	BLW-001	Blower Wheel
6	BRY-141	Upper Bearing Bracket
7	SRW-350K	Bearing Bracket Screw (Kit of 2)
8	ARM-607	Armature with Retaining Rings for VT-750C, 120V
	ARM-543	Armature with Retaining Rings for VT-752C, 220/240V
9	RIN-026K	Retaining Ring (Kit of 2)
10	WHR-003KA	Washer (Kit of 2)
11	FLD-484	Field for VT-750C, 120V
	FLD-450	Field for VT-752C, 220/240V
12	SRW-351K	Ground Screw & Lockwasher Kit
13	SRW-347K	Brush Holder Set Screw (Kit of 2)
14	BRH-040K	Brush Holder for 120V Motor (Kit of 2)
	BRH-025K	Brush Holder for 220/240V Motor (Kit of 2)
15	BRU-089K	Brush (Kit of 2)
16	SPG-049K	Brush Spring (Kit of 2)
17	BAS-103K	Brush & Spring (Kit of 2)
18	BRC-005K	Brush Cap (Kit of 2)
19	NUT-017K	Element Nuts (Kit of 2)
20	INN-032	Mica
21	SRW-346	Element Mounting Screw
22	SPA-025	Rubber Mounting Washer
23	NAS-006	Nozzle Assembly with Screen & Ring
24	SHL-004	Nozzle Shield
25	SRW-349K	Nozzle Screws (Kit of 3)
26	SRW-141	Clamp Screw
27	SRW-321	Shoulder Screw
28	BSY-005	Heat Gun Stand Assembly
29	SWH-019	Snap-in rocker Switch
30	PLT-281	Switch Plate
31	INN-101	Barrier
32	SRW-348K	Switch Plate Screw (Kit of 4)
33	HDE-013	Handle
34	GRT-045	Cord Grip Insert (Pair)
35	GRT-044	Cable Guard

Replacement Parts (cont'd)

Item No.	Part No.	Description
36	51211	Cord for VT-750C
	51265	Cord for VT-752C
37	TMB-003	Terminal Block for VT-752C only
38	RIN-032	Ring
39	SRW-344K	Screw (Kit of 2)
40	30582	Heat Control Replacement Kit for VT-750C, 120V
	30583	Heat Control Replacement Kit for VT-752C, 220/240V
41	50699	Air Intake Screen
42	50725	Dial Plate for VT-752C
	51527	Dial Plate for VT-750C
43	50723	Knob
44	SRW-348KA	Air Intake Screen Mtg. Screw (Kit of 3)
45	50921	Trim Ring
46	56054K	Lockwasher (Kit of 3)

One Year Full Warranty

Your Varitemp® Heat Gun was carefully tested and inspected before it was shipped from the factory. We warrant this product to be free from defects in materials and workmanship under normal use and service for one year from date of purchase. In the event of a defect in materials or workmanship, we will either repair or replace, without charge, at our option, any part which in our judgement shows evidence of such defect.

This warranty does not apply to the attachments, brushes, commutator, bearings, or the heating element, which are items requiring periodic replacement, nor does it apply if the Varitemp® Heat Gun has been misused, abused, tampered with, or altered. At the end of the warranty period, Master Appliance shall be under no further obligation, expressed or implied. Some

states do not allow limitations on how long an implied warranty lasts, so the above limitation may not apply to you.

Master Appliance assumes no responsibility for and this warranty shall not cover any incidental or consequential damages from any defect in this product or its use. Some states do not allow the exclusion or limitation of incidental or consequential damages, so the above exclusion may not apply to you.

This warranty gives you specific rights and you may also have other rights which may vary from state to state.

For warranty repair a proof of purchase receipt or other appropriate proof of date is required with your return for warranty repair to Master Appliance. All warranty claims must be made to Master

Appliance and not the distributor. We decline responsibility where repairs have been made or attempted by others. Any different guarantee made by others is not authorized by us. If a warranty claim is to be made please return your Varitemp® Heat Gun prepaid, with proof of purchase and a note describing the problem to our Repair Department. See below.

For repair service we charge a flat rate fee. Please call Master Appliance for the flat rate charge, return your Varitemp® Heat Gun prepaid, with a note describing the problem to:

Master Appliance Corp.
 Attention: Repair Department
 2420 18th Street
 Racine, WI 53403
 Phone (262) 633-7791
 Fax (262) 633-9745

Description et introduction

Le Master Varitemp® Heat Gun est un pistolet à air chaud polyvalent de capacité élevée et de qualité industrielle. Doté de la puissance et du débit supérieurs propres aux appareils MASTER, il permet d'accomplir plus rapidement les tâches industrielles requérant des températures élevées.

Votre appareil Master Varitemp® est équipé d'un cadran électronique de température en continu qui règle le courant qui traverse l'élément de chauffage. Ceci

permet de régler les températures de sortie depuis la température ambiante jusqu'à un maximum de 450°C/1 000°F. Le bouton de commande Varitemp peut être verrouillé en place afin de pouvoir utiliser le même réglage à chaque reprise, si on le désire. Ceci évite les changements de réglage entre les cycles de production, ainsi que les changements de réglage accidentels.

Les pistolets à air chaud constituent une source de

chaleur sans flamme extrêmement élevée (jusqu'à 450°C/1 000°F). Comme pour tous les appareils qui dégagent des températures extrêmement élevées, indépendamment de la nature de votre application particulière, une prudence et un soin extrêmes s'imposent lors de l'utilisation de cet appareil. Nous vous recommandons donc d'accorder toute votre attention aux consignes de sécurité présentées dans ce manuel pour votre protection.

Caractéristiques

Dimensions longueur 203 mm x hauteur 242 mm x largeur 152 mm (8" x 9-1/2" x 6")
Diamètre de la buse 38 mm (1-1/2")
Diamètre du cylindre de protection 44 mm (1-3/4")
Longueur du cordon 1,83 m (6')

Modèles	Température		Volts	Amps max.	Watts max.	Vélocité	
	°C	°F				m/min (ft/min)	m ³ /min (ft ³ /min)
VT-750C	540	1000	120	14,5	1740	670,6 (2200)	0,48 (17)
VT-752C	400	750	220/240	7	1680	853,4 (2800)	0,59 (21)

Importantes consignes de sécurité

AVERTISSEMENT: CET APPAREIL CONSTITUE UNE SOURCE DE CHALEUR SANS FLAMME À TRÈS HAUTE TEMPÉRATURE. COMME POUR TOUS LES APPAREILS ÉLECTRIQUES, RESPECTEZ TOUJOURS LES CONSIGNES DE SÉCURITÉ ORDINAIRES POUR RÉDUIRE LES

RISQUES D'INCENDIE, D'ÉLECTROCUTION OU DE LÉSION CORPORELLE.

1) Lisez et veillez à bien comprendre les instructions présentées dans ce manuel avant d'utiliser l'appareil. *Conservez ce manuel comme référence.*

2) **AVERTISSEMENT:** Avec un pistolet à air chaud, comme pour tous les autres outils qui dégagent de la chaleur, ayez toujours un extincteur à portée de la main et observez toutes les précautions anti-incendie raisonnables.

Importantes consignes de sécurité (suite)

L'usage de ce pistolet à air chaud est déconseillé sur des surfaces **cachées** derrière les murs, les plafonds, les planchers, les intrados et autres cloisons, par exemple, qui renferment souvent des matériaux inflammables (tels que poussière, copeaux de bois, matière isolante, nids de rongeurs, etc..) susceptibles d'être enflammés par le pistolet à air chaud. Lors du travail dans de tels endroits, faites effectuer au pistolet à air chaud un mouvement de va-et-vient. Un arrêt ou une pause prolongée sur un point de la surface de travail peut enflammer le panneau ou le matériau situé derrière cette surface.

Votre pistolet à air chaud convient particulièrement bien au décapage de bois **massif** à moulures, tels que les garnitures d'intérieur, les moulures, les tournures, les portes, les balustrades et garnitures de porches et vérandas, etc.

Prêtez une attention soutenue lors du décapage des surfaces peintes. Les raclures, résidus et vapeurs de peinture à base de plomb sont extrêmement nocifs. Les raclures et les résidus peuvent être encastés dans le plancher et se répandent dans l'air via les méthodes de nettoyage ordinaires. Une fois déposés sur les surfaces, le contact de la main à la bouche peut avoir pour résultat l'ingestion de

plomb. Le décapage de la peinture doit s'effectuer seulement lorsqu'une ventilation adéquate est assurée (à l'aide par exemple d'un aérateur (en mode aspirant) ou en travaillant à l'extérieur dans la mesure du possible.

L'usage d'un masque protecteur à particules pendant le décapage de la peinture est recommandé. À défaut de respecter ce précaution vous risquez d'inhaler et d'ingérer du plomb.

3) Veillez à ne jamais inhaler ou avaler de peinture à base de plomb, sous quelque forme que ce soit. On trouve ce type de peinture dans de nombreux bâtiments anciens. La poussière, les raclures, résidus et vapeurs de peinture à base de plomb sont extrêmement nocifs. Pour éviter toute intoxication lors du décapage de surfaces revêtues de peinture à base de plomb, veillez à assurer une ventilation adéquate (à l'aide, par exemple, d'un aérateur aspirant) et à maintenir propre votre zone de travail. En présence de poussière ou de vapeurs, utilisez un masque à filtre à plomb. Dans la mesure du possible, travaillez à l'extérieur.

À défaut de suivre les précautions adéquates lors du traitement de peinture à base de plomb vous vous

exposerez à un risque de saturnisme. Pour plus de détails, voir les instructions présentées sous le titre «Décapage.»

- 4) **AVERTISSEMENT:** Afin de réduire les risques d'incendie ou d'électrocution, n'exposez jamais votre pistolet à air chaud à la pluie ou à l'humidité. Rangez-le à l'intérieur. Branchez-le seulement sur des prises mises à la terre.
- 5) N'utilisez aucun adaptateur de prise et n'ôtez en aucun cas la broche de terre de la fiche. Cet appareil est muni d'une fiche à 3 broches et d'un système de mise à la terre à 3 fils. Ne le branchez que sur des prises adéquatement mises à la terre.
- 6) Ne raccordez ce pistolet à air chaud qu'à des circuits de tension nominale adéquate afin d'éviter la surchauffe des circuits électriques.
- 7) Les pistolets à air chaud Master Varitemp émettent, par la buse, une chaleur pouvant atteindre jusqu'à 540°C (1 000°F). Ne dirigez jamais ce flux d'air chaud vers vos vêtements, vos mains ou tout autre partie de votre corps. N'utilisez jamais cet appareil comme sèche-cheveux.
- 8) Laissez refroidir l'orifice de la buse et son cylindre protecteur avant de les

Importantes consignes de sécurité (suite)

- toucher. En mode «HOT» [chaud], la buse dégage une température extrêmement élevée. Tenez toujours l'appareil par sa poignée ou utilisez le support permanent.
- 9) Faites fonctionner votre pistolet en mode «COLD» [froid] avant de l'éteindre. Il faut environ 3 minutes pour refroidir la buse et son cylindre protecteur.
 - 10) Évitez tout contact direct entre la buse et votre surface de travail; ne décapez pas la peinture avec la buse. Maintenez la buse à une distance d'au moins 25 mm (1 po).
 - 11) Veillez à la propreté de votre zone de travail. Désordre et encombrement favorisent les accidents ou les blessures.
 - 12) Tenez votre pistolet à air chaud hors de portée des enfants. Les personnes étrangères au travail en cours doivent se tenir à l'écart de la zone de travail. Ne les laissez toucher ni l'appareil ni sa rallonge.
 - 13) Utilisez cet appareil dans une zone bien aérée. Ne l'utilisez pas à proximité de liquides inflammables ou dans un milieu propice aux explosions (en présence de gaz, vapeurs ou poussière).
 - 14) Éliminez tous les matériaux hautement inflammables et autres débris de la zone de travail.
 - 15) Portez des lunettes de protection pendant toute la durée du travail.
 - 16) Quand vous utilisez une rallonge, utilisez seulement un cordon à 3 fils avec mise à la terre, d'une capacité minimale de calibre 14. Nous recommandons les cordons pour usage extérieur reconnus par les Underwriters Laboratories (UL) aux États-Unis ou par l'Association Canadienne de Normalisation (ACNOR) au Canada. Les cordons pour usage extérieur conviennent également aux applications intérieures.
 - 17) Ne soumettez le cordon à aucun traitement abusif. Ne débranchez jamais l'appareil en tirant sur le cordon et ne le portez jamais en le tenant par le cordon.
 - 18) N'enlevez pas le support réglable de l'appareil. Lorsque vous ne le tenez pas à la main, posez l'appareil sur une surface plate. Placez le cordon de manière à éviter le renversement de l'appareil.
 - 19) Ayez toujours un extincteur plein à portée de la main.
 - 20) Surveillez l'appareil en permanence lorsqu'il est allumé ou en cours de refroidissement.
 - 21) Restez alerte. N'utilisez pas cet appareil quand vous êtes fatigué. Ayez recours à votre bon sens et accordez une attention soutenue à votre travail.
 - 22) Rangez votre appareil de manière adéquate. Laissez-le refroidir avant de le ranger. Rangez-le dans un endroit sec, à une certaine hauteur et sous clé. Mettez-le hors de portée des enfants.
 - 23) Débranchez toujours l'appareil avant de procéder à son entretien. Utilisez seulement des pièces de rechange de marque Master Appliance. Nous recommandons de faire effectuer tous les travaux d'entretien par un technicien qualifié et expérimenté dans la réparation des outils électriques, un organisme d'entretien qualifié, ou par notre personnel technique.
 - 24) **AVERTISSEMENT: LORSQU'IL EST UTILISÉ POUR LE SOUDAGE OU POUR UN AUTRE USAGE SEMBLABLE, CET APPAREIL DÉGAGE DES PRODUITS CHIMIQUES QUE L'ÉTAT DE CALIFORNIE ESTIME CAPABLES DE CAUSER LE CANCER ET DES MALFORMATIONS CONGÉNITALES OU D'AUTRES DÉSORDRES DE REPRODUCTION.**

Envoyez votre appareil à l'adresse suivante:

Master Appliance Corp.
Attn: Repair Department
2420 - 18th Street
Racine, WI 53403 U.S.A.

Mode d'emploi

Votre pistolet à air chaud Master Varitemp® est un appareil de capacité élevée et de qualité industrielle. Sa puissance et son débit élevés vous permettront d'accomplir plus rapidement davantage de tâches de chauffage.

Cet appareil dégage un flux rapide d'air chaud pouvant servir à activer les adhésifs, plier et façonner les matières plastiques, sécher les résines époxydes, ébavurer les plastiques, dégivrer les bobines gelées, sécher les négatifs et les pièces, chauffer les solides et les liquides, desserrer les écrous et les boulons, enlever les dalles de carrelage et le mastic de soutien des vitres, réparer les vinyles, rétracter les tubes isolants et les films d'emballage, ramollir les matières dures et décaper les surfaces peintes. C'est la solution idéale, chaque fois que vous avez besoin d'une source de chaleur rapide et portable.

La quantité adéquate de chaleur convenant à chaque type d'application dépend du réglage de la chaleur, de la distance existant entre la buse et la surface de travail et du temps durant lequel la chaleur est appliquée à la surface de travail.

Nous vous recommandons, avant chaque type d'application, d'essayer l'appareil sur une pièce de rebut. Approchez prudemment l'appareil de la surface jusqu'à obtention de la combinaison adéquate de réglage de la chaleur, de distance jusqu'à la surface de travail et de durée d'application de la chaleur.

Déplacez l'appareil d'un mouvement de va-et-vient doux, à moins qu'une concentration de chaleur ne soit souhaitable.

Lors du travail dans un conteneur fermé, tel qu'un tunnel de thermorétraction ou une enceinte spéciale, le pistolet à air chaud doit être constamment alimenté en air neuf, et un orifice de taille similaire doit assurer l'évacuation de l'air chaud. Une enceinte hermétiquement close peut, du fait de la chaleur extrême, endommager le pistolet ou provoquer une panne.

Fonctionnement du pistolet Master Varitemp®

- 1) Branchez l'appareil sur une prise à tension nominale adéquate.
- 2) Placez l'interrupteur à bascule en position «HOT» [chaud]. Tournez la commande de chaleur au réglage désiré. Le pistolet atteindra sa température de fonctionnement.
- 3) Pour fixer le réglage, retirez le bouton en desserrant la vis de réglage avec une clé Allen de 1,19 mm (3/64") . Tournez l'arbre de commande au réglage de chaleur désiré et serrez le contre-écrou.
- 4) Le support réglable de l'appareil permet une rotation de la buse depuis une position presque horizontale jusqu'à la verticale.
- 5) Pour éteindre le pistolet à air chaud après le travail, placez l'interrupteur en position «COLD» [froid]. Laissez l'appareil fonctionner ainsi pendant environ trois minutes, de façon à laisser refroidir le moteur et la buse.
- 6) Placez l'interrupteur en position «OFF» [arrêt].

Applications typiques

Décapage des surfaces peintes

Outre ses nombreuses autres applications, le pistolet à air chaud Master Varitemp® est devenu un outil populaire de décapage des surfaces peintes. Sa puissance et son débit nominaux supérieurs en font l'outil de prédilection de nombreux entrepreneurs de restauration et de rénovation pour les travaux intensifs de décapage.

Pour les applications professionnelles de décapage, nous recommandons d'utiliser seulement les modèles HG-501A (120V), HG-501A-C (120V au Canada) ou HG-502A (220/240V).

Consignes de sécurité:

1) **AVERTISSEMENT:** Lors de l'utilisation d'un pistolet à air chaud, comme pour tous les outils de chauffage, conservez un extincteur à portée de la main et prenez toutes les précautions anti-incendie raisonnables.

L'usage de ce pistolet à air chaud est déconseillé sur les surfaces **creuses** (planches de revêtement de mur extérieur, murs intérieurs, intrados, panneaux et cloisons, etc.). Ces surfaces renferment souvent des matériaux inflammables tels que poussière, copeaux de bois, matière isolante, nids de rongeurs et autres débris susceptibles de prendre feu.

Votre pistolet à air chaud convient le mieux au décapage de bois **massif** à moulures, tels que les garnitures d'intérieur, les portes, balustrades et garnitures de porches et vérandas, etc.

Lors du décapage de surfaces peintes, veillez à ne jamais interrompre le mouvement de va-et-vient du pistolet. Un arrêt ou une pause prolongée sur un point de la surface de travail peut enflammer la surface ou le matériau situé derrière cette surface.

2) Veillez à ne jamais inhaler ou avaler de peinture à base de plomb, sous quelque forme que ce soit. On trouve ce type de peinture dans de nombreux bâtiments anciens. La poussière, les raclures, résidus et vapeurs de peinture à base de plomb sont extrêmement nocifs. Pour éviter toute intoxication lors du décapage de surfaces revêtues de peinture à base de plomb, veillez à assurer une ventilation adéquate (à l'aide, par exemple, d'un aérateur aspirant), et à maintenir propre votre zone de travail. En présence de poussière ou de vapeurs, utilisez un masque à filtre à plomb. Dans la mesure du possible, travaillez à l'extérieur.

À défaut de suivre les précautions adéquates lors du traitement de peinture à base de plomb vous vous exposerez à un risque de saturnisme. Pour plus de détails, voir les instructions présentées sous le titre «Décapage.»

- 3) N'utilisez aucun décapant chimique de peintures. Ces produits sont inflammables et peuvent dégager des vapeurs nocives.
- 4) Veillez à assurer une ventilation adéquate (à l'aide, par exemple, d'un aérateur aspirant) et veillez à la propreté de votre zone de travail.
- 5) Portez des gants et des lunettes de protection pendant toute la durée du travail.
- 6) Gardez un extincteur plein à portée de la main.
- 7) Restez alerte, accordez une attention soutenue à votre travail, et ayez recours à votre bon sens.

Instructions DeSécurité Lire Ces Instructions

ATTENTION: Certaines surfaces cachées se trouvant derrière murs, plafonds, sols, plaques introdos ou autres panneaux peuvent contenir des matériaux inflammables que le pistolet à air chaud risque de calciner lors du travail dans ces endroits. La calcination de ces matériaux pourrait passer inaperçue et provoquer des dommages ou blesser des personnes. Ne pas utiliser en cas de doute sur ces dangers. Le travail dans de telles conditions doit se faire en bougeant le pistolet à air chaud avec un mouvement de va et-vient. S'attarder ou s'arrêter sur un point pourrait mettre le feu au panneau ou au matériel qui est derrière. Le pistolet à air chaud s'utilise, dans ce cas, sur basse température (LOW).

Décaper la peinture

ATTENTION: Le décapage se fait avec un soin extrême. Les pelures, résidus et vapeurs de peinture peuvent contenir du plomb, qui est un poison. Toute peinture datant d'avant 1977 peut contenir du plomb et la peinture appliquée avant 1950 dans une maison d'habitation contient certainement du plomb. Une fois que le plomb s'est déposé sur les surfaces, il est possible d'en ingérer en portant la main à la bouche. Le simple fait d'être exposé à une quantité même minime de plomb peut entraîner d'irréparables lésions

cérébrales et endommagements du système nerveux auxquels les enfants en bas âge et les bébés à naître sont particulièrement vulnérables.

Avant de commencer toute opération de décapage de peinture il faut déterminer si la peinture que vous allez enlever contient du plomb. Vous pouvez le faire faire à l'office régional de santé ou par un expert qui utilise un analyseur de peinture pour vérifier le contenu en plomb de la peinture à enlever.

LA PEINTURE À BASE DE PLOMB DOIT ÊTRE ENLEVÉE PAR UN PROFESSIONNEL ET NE DEVRAIT PAS ÊTRE ENLEVÉE AU PISTOLET À AIR CHAUD.

Toute personne décapant de la peinture devrait suivre les recommandations suivantes.

- 1) Amenez la pièce à travailler dehors. Si ce n'est pas possible, il faut une ventilation constante du lieu de travail. Ouvrez les fenêtres et placez un ventilateur extracteur sur une d'entre-elles. Assurez-vous que le ventilateur déplace l'air de l'intérieur vers l'extérieur.
2. Enlevez ou couvrez les moquettes, tapis, meubles, vêtements, ustensiles de cuisine et conduites d'air.
3. Étendez des bâches dans

l'aire de travail afin de collecter tous éclats ou pelures de peintures. Portez des vêtements de protection, tels chemises de travail, combinaisons, casquettes.

- 4) Ne travaillez que dans une pièce à la fois. Il faut enlever les meubles ou les placer au centre de la pièce et les recouvrir. Les lieux de travail devraient être coupés du reste de l'habitation par des bâches pendues sur les portes.
- 5). Ni enfant, ni femme enceinte, potentiellement enceinte ou allaitant au sein ne doivent être présents sur les lieux de travail tant que le travail n'est pas fini et tout le nettoyage terminé.
- 6) Portez un masque respiratoire protecteur ou un masque respiratoire à filtre à double protection (poussières et vapeurs) homologué par l'Administration de la Santé et de la Sécurité au Travail (OSHA), l'Institut National de la Sécurité et de la Santé (NIOSH) ou le United States Bureau of Mines. Ces masques et filtres changeables s'obtiennent facilement dans les grandes quincailleries. Assurez-vous que le masque est à votre taille. La barbe et les poils du visage peuvent empêcher la bonne adhésion du masque. Changez souvent de filtre.

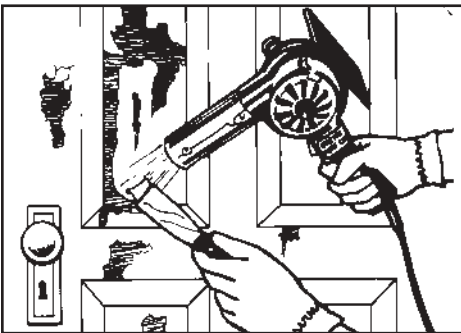
Instructions de securite lire ces instructions (suite)

- 7) Utilisez le pistolet à air chaud avec précaution. Le pistolet à air chaud doit toujours être en mouvement car la chaleur excessive cause des vapeurs que l'opérateur peut respirer.
- 8) Aucune nourriture ou boisson ne doivent se trouver sur les lieux de travail. Lavez vous les mains, les bras et le visage et rincez vous la bouche avant de manger ou de boire. Ne pas fumer, mâcher de chewing-gum ou priser de tabac sur les lieux de travail.
- 9) Nettoyez toute la peinture décapée ainsi que la poussière en essuyant avec une serpillière humide. Utiliser un torchon humide pour nettoyer les murs, rebords et toute autre surface où la peinture ou la poussière se sont déposées. **NE PAS BALAYER, ÉPOUSSETER À SEC OU PASSER L'ASPIRATEUR.** Utiliser un détergent riche en phosphate ou en trisodium phosphate (TSP) pour laver et essuyer les surfaces.
- 10) À la fin de chaque séance de travail, mettre les éclats et les débris dans un sac en plastique double que vous fermerez avec un ruban adhésif ou un fil de torsion et jetterez de façon adéquate.
- 11) Retirer les vêtements de protection et chaussures de travail sur les lieux de travail et évitez de porter de la poussière dans le reste de l'habitation. Lavez les habits de travail séparément. Essayez les chaussures avec un chiffon humide qui sera lavé avec les habits de travail. Lavez vous les cheveux et le corps complètement avec de l'eau et du savon.

CONSERVEZ CES INSTRUCTIONS

Applications typiques

Décapage



- 1) Pour décaper une surface peinte, allumez l'appareil et tenez-le à environ 24 mm (1 po) de la surface à décaper. L'expérience vous aidera à déterminer la distance et la vitesse de décapage adéquates. Il est préférable de maintenir le pistolet à une certaine distance de la surface et de l'en approcher lentement. Le ralentissement de la vitesse sera compensé par la largeur accrue de la surface ramollie. La chaleur pénétrera également plus en profondeur.
- 2) La température de sortie peut être réglée à l'aide du volet situé sur le côté de l'appareil. Lorsque le volet est ouvert, la température est d'environ 260°C/500°F à 25 mm (1 po) de l'orifice de la buse. Lorsque le volet est fermé, la température atteint environ 400°C/750°F. Essayez différents réglages afin de déterminer le plus efficace suivant le type de peinture rencontré.
- 3) Lorsque la peinture commence à se boursoufler et à former des bulles, déplacez lentement et uniformément le pistolet sur la surface et commencez immédiatement à décaper avec un grattoir (un grattoir mural de 50 mm [2"] assure les meilleurs résultats) pour éliminer la peinture décollée. Préchauffez le grattoir tout en chauffant la surface peinte pour accélérer le décapage.

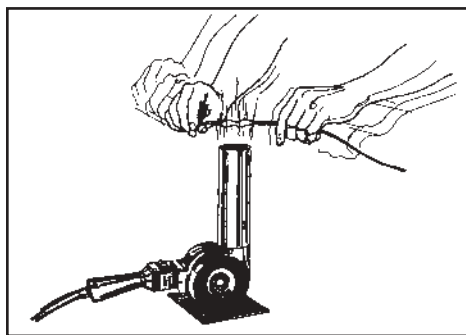
Applications typiques (suite)

a. Le décapage à l'air chaud est rendu possible grâce au ramollissement des peintures organiques sous l'effet de températures élevées. Une fois ramollie, la peinture peut être aisément soulevée, sans abîmer la surface qu'elle recouvrait.

b. Pour décaper les rainures de moulures, vous pouvez créer vos propres grattoirs. Les vieux tournevis à tête émouluée et les couteaux à linoléum sont souvent utiles.

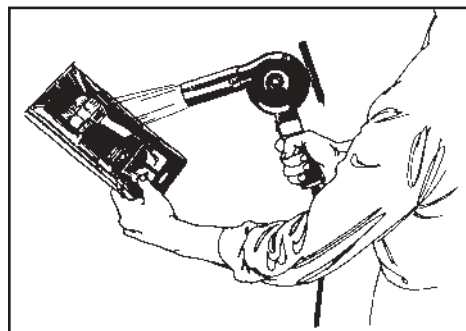
4) Le décapage achevé, placez l'interrupteur à bascule en position «COOL» [froid] et laissez la soufflante fonctionner ainsi pendant quelques minutes.

Rétraction des tubes isolants



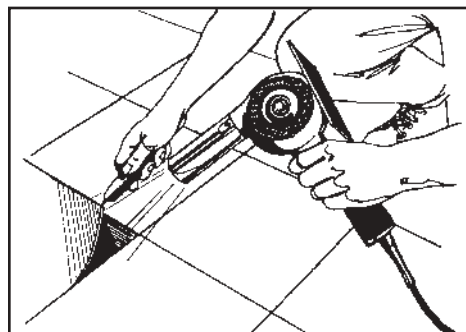
Posez l'appareil sur son support afin de garder les deux mains libres. Glissez le tube sur la zone à isoler. Placez-le au-dessus du flux d'air chaud et déplacez-le d'un mouvement latéral constant jusqu'à ce qu'il se rétracte. Retirez-le du flux d'air chaud.

Emballage sous film rétractable



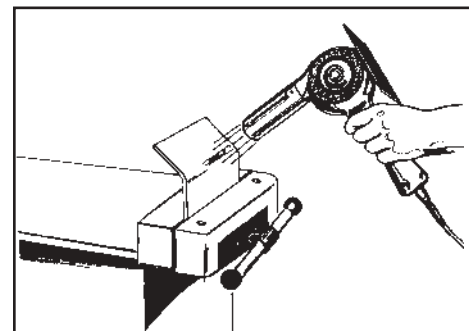
Après avoir scellé le film rétractable autour du produit à emballer, percez un petit trou pour permettre à l'air emprisonné de s'échapper. Dirigez ensuite le flux d'air chaud vers l'emballage en effectuant un mouvement de va-et-vient jusqu'à rétraction uniforme du film.

Décollage des dalles de carrelage



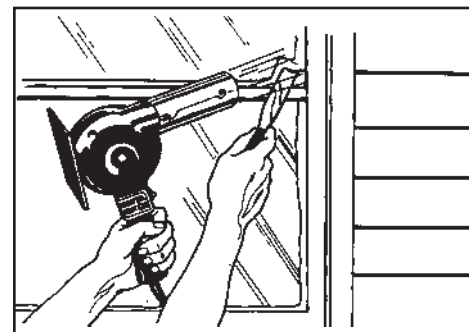
Dirigez le flux d'air chaud vers la dalle à décoller en effectuant un mouvement de va-et-vient de façon à en ramollir le dos adhésif. Insérez un couteau à mastic sous la dalle et soulevez-la.

Pliage et façonnage des matières plastiques



Commencez par déterminer la technique à employer en faisant un essai sur un morceau de plastique à jeter. Fixez la pièce à traiter dans un support adéquat. Faites passer le pistolet d'un mouvement de va-et-vient le long de toute la ligne à plier jusqu'à ce que le plastique se ramollisse. Pliez-le selon la position voulue.

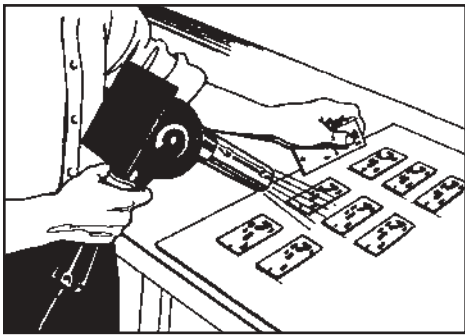
Enlèvement de mastic



Pour enlever le mastic soutenant une vitre brisée, commencez par retirer soigneusement la vitre. Pour enlever le mastic de soutien d'une vitre intacte, veillez à diriger le flux d'air chaud à l'écart du verre pour éviter qu'il se fêle sous l'effet du choc thermique. Le verre peut être facilement protégé à l'aide d'un large couteau à mastic. Agitez le pistolet en direction du mastic jusqu'à ce que celui-ci se ramollisse. Enlevez-le ensuite à l'aide d'un couteau à mastic.

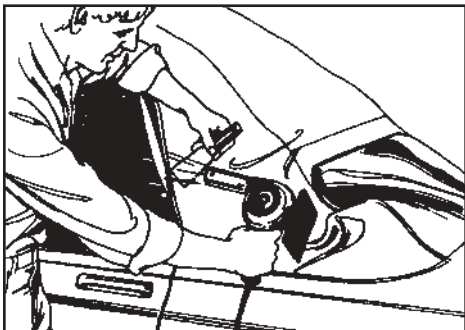
Applications typiques (suite)

Séchage rapide de pièces



Toutes sortes de pièces et de matières peuvent être séchées rapidement à l'aide du pistolet, en dirigeant le flux d'air chaud d'un mouvement de va-et-vient vers la pièce à traiter.

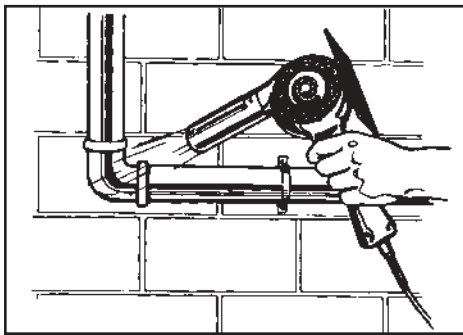
Extension, façonnage et installation des vinyles



Dirigez le flux d'air chaud vers la pièce de vinyle à traiter et agitez le pistolet d'un mouvement de va-et-vient.

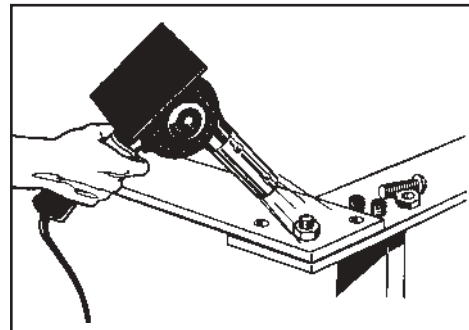
Étendez et façonnez le vinyle jusqu'à élimination des ridules. **NE DIRIGEZ PAS** le pistolet vers le verre.

Dégivrage de bobines ou tuyaux gelés



Dirigez le flux d'air chaud vers la partie gelée en effectuant un mouvement de va-et-vient jusqu'à ce que la pièce soit dégelée.

Desserrage des boulons et écrous



Dirigez brièvement le flux d'air chaud vers le boulon ou l'écrou à desserrer. La chaleur provoquera l'expansion du métal. Écartez le flux d'air chaud de la pièce. Desserrez l'écrou ou le boulon à l'aide d'une clé appropriée.

Si vous vous posez la moindre question au sujet de votre application particulière, n'hésitez pas à appeler notre Service clients au (262) 633-7791.

Toutes les réparations et opérations d'entretien autres que celles recommandées dans ce manuel doivent être accomplies par un technicien qualifié et expérimenté dans la réparation des outils électriques, un organisme d'entretien qualifié, ou par le Service d'entretien de Master Appliance Corp.

Pour un service d'entretien et de réparation rapide et efficace, renvoyez votre appareil à:

Master Appliance Corp.

Attn.: Repair Department
2420 - 18th Street
Racine, WI 53403
U.S.A.

Veillez joindre à votre colis une note décrivant le problème rencontré ainsi que votre numéro de téléphone.

AVERTISSEMENT:

Débranchez toujours votre appareil avant de procéder à une opération d'entretien ou de réparation. N'utilisez que des pièces de rechange de marque Master Appliance identiques à celles enlevées.

Balais du moteur

- 1) Débranchez l'appareil avant d'en ôter les balais.
- 2) Vérifiez les balais régulièrement (au moins toutes les 100 heures d'utilisation). Si leur longueur est inférieure à 3 mm (1/8"), remplacez-les immédiatement.

- 3) Enlevez les balais un à la fois. Dévissez la bande de protection située sur le côté du boîtier, renversez l'appareil de façon à ce que l'orifice soit dirigé vers le bas, et laissez tomber le balai et le ressort.
- 4) Remplacez toujours les ensembles de balais en même temps (2 balais et 2 ressorts) afin d'assurer une tension uniforme. En cas de remise en place de balais partiellement usés, ajustez la courbure des balais à celle du collecteur.
- 5) Lors du remplacement, introduisez le nouveau balai puis le ressort dans l'orifice, et revissez la bande de protection.
- 6) Lorsque le second ensemble de balais de rechange est usé, retournez l'outil à un technicien de réparation qualifié et expérimenté dans la réparation des outils électriques, un organisme d'entretien qualifié ou le Service d'entretien de Master Appliance Corp. pour nettoyer l'intérieur de l'appareil, régler le collecteur et effectuer toute autre opération nécessaire.
- 7) Utilisez toujours des pièces de rechange Master Appliance d'origine.

Éléments de chauffage

L'usage abusif et le claquage éventuel de l'élément de chauffage peuvent résulter de l'une des conditions suivantes:

- 1) Vitesse inadéquate de la soufflante
- 2) Haute tension de ligne
- 3) Accessoire inapproprié
- 4) Placement incorrect de l'élément ou des feuilles isolantes au mica.
- 5) La buse est trop rapprochée de la pièce de travail en cours de réchauffement (moins de 25 mm [1 po]).

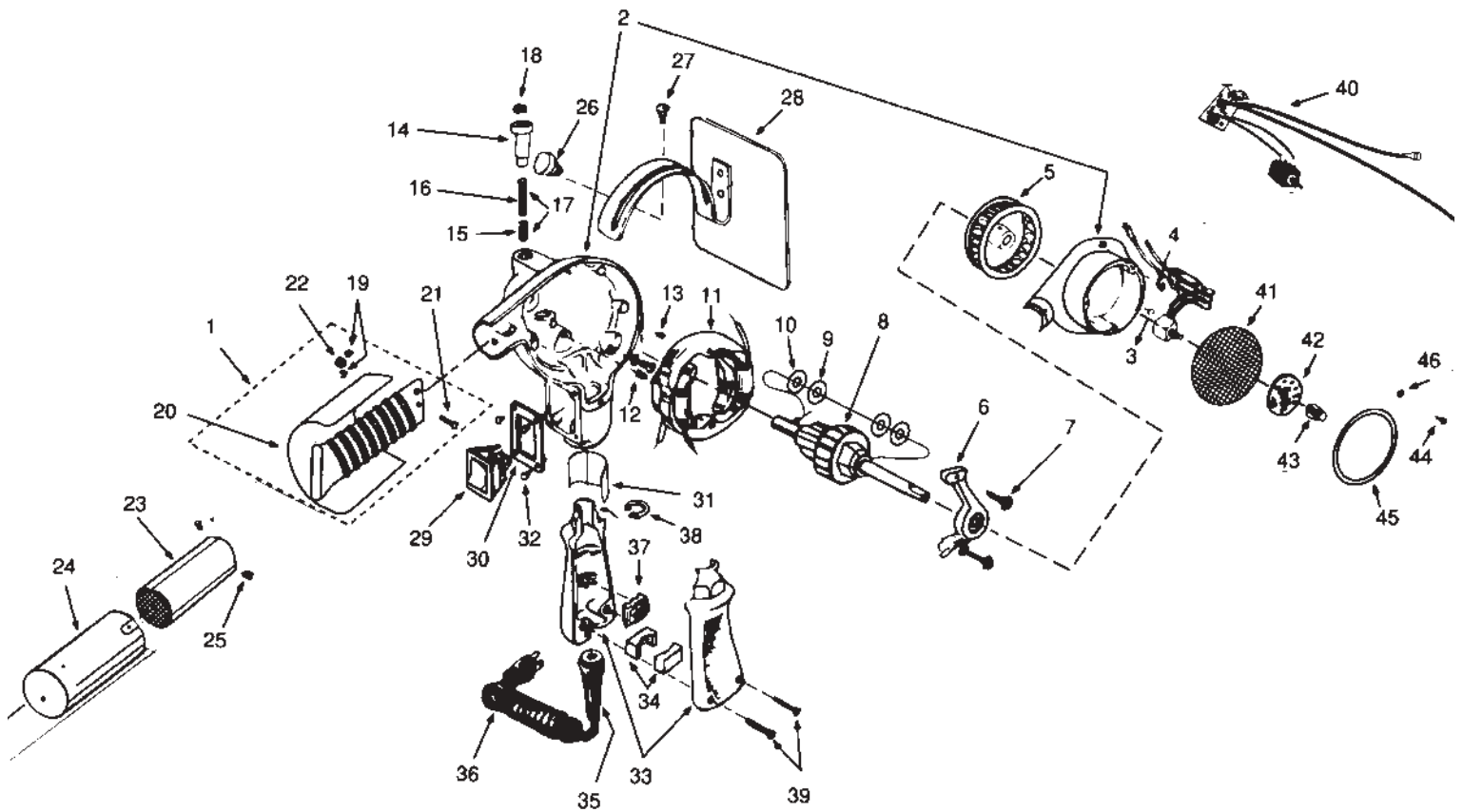
Lubrification

Les paliers sont huilés en usine et ne requièrent aucune autre lubrification.

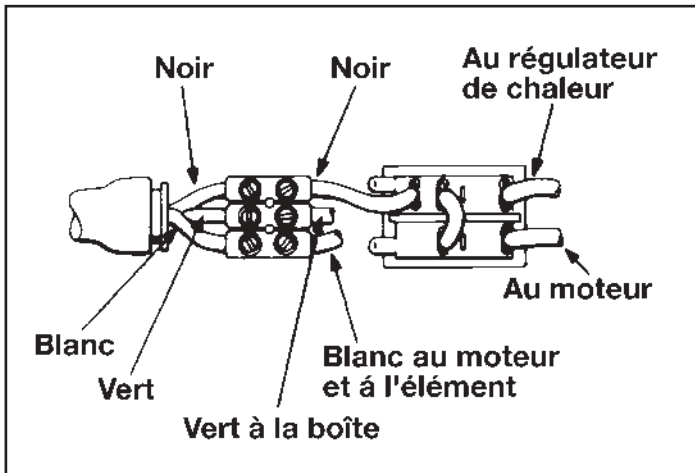
Nettoyage

Débranchez le pistolet à air chaud avant de le nettoyer. Nettoyez l'extérieur de l'appareil à l'aide d'un savon doux et un chiffon humide. N'utilisez pas d'autres produits de nettoyage: térébenthine, essence, diluant de vernis ou de peinture ou autres dissolvants pouvant contenir des substances chimiques susceptibles d'endommager les pièces en plastique et autres matières isolantes. Ne plongez jamais l'appareil dans un liquide; ne laissez jamais de liquide pénétrer à l'intérieur. Veillez à ce qu'aucun débris n'obstrue les orifices de ventilation et autres.

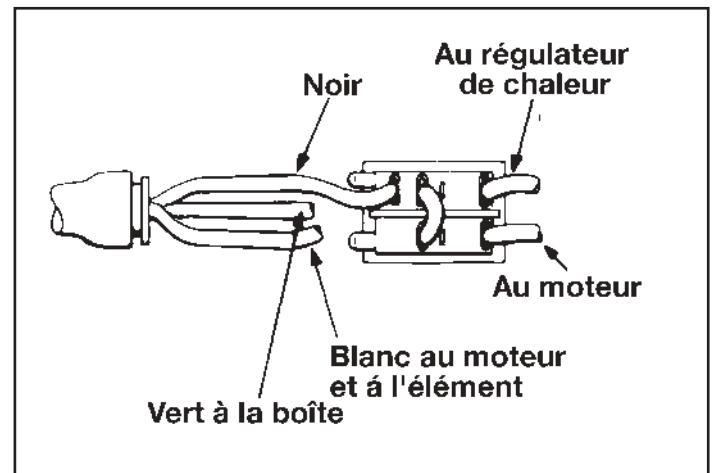
Vue en éclaté



Schémas de câblage de l'interrupteur



Modèle VT-752 seulement



Modèle VT-750C

Pièces de rechange pour le Master Varitemp® Heat Gun (Modèles VT)

Les pièces de rechange et accessoires du pistolet à air chaud Master Varitemp® sont conçus et fabriqués conformément aux spécifications précises de Master Appliance. Les pièces de rechange et accessoires

d'autres fabricants ne sont pas produits selon ces spécifications précises et peuvent dès lors être source de problèmes - voire de dégâts - pour un pistolet à air chaud Master Varitemp®. Master Appliance n'assumera

aucune responsabilité ou obligation en cas de difficultés liées à l'utilisation de pièces de rechange ou d'accessoires d'autres marques sur un pistolet à air chaud Master Varitemp®.

N° d'article	N° de pièce	Description
1	HAS-043K	Élément de chauffage, 120V (pour modèle VT-750C)
	HAS-014K	Élément de chauffage, 220/240V (pour modèle VT-752C)
2	30269	Ensemble complet boîtier et couvercle
3	SRW-345	Vis
4	SRW-346	Vis
5	BLW-001	Rotor de la soufflante
6	BRY-141	Support de palier supérieur
7	SRW-350K	Vis du support de palier (jeu de 2)
8	ARM-607	Armature avec anneaux de retenue, 120V (pour modèle VT-750C)
	ARM-543	Armature avec anneaux de retenue, 220/240V (pour modèle VT-752C)
9	RIN-026K	Anneau de retenue (jeu de 2)
10	WHR-003KA	Rondelle (jeu de 2)
11	FLD-484	Champ, 120V (pour modèle VT-750C)
	FLD-450	Champ, 220/240V (pour modèle VT-752C)
12	SRW-351K	Trousse de vis de terre et rondelle d'arrêt
13	SRW-347K	Vis de réglage de porte-balais (jeu de 2)
14	BRH-040K	Porte-balais pour moteur, 120V (jeu de 2)
	BRH-025K	Porte-balais pour moteur, 220/240V (jeu de 2)
15	BRU-089K	Balai (jeu de 2)
16	SPG-049K	Ressort de balai (jeu de 2)
17	BAS-103K	Balai et ressort (jeu de 2)
18	BRC-005K	Bande de protection (jeu de 2)
19	NUT-017K	Écrou de l'élément de chauffage (jeu de 2)
20	INN-032	Mica
21	SRW-346	Vis de montage de l'élément de chauffage
22	SPA-025	Rondelle de montage en caoutchouc
23	NAS-006	Ensemble buse avec écran et rondelle
24	SHL-004	Protège-buse
25	SRW-349K	Vis de buse (jeu de 3)
26	SRW-141	Boulon à serrer
27	SRW-321	Boulon à embase
28	BSY-005	Ensemble support de pistolet à air chaud
29	SWH-019	Interrupteur basculant à ressort
30	PLT-281	Plaque d'interrupteur
31	INN-101	Barrière d'isolation
32	SRW-348K	Vis de plaque d'interrupteur (jeu de 4)
33	HDE-013	Poignée
34	GRT-045	Pièce de fixation de cordon (Paire)
35	GRT-044	Protège-câble
36	51211	Cordon pour modèle VT-750C
	51265	Cordon pour modèle VT-752C

Pièces de rechange (suite)

N° d'article	N° de pièce	Description
37	TMB-003	Borne serre-fils (pour modèle VT-752C seulement)
38	RIN-032	Anneau
39	SRW-344K	Vis (jeu de 2)
40	30582	Régulateur de chaleur, 120V (pour modèle VT-750C)
	30583	Régulateur de chaleur, 220/240V (pour modèle VT-752C)
41	50699	Filtre à air
42	50725	Cadran pour modèle VT-752C
	51527	Cadran pour modèle VT-750C
43	50723	Bouton
44	SRW-348KA	Vis de montage du filtre à air (jeu de 3)
45	50921	Anneau de garnissage
46	56054K	Rondelle d'arrêt (jeu de 3)

Garantie totale d'un an

Votre Master Varitemp® Heat Gun a été soigneusement testé et inspecté avant de quitter l'usine. Il est garanti contre tout défaut de matériel ou de fabrication révélé dans des conditions d'usage et d'entretien normales pendant une période d'un an à compter de la date d'achat de l'appareil. En cas de défaut de matériel ou de fabrication, nous réparerons ou remplacerons gratuitement, à notre gré, toute pièce qui, d'après notre jugement, présente un tel défaut.

Cette garantie ne couvre ni les accessoires, ni les balais, ni le collecteur, ni les paliers, ni l'élément de chauffage, qui sont des articles nécessitant un remplacement périodique. Elle ne sera pas non plus applicable en cas d'usage inadéquat ou abusif, de modification ou de manipulation. Au terme de la période de garantie, la société Master Application ne sera plus tenue par aucune obligation de garantie, expresse ou tacite. Certaines provinces interdisent de limiter

la durée d'une garantie implicite, de sorte que la limitation ci-dessus ne s'applique peut-être pas à votre cas.

Master Appliance décline toute responsabilité pour, et cette garantie ne couvre, aucun dommage fortuit ou consécutif dû à un défaut de ce produit ou à son utilisation. Certaines provinces interdisent l'exclusion ou la limitation des dommages fortuits ou consécutifs; il est donc possible que l'exclusion ci-dessus ne s'applique pas à votre cas.

La présente garantie vous assure le bénéfice de droits précis, éventuellement complétés par d'autres, suivant la législation provinciale applicable.

Réparation aux termes de la garantie: Un reçu ou toute preuve d'achat datée appropriée est exigée pour le renvoi de votre appareil à Master Appliance. Toute réclamation aux termes de la garantie doit être adressée à

Master Appliance et non au concessionnaire. Nous déclinons toute responsabilité pour les réparations ou tentatives de réparation exécutées par des tiers. Nous n'autorisons aucune garantie différente offerte par des tiers. En cas de réclamation aux termes de la garantie, veuillez renvoyer votre appareil Master Varitemp® en port payé, accompagné d'une preuve d'achat et d'une note décrivant le problème rencontré à notre Département entretien. Voir ci-dessous.

Réparation: Nous facturons un taux forfaitaire. Veuillez demander le taux forfaitaire à Master Appliance et renvoyer votre appareil Master Varitemp® en port payé, accompagné d'une note décrivant le problème à:

Master Appliance Corp.
Attention: Repair Department
2420 - 18th Street
Racine, WI 53403 U.S.A.

Téléphone: (262) 633-7791
Télécopieur: (262) 633-9745

Descripción e introducción

La Master Varitemp® Heat Gun es una pistola de aire caliente diseñada con calidad industrial y construida para usos múltiples y trabajos pesados. Dotados de mayor potencia y un flujo de aire extra fuerte, nuestros modelos MASTER realizan con mayor rapidez los trabajos industriales que requieren altas temperaturas.

Su Master Varitemp® Heat Gun está equipada con un disco-cuadrante progresivo electrónico de temperatura que regula la corriente que

circula por el elemento calefactor. Esto permite regular las temperaturas de salida desde la temperatura ambiente hasta 540°C (1000°F). La perilla de control de la Master Varitemp puede fijarse en posición para que se pueda usar la misma regulación de temperatura una vez tras otra, si así se desea. Esto evita los cambios de regulaciones entre las tareas de producción, así como los cambios accidentales en las regulaciones de temperaturas.

Las pistolas de aire caliente son una fuente de calor, a muy elevada temperatura y sin llamas (hasta 540°C/ 1000°F). Como con cualquier otro producto que genera temperaturas extremadamente elevadas, independientemente del tipo de aplicación, siempre tome las debidas precauciones de seguridad al utilizar esta herramienta. Para su protección, recomendamos que se preste atención especial a las instrucciones de seguridad presentadas en este manual.

Especificaciones

Tamaño	longitud 203 mm x altura 242 mm x anchura 152 mm (8" x 9-1/2" 6")
Diámetro de la boquilla	38 mm (1-1/2")
Diámetro del protector	44 mm (1-3/4")
Longitud del cable eléctrico	1,83 m (6 pies)

Modelos	Temperatura					Velocidad	
	°C	°F	Voltios	Amperios máx.	Vatios máx.	m/min (ft/min)	m ³ /min (ft ³ /min)
VT-750C	540	1000	120	14,5	1740	670,6 (2200)	0,48 (17)
VT-752C	400	750	220/240	7	1680	853,4 (2800)	0,59 (21)

Importantes instrucciones de seguridad

AVISO: ESTE PRODUCTO ES UNA FUENTE DE CALOR, A MUY ELEVADA TEMPERATURA Y SIN LLAMAS. COMO CON CUALQUIER HERRAMIENTA ELÉCTRICA, SIEMPRE OBSERVE LAS PRECAUCIONES DE SEGURIDAD PARA

REDUCIR LOS RIESGOS DE INCENDIO, DE CHOQUE ELÉCTRICO O DE LESIÓN PERSONAL.

1) Antes de usar esta herramienta, lea y comprenda este manual de instrucciones. *Guarde este manual para futura referencia.*

2) **AVISO:** Con una pistola de aire caliente, igual que con cualquier otra herramienta de calefacción, tenga a mano un extinguidor de incendios y observe todas las precauciones razonables contra incendios.

Importantes instrucciones de seguridad (continuación)

No recomendamos usar esta pistola de aire caliente sobre superficies **escondidas** como detrás de paredes, cielos rasos, pisos, tablas de soffits y otros paneles. Estas superficies pueden contener materiales inflamables (como polvo, astillas de madera, material aislante, nidos de roedores, etc.), los cuales podrían ser inflamados por el calor de la pistola de aire caliente. Al trabajar sobre estas superficies, siempre mantenga la pistola de aire caliente con un movimiento continuo hacia adelante y hacia atrás. Detenerse o prolongar una pausa en un punto determinado podría inflamar el panel sobre el cual se trabaja o el material detrás del mismo.

El mejor uso para su pistola de aire caliente es el de remover la pintura de obras de madera **sólida** con sus entrantes y salientes tales como adornos interiores, molduras, piezas torneadas, puertas, balaustres, adornos de portales, etc.

Hay que tener cuidado al quitar pintura. Los residuos, peladuras y vapores de pintura pueden contener plomo, lo cual es venenoso. Las peladuras y los residuos pueden incrustarse en los pisos y formar parte del aire mediante los métodos normales de limpieza. Una vez depositados sobre superficies, el contacto de la mano a la boca puede producir la ingestión del

plomo. La remoción de pintura sólo debe realizarse con ventilación adecuada, como sería usando un ventilador (en el modo extractor) o moviendo el trabajo al exterior, cuando sea posible.

Al remover pintura, recomendamos que use una máscara contra partículas. Dejar de observar esta precaución podría resultar en la inhalación e ingestión de plomo.

- 3) No respire los vapores o trague en forma alguna las pinturas con base de plomo. Muchas casas antiguas y otros edificios contienen pinturas con base de plomo. Los residuos, peladuras, polvo y vapores de pintura con base de plomo son extremadamente venenosos. Al remover este tipo de pintura, evite las posibilidades de envenenamiento con plomo [saturnismo] empleando una ventilación adecuada (como un ventilador de ventana en su modo extractor) y conservando un área de trabajo limpia. Ante la presencia de polvo o vapores de plomo, use un dispositivo respirador diseñado para filtrar plomo. Siempre que sea posible, mueva el trabajo al exterior.

La negligencia en tomar las precauciones de seguridad adecuadas al trabajar con pinturas a base de plomo, podría conducir al envenenamiento con plomo [saturnismo]. Para

información adicional, vea nuestras "Instrucciones para remover pintura."

- 4) **AVISO:** Para reducir el riesgo de incendio o de choque eléctrico, no exponga su pistola de aire caliente a la lluvia o humedad. Guárdela bajo techo. Conecte la herramienta solamente a los tomacorrientes conectados a tierra.
- 5) No use adaptadores de enchufe ni remueva la espiga de tierra del enchufe. Esta herramienta está equipada con un enchufe para 3 espigas y un sistema eléctrico trifilar conectado a tierra. Haga la conexión solamente en tomacorrientes debidamente conectados a tierra.
- 6) Para evitar el recalentamiento del sistema eléctrico, sólo use la pistola de aire caliente en circuitos eléctricos con la capacidad de carga adecuada.
- 7) La pistola Master Varitemp puede emitir por su boquilla un calor sin llamas con temperaturas hasta 540°C (1000°F). No dirija esta corriente de aire caliente hacia su ropa, las manos u otras partes del cuerpo. No use la herramienta como secador de pelo.
- 8) Deje enfriarse la abertura de la boquilla y su protector antes de tocarlos. Estando en el modo "HOT" [caliente], la boquilla emite un calor extremadamente

Importantes instrucciones de seguridad (continuación)

- intenso. Siempre sujete la herramienta por su agarradera o use el pedestal que está permanentemente sujeto a la misma.
- 9) Antes de apagar la pistola, hágala funcionar en "COLD" [frío]. La boquilla y el protector de la boquilla requieren aproximadamente 3 minutos para enfriarse suficientemente para permitir tocarlos.
 - 10) Evite todo contacto directo entre la boquilla y su superficie de trabajo; no raspe pintura con la boquilla. Mantenga la cara de la boquilla a una distancia de por lo menos 25 mm (1 pulg) de la superficie de trabajo.
 - 11) Mantenga su área de trabajo limpia. Las áreas de trabajo descuidadas o desordenadas pueden provocar los accidentes y lesiones.
 - 12) Mantenga esta herramienta fuera del alcance de los niños. Las personas ajenas al trabajo en curso deben quedar a una distancia prudencial del área de trabajo. No las permita tocar la herramienta o su cable de extensión.
 - 13) Use esta herramienta en un área bien ventilada. No la use cerca de líquidos inflamables o en un ambiente explosivo (en presencia de vapores, gases o polvo).
 - 14) Remueva del área de trabajo todos los materiales altamente inflamables y otros desechos.
 - 15) Siempre use gafas de protección cuando trabaje con esta herramienta.
 - 16) Al usar una extensión, sólo use un cable eléctrico trifilar conectado a tierra con una capacidad mínima de calibre 14. Recomendamos que estos cables sean aprobados por los Underwriters Laboratories (UL) en los EE.UU. o por la Canadian Standards Association (CSA) en el Canadá y que sean adecuados para uso exterior. Los cables eléctricos marcados para uso exterior también son adecuados para uso interior
 - 17) No abuse del cable eléctrico. Nunca desconecte la herramienta tirando del cable para removerlo de un tomacorriente ni transporte la herramienta colgándola del cable.
 - 18) No remueva el pedestal ajustable. Cuando la herramienta no se esté sujetando con la mano, colóquela sobre una superficie nivelada. Coloque el cable eléctrico de manera que no provoque el vuelco de la herramienta.
 - 19) Mantenga a su alcance un extinguidor de incendios debidamente cargado.
 - 20) No deje desatendida la herramienta mientras esté en marcha o enfriándose.
 - 21) Esté alerta. No trabaje con la herramienta si está cansado. Use el sentido común y preste atención a lo que hace.
 - 22) Guarde la herramienta en la forma adecuada. Deje enfriar la herramienta antes de guardarla. Guárdela en un lugar seco, alto y bajo llave. Manténgala fuera del alcance de los niños.
 - 23) Antes de realizar cualquier mantenimiento, desconecte la herramienta. Al dar servicio a la herramienta, sólo use las piezas de repuesto Master Appliance. Recomendamos que todo mantenimiento sea realizado por un técnico experimentado en la reparación de herramientas eléctricas o por una organización de servicio calificada, o por nuestro personal de reparaciones.
 - 24) **ADVERTENCIA: EL ESTADO DE CALIFORNIA TIENE CONOCIMIENTOS DE QUE ESTE PRODUCTO, CUANDO SE USA EN SOLADURAS O APLICACIONES SIMILARES, PRODUCE AGENTES QUÍMICOS QUE PUEDEN PROVOCAR CÁNCER, DEFECTOS CONGÉNITOS Y DAÑOS AL SISTEMA REPRODUCTOR.**

Para servicio de reparación en fábrica, remita su herramienta a:

Master Appliance Corp.
Attention: Repair Department
2420 - 18th Street,
Racine, WI 53403 EE.UU.

Instrucciones de operación

Su herramienta Master Varitemp® es una pistola de aire caliente con calidad industrial para trabajos pesados. Su alta potencia y flujo de aire extra fuerte le permitirán realizar más tareas de calentamiento con mayor rapidez.

Esta herramienta proporciona un flujo rápido de aire caliente para una variedad de usos tales como la activación de adhesivos, dobladura y conformación de materiales plásticos, endurecimiento de resinas epóxicas, eliminación de rebabas de plásticos, descongelación de serpentines y tuberías congeladas, secado de piezas y negativos, calentamiento de sólidos y líquidos, aflojamiento de tuercas y tornillos, remoción de losas de piso y de su adhesivo, reparación de vinilo, contracción de tuberías y envolturas, ablandamiento de materiales y remoción de pintura. Es la solución ideal

dondequiera que necesite calor rápido y portátil.

La cantidad adecuada de calor para cada aplicación depende del ajuste del regulador de calor, de la distancia entre la abertura de la boquilla y la superficie de trabajo y del tiempo durante el cual se aplique el calor a la superficie de trabajo.

Antes de realizar una tarea, recomendamos que experimente con un pedazo de material desechable. Tenga cuidado al acercarse a la superficie de trabajo hasta que encuentre la combinación adecuada de ajuste del regulador de calor, de distancia a la superficie de trabajo y de tiempo de aplicación del calor.

Use un movimiento suave hacia adelante y hacia atrás al aplicar el calor, a menos que se estime adecuado concentrar el calor.

Quando se usa la pistola de aire caliente en un contenedor cerrado, como sería un túnel de contracción o algún tipo de envase especial, se debe permitir la entrada de aire fresco en la pistola; igualmente hay que tener un orificio de tamaño igual para facilitar la evacuación del aire caliente. Un enclaustramiento total provocará daños o posible falla en la pistola debido al extremo calor generado.

Para operar su pistola de aire caliente:

- 1) Conecte la pistola de aire caliente a una salida eléctrica con la capacidad adecuada.
- 2) Coloque el conmutador basculante en la posición de "HOT" [caliente]. Gire el regulador de calor al punto de ajuste deseado. La pistola alcanzará su temperatura de funcionamiento total.
- 3) Para fijar el regulador, quite la perilla aflojando el tornillo fijador de la perilla con una llave Allen de 1,19 mm (3/64 de pulg). Gire el eje de regulador al punto de regulación de calor deseado y apriete la tuerca de seguridad.
- 4) El pedestal ajustable permite la rotación de la boquilla desde la posición casi horizontal hasta la posición vertical.
- 5) Para apagar la pistola después de usarla, coloque el conmutador en la posición de "COLD" [frío]. Hágala funcionar en frío durante aproximadamente tres minutos. Esto permitirá que la pistola y la boquilla se enfríen suficientemente para permitir tocarlas.
- 6) Coloque el conmutador en la posición de "OFF" [apagado].

Aplicaciones típicas

Remoción de pintura

Además de muchos otros usos, la Master Varitemp® Heat Gun se ha convertido en una herramienta popular para remover pintura. Debido a su mayor potencia y flujo de aire extra fuerte, muchos contratistas profesionales de restauración y renovación, la reconocen como la herramienta de selección para las tareas duras de remover pintura.

Para las aplicaciones profesionales de remover pinturas, recomendamos usar los modelos HG-501A (120V), HG-501A-C (120V, en el Canadá) o el modelo HG-502A (220/240V).

Instrucciones de seguridad para remover pinturas

1) **AVISO:** Con una pistola de aire caliente, como con todas las herramientas de calefacción, siempre mantenga accesible un extinguidor de incendios y observe todas las precauciones razonables contra incendios.

No recomendamos el uso de esta pistola de aire caliente sobre superficies **huecas** tales como tablas de pared exterior, paredes interiores, soffits, paneles, tabiques, etc. Estas superficies frecuentemente contienen materiales inflamables como polvo, astillas de madera,

aislamiento, nidos de roedores y otros desechos que accidentalmente podrían incendiarse.

El mejor uso para su pistola de aire caliente es el de remover la pintura de obras de madera **sólida** con sus entrantes y salientes tales como adornos interiores, molduras, piezas torneadas, puertas, balaustres, adornos de portales, etc.

Al remover pintura, siempre mantenga la pistola con un movimiento continuo hacia adelante y hacia atrás. El detenerse o prolongar una pausa en un punto determinado podría inflamar la superficie sobre la cual se trabaja o el área detrás de la misma.

2) No respire los vapores o ingiera en forma alguna las pinturas con base de plomo. Muchas casas antiguas y otros edificios contienen pinturas con base de plomo. Los residuos, peladuras, polvo y vapores de pintura con base de plomo son extremadamente venenosos. Al remover este tipo de pintura, evite las posibilidades de envenenamiento con plomo [saturnismo] empleando una ventilación adecuada (como un ventilador de ventana en su modo extractor) y conservando un área de

trabajo limpia. Ante la presencia de polvo o vapores de plomo, use un dispositivo respirador diseñado para filtrar plomo. Siempre que sea posible, mueva el trabajo al exterior.

La negligencia en tomar las precauciones de seguridad adecuadas al trabajar con pinturas a base de plomo, podría conducir al envenenamiento con plomo [saturnismo]. Para información adicional, vea nuestras "Instrucciones para remover la pintura."

- 3) No utilice ninguno de los productos químicos para remover pinturas. Estos productos son susceptibles de inflamarse y despedir vapores dañinos.
- 4) Use una ventilación adecuada (como un ventilador de ventana en su modo extractor) y conserve limpia su área de trabajo.
- 5) Use guantes y gafas de protección cuando trabaje con esta herramienta.
- 6) Siempre mantenga accesible un extinguidor de incendios totalmente cargado.
- 7) Manténgase alerta, preste atención a lo que hace y haga uso del sentido común.

Instrucciones de seguridad importantes leer estas instrucciones

ADVERTENCIA: Las áreas que quedan escondidas, como detrás de paredes, techos, suelos, placas de techo y otros tipos de paneles pueden contener materiales inflamables que se pueden incendiar por la acción de la pistola de aire caliente. La ignición de estos materiales puede no ser evidente desde un principio y provocar daños en propiedades o personas. No utilizar la pistola si existen dudas sobre este riesgo. Al trabajar en lugares con estas características, mover la pistola hacia adelante y hacia atrás. Prolongar su uso o detenerse en un lugar puede incendiar el panel o el material situado tras él. La pistola de aire debe utilizarse con temperatura BAJA, que es aproximadamente el #8 en el dial de temperatura.

Para quitar pintura

ADVERTENCIA: Se debe tener mucho cuidado al quitar pintura. Las capas de pintura, los residuos y los vapores pueden contener plomo, que es venenoso. Cualquier pintura anterior a 1977 puede contener plomo y la pintura que se aplique sobre superficies, el contacto de la mano con la boca puede resultar en la ingestión del plomo. La exposición a niveles incluso muy bajos de plomo puede causar daños irreversibles en el cerebro y el sistema nervioso. Los niños pequeños y los fetos son particularmente vulnerables.

Antes de iniciar cualquier proceso para retirar pintura se debe determinar si dicha pintura contiene plomo. Esto puede ser llevado a cabo por el departamento de sanidad local o por un profesional que utilice un analizador de pintura para comprobar el contacto que ha tenido con el plomo la pintura que se ha de retirar. **LAS PINTURAS CON BASE DE PLOMO SOLO DEBEN SER RETIRADAS POR UN PROFESIONAL Y NO DEBEN QUITARSE UTILIZANDO UNA PISTOLA DE AIRE CALIENTE.**

Las personas que retiren pintura deben seguir estas indicaciones:

- 1) Trasladar al aire libre la pieza con la que se ha de trabajar. Si esto no es posible, mantener bien ventilada el área de trabajo. Abrir las ventanas y colocar un ventilador en una de ellas. Asegurarse de que el ventilador se lleva el aire desde el interior hacia el exterior.
- 2) Retirar o cubrir las alfombras, alfombrillas, muebles, ropa, utensilios de cocina y conductos de ventilación.
- 3) Cubrir el suelo del área de trabajo con telas, para recoger las virutas o capas de pintura. Llevar ropas de protección como camisas, monos y gorros para trabajos especiales.
- 4) Trabajar en una sola habitación. Los muebles

deben ser retirados o colocados en el centro de la habitación y cubiertos. Las áreas de trabajo deben aislarse para separarlas del resto de la vivienda, sellando la puerta con telas colocadas en el suelo.

- 5) Los niños, las mujeres embarazadas o con posibilidades de estarlo y las madres lactantes no deben estar presentes en el área de trabajo hasta que éste se haya acabado y todo esté limpio.
- 6) Llevar una mascarilla de respiración de polvo o una mascarilla de respiración con filtro dual (polvo y humo) que esté aprobada por la Occupational Safety and Health Administration (OSHA) – Administración de salud y Seguridad Ocupacionales –, el National Institute of Safety and Health (NIOSH) – Instituto Nacional de Salud y Seguridad –, o el United States Bureau of Mines – Negociado de Minas de los Estados Unidos –. Estas mascarillas y los filtros de recambio se pueden obtener en tiendas mayoristas. Asegurarse de que la mascarilla ajusta bien. La barba y el pelo de la cara pueden impedir que las mascarillas queden debidamente ajustadas. Cambiar los filtros a menudo. **LAS MASCARILLAS DE PAPERL DESECHABLES NO SON ADECUADAS.**

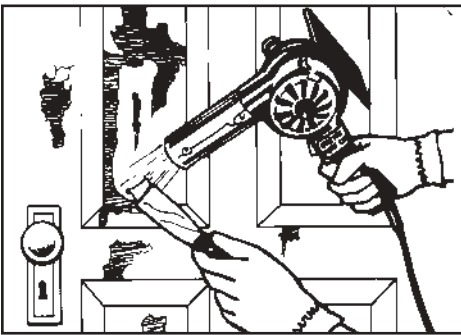
Instrucciones de seguridad importantes leer estas instrucciones (continuación)

- 7) Tener cuidado al manejar la pistola de aire caliente. Manenerla en movimiento ya que un calor excesivo generará humos que pueden ser inhalados por el operario.
- 8) Manener la comida y la bebida fuera del área de trabajo. Lavarse las manos, los brazos y la cara y aclarase la boca antes de comer of beber. No fumar o mascar chiclé o tabaco en el área de trabajo.
- 9) Retirar toda la pintura que se ha quitado y el polvo fregando el suelo. Utilizar un paño húmedo para limpiar todas las paredes, umbrales y cualquier otra superficie donde haya pintura o polvo. **NO BARRER, NI LIMPIAR EN SECO NI ASPIRAR EL POLVO.** Utilizar un detergente con alto contenido en fosfatos o fosfato trisódico (TSP) para lavar y fregar las superficies afectadas.
- 10) Al finalizar cada sesión de trabajo, colocar las virutas de pintura y otros residuos en una bolsa de plástico doble, cerrarla con cinta adhesive o cintas retorcidas y tirarla en un contenedor adecuado.
- 11) Quitarse la ropa de protección y los zapatos en el área de trabajo para no llevar el polvo al resto de la vivienda. Lavar la ropa de trabajo por separado. Limpiar los zapatos con un paño húmedo y lavarlo junto con la ropa de trabajo. Lavar bien el cabello y el cuerpo con agua y jabón.

GUARDAR ESTAS INSTRUCCIONES

Aplicaciones típicas

Forma de remover la pintura



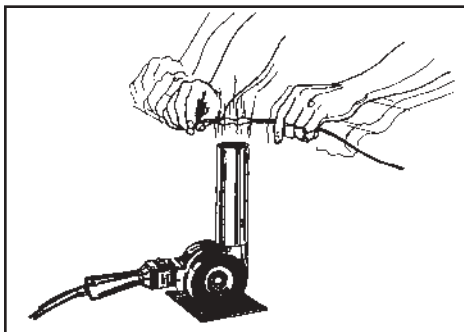
- 1) Para remover pintura vieja, active la unidad y sosténgala aproximadamente a 25 mm (1 pulg) de la superficie a limpiarse. La experiencia le ayudará a determinar la distancia y velocidad adecuadas para remover la pintura. Es ventajoso sostener la pistola a una cierta distancia de la superficie y acercársela lentamente. La velocidad más lenta será compensada por la amplitud de las áreas ablandadas. Igualmente, el calor tendrá mayor penetración.
 - 2) La temperatura de salida puede ajustarse mediante la abertura situada al lado de la unidad. Con la persiana abierta, la temperatura está cerca de 260°C/500°F a una distancia de 25 mm (1 pulg) de la boquilla. Con la persiana cerrada, la temperatura está cerca de 400°C/750°F. Experimente para ver qué regulación le aporta los mejores resultados con el tipo de pintura que esté tratando de remover.
 - 3) A medida que la pintura comienza a ampollarse y formar burbujas, mueva lentamente la pistola avanzando sobre la superficie con uniformidad y comience inmediatamente a remover pintura con una cuchilla de raspar (una espátula de 50 mm [2 pulg] asegura los mejores resultados). Precaliente la espátula a medida que calienta la superficie pintada para acelerar la remoción de la pintura.
- a. La remoción de pintura mediante el uso de calor se basa en el hecho de que todas las pinturas orgánicas se ablandan a temperaturas elevadas. Una vez ablandada, la pintura se puede remover fácilmente sin dañar la superficie.

Aplicaciones típicas (continuación)

b. Al remover pintura de las ranuras de molduras, usted puede improvisar su propia herramienta raspadora. Son de uso frecuente los viejos destornilladores con láminas esmeriladas a la medida necesaria y las cuchillas para cortar linóleo.

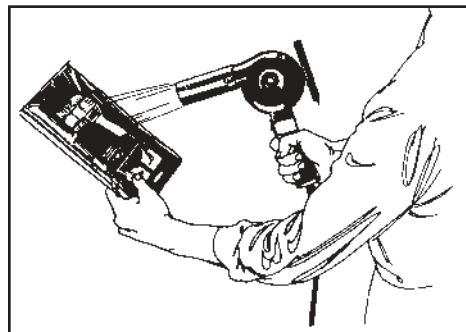
4) Una vez terminada la tarea, coloque el conmutador basculante en la posición de "COOL" [frío]. Deje que la pistola trabaje varios minutos en la posición de "COOL."

Contracción térmica de tubos



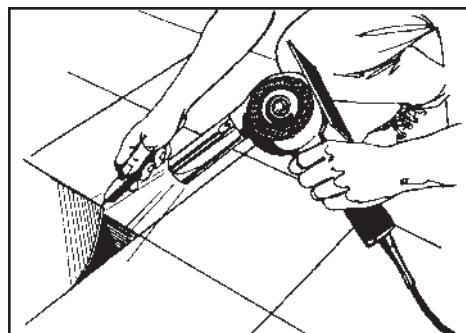
Use el pedestal para dejar las manos libres. Deslice el tubo sobre el área que vaya a aislarse. Sitúe el tubo en la corriente de aire y muévalo de un lado al otro hasta que se haya encogido. Retírelo de la corriente de aire.

Contracción térmica de envolturas plásticas



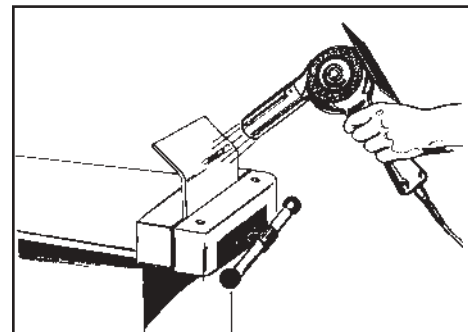
Después que la envoltura termoencogible se ha sellado alrededor de un producto, haga un pequeño orificio en la misma para permitir el escape del aire. Después dirija la corriente de aire caliente hacia el paquete efectuando un movimiento hacia adelante y hacia atrás por todo el paquete hasta que la envoltura se haya encogido de manera uniforme.

Remoción de losas para piso



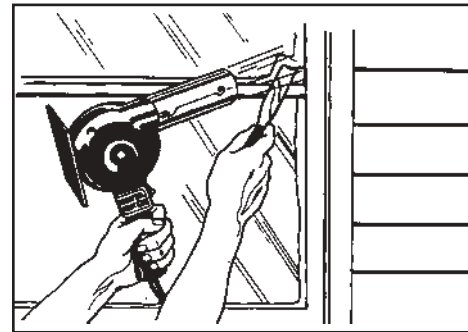
Con un movimiento hacia adelante y hacia atrás, dirija la corriente de aire caliente hacia la losa que se vaya a levantar. De esta forma se ablandará el respaldo adhesivo. Coloque una espátula debajo de la losa para levantarla y removerla.

Dobladura y conformación de materiales plásticos



Experimente primero con un pedazo desechable para desarrollar una técnica adecuada. Coloque el pedazo de plástico dentro de un dispositivo de sujeción apropiado. Dirija la corriente de aire caliente hacia todo lo largo de la línea a doblarse hasta que el plástico se ablande a lo largo de esa área. Doble el plástico a la posición deseada.

Remoción de masilla vieja

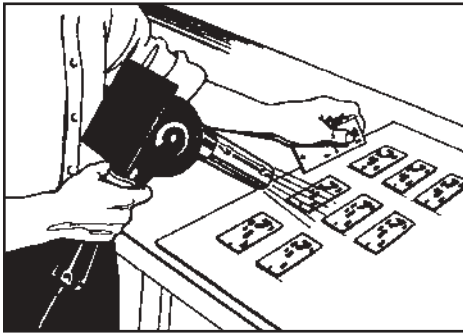


Para quitar la masilla de una ventana rota, con mucho cuidado, primeramente retire los cristales rotos. Para quitar la masilla de una ventana intacta, dirija la corriente de aire caliente en sentido opuesto al cristal para evitar su cuarteadura debido al choque térmico. Es

Aplicaciones típicas (continuación)

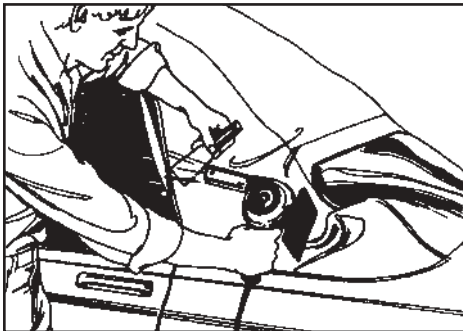
conveniente proteger el cristal del aire caliente usando una espátula grande. Con un movimiento hacia adelante y hacia atrás, dirija la corriente de aire caliente hacia la masilla hasta que se ablande. Quite la masilla con la espátula.

Secado rápido de piezas



Piezas y otros materiales pueden secarse rápidamente moviendo la corriente de aire caliente sobre el trabajo hasta dejarlo seco.

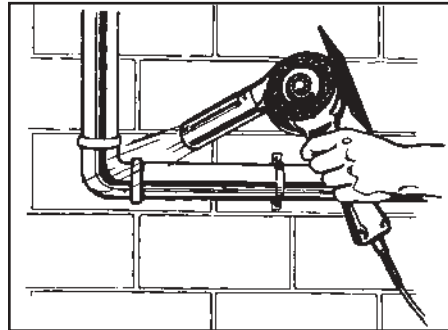
Estirado, conformación e instalación de vinilo



Dirija la corriente de aire caliente hacia una sección de

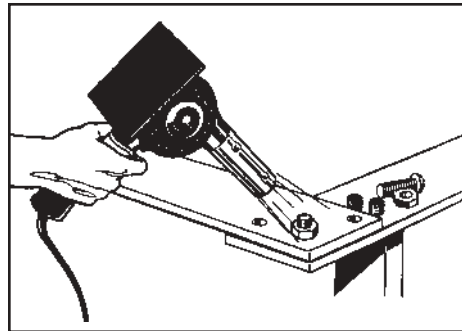
vinilo usando un movimiento hacia adelante y hacia atrás con la pistola. Estire y dé forma al vinilo hasta eliminar todas las arrugas. NO APUNTE el chorro de aire caliente al cristal.

Descongelación de serpentines y tuberías



Dirija la corriente de aire caliente hacia la pieza congelada usando un movimiento hacia adelante y hacia atrás hasta que la pieza se descongele.

Aflojamiento de tuercas y tornillos



Por breve período de tiempo, dirija la corriente de aire

caliente hacia la tuerca o tornillo a aflojarse. Calentando la tuerca o tornillo se provocará la expansión del metal. Retire la corriente de aire caliente de la pieza de trabajo. Afloje la tuerca o tornillo usando la llave apropiada.

Si usted tiene alguna pregunta relacionada con el uso específico de su pistola de aire caliente, no deje de llamar al Departamento de Servicios a Clientes al (262) 633-7791.

Instrucciones de mantenimiento

Toda reparación o servicio de mantenimiento fuera de lo recomendado en este manual de instrucciones, debe ser realizado por un técnico experimentado en la reparación de herramientas eléctricas, o por una organización de servicio calificada, o por el Departamento de Servicio de Master Appliance Corp.

Para un servicio de reparación y de mantenimiento rápido y eficaz, remita su herramienta a:

Master Appliance Corp.

Attention: Repair Department
2420 - 18th Street
Racine, WI 53403 EE.UU.

Favor de adjuntar una nota describiendo el problema y su número de teléfono.

AVISO: Siempre desconecte la herramienta antes de realizar cualquier mantenimiento o reparación. Sólo use las piezas de repuesto idénticas de la marca Master Appliance.

Escobillas de motor

- 1) Antes de quitar las escobillas, desconecte la herramienta del suministro eléctrico.
- 2) Inspeccione regularmente las escobillas (por lo menos cada 100 horas de tiempo en marcha). Si las escobillas tienen menos de 3 mm (1/8") de largo, reemplácelas inmediatamente.
- 3) Quite las escobillas una por una. Para quitarlas,

desenrosque la tapaescobilla situada en el costado de la caja, voltee la herramienta de manera que el agujero sea apuntado hacia abajo y deje que caigan la escobilla y el resorte.

- 4) Siempre reemplace las escobillas en juegos (2 escobillas y 2 resortes) para asegurar tensión igual. Si se vuelven a poner escobillas parcialmente usadas, ajuste la curvatura de las escobillas a la curvatura del colector.
- 5) Para reemplazar, introduzca en el agujero la escobilla nueva y el resorte nuevo y atornille la tapa de la escobilla.
- 6) Después que se haya gastado el segundo juego de escobillas, envíe la herramienta a un técnico calificado en reparaciones y que esté familiarizado con las reparaciones de herramientas eléctricas, o a una organización de servicio calificada o al Departamento de Servicio de Master Appliance Corp. para la limpieza interior de la herramienta, rectificación del colector, o cualquier tipo de mantenimiento que sea necesario.
- 7) Siempre use las piezas de repuesto originales de Master Appliance Corp.

Elementos calefactores

El abuso de los elementos calefactores y su eventual quemadura pueden ocurrir debido a una de las condiciones siguientes:

- 1) Velocidad inadecuada en el soplador
- 2) Alto voltaje en la línea
- 3) Accesorio inadecuado
- 4) Colocación incorrecta del elemento o de las láminas aisladoras de mica.
- 5) Boquilla demasiado cerca del área que recibe el calor (menos de 25 mm [1 pulg]).

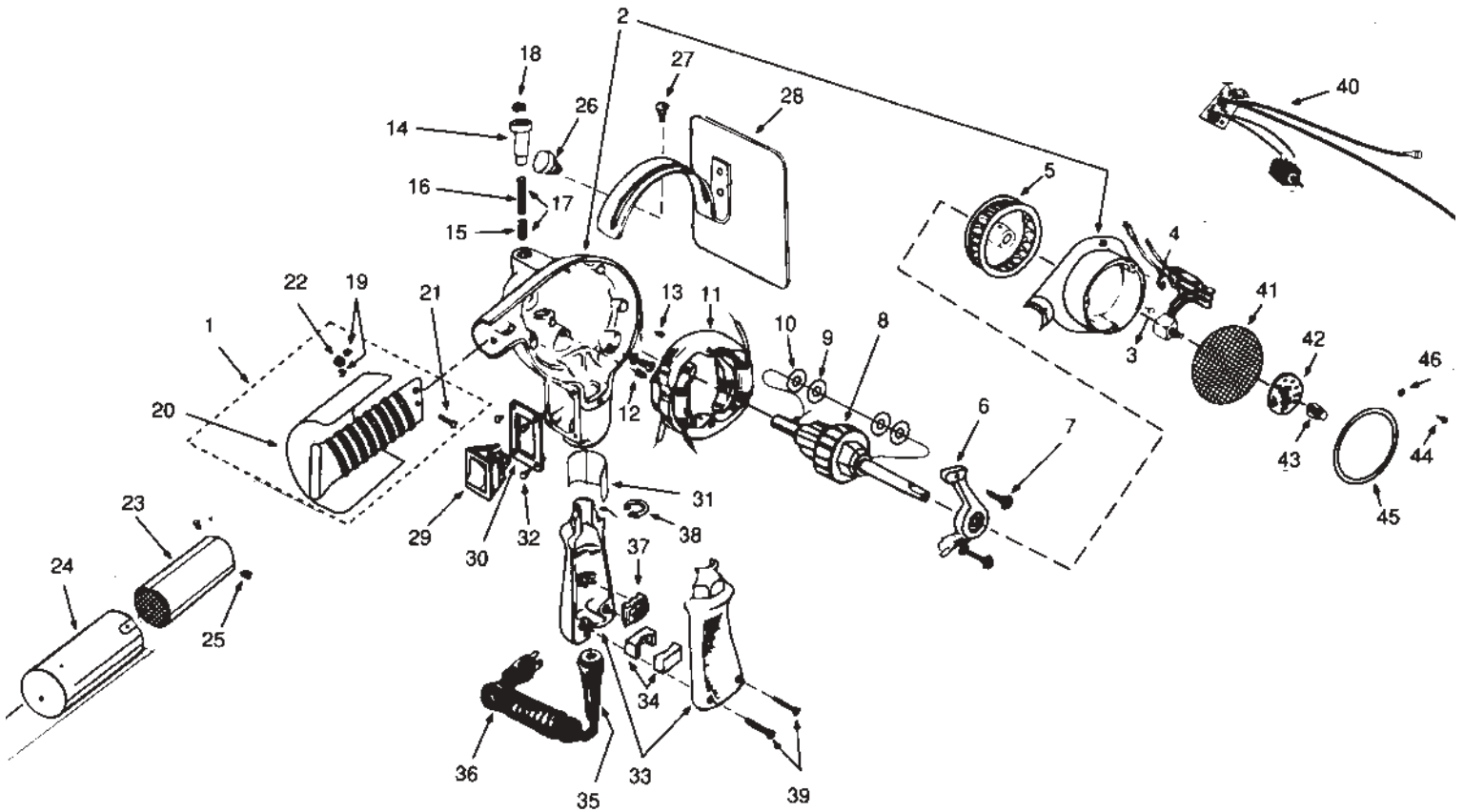
Lubricación

Los rodamientos están lubricados en fábrica y no requieren lubricación adicional.

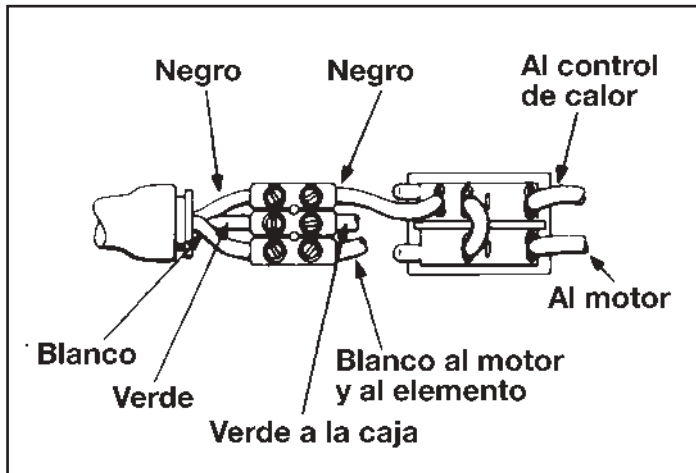
Limpieza

Antes de efectuar la limpieza, desconecte la pistola de aire caliente. Para limpiar el exterior de la herramienta, use un jabón suave y una tela húmeda. No use agentes limpiadores, trementina [aguarrás], gasolina, diluyente de laca o de pintura u otros disolventes conteniendo sustancias químicas que pueden ser dañinas a los materiales plásticos y otros materiales aislantes. Nunca sumerja la herramienta en líquido o deje que un líquido penetre en el interior de la herramienta. Cerciórese de que todas las aberturas y áreas de ventilación estén limpias y libres de desechos.

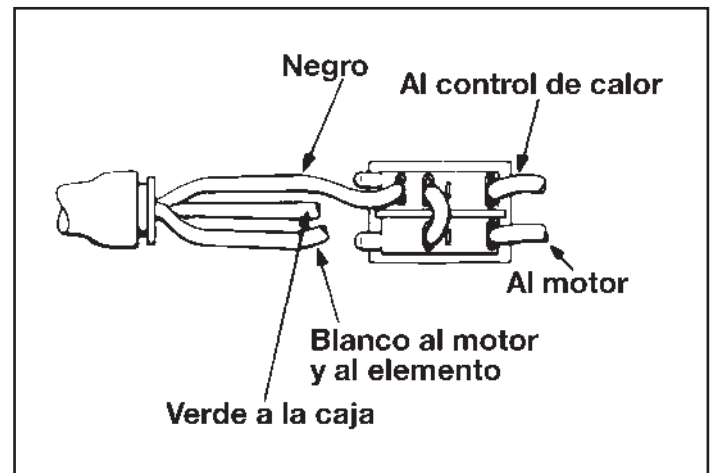
Vista esquemática



Diagramas del alambrado de los conmutadores



Modelo VT-752C solamente



Modelo VT-750

Piezas de repuesto para Master Varitemp® Heat Gun (Modelos VT)

Las piezas de repuesto y los accesorios para la pistola de aire caliente Master Varitemp® están diseñados y fabricados según las especificaciones precisas de Master Appliance. Las piezas de repuesto y

accesorios procedentes de otros fabricantes no cumplen con estas especificaciones precisas y por lo tanto, pueden provocar dificultades o averías en su pistola Master Varitemp®. Master Appliance

no puede asumir ninguna obligación o responsabilidad civil por dificultades derivadas del uso de piezas de repuesto o accesorios procedentes de otras marcas en una pistola Master Varitemp®.

N.º Rubro	N.º Pieza	Descripción
1	HAS-043K	Elemento calefactor, 120V (para modelo VT-750C)
	HAS-014K	Elemento calefactor, 220/240V (para modelo VT-752C)
2	30269	Conjunto completo de caja y tapa
3	SRW-345	Tornillo
4	SRW-346	Tornillo
5	BLW-001	Rotor del soplador
6	BRY-141	Soporte de cojinete superior
7	SRW-350K	Tornillo para soporte de cojinete (juego de 2)
8	ARM-607	Armadura con anillos de retención, 120V (para modelo VT-750C)
	ARM-543	Armadura con anillos de retención, 220/240V (para modelo VT-752C)
9	RIN-026K	Anillo de retención (juego de 2)
10	WHR-003KA	Arandela (juego de 2)
11	FLD-484	Campo, 120V (para modelo VT-750C)
	FLD-450	Campo, 220/240V (para modelo VT-752C)
12	SRW-351K	Juego de tornillo de tierra y arandela de seguridad
13	SRW-347K	Tornillo de fijación del portaescobilla (juego de 2)
14	BRH-040K	Portaescobillas para motor de 120V (juego de 2)
	BRH-025K	Portaescobillas para motor de 220/240V (juego de 2)
15	BRU-089K	Escobilla (juego de 2)
16	SPG-049K	Resorte de escobilla (juego de 2)
17	BAS-103K	Escobilla y resorte (juego de 2)
18	BRC-005K	Tapa de escobilla (juego de 2)
19	NUT-017K	Tuerca de elemento (juego de 2)
20	INN-032	Mica
21	SRW-346	Tornillo de montaje del elemento
22	SPA-025	Arandela de montaje de goma
23	NAS-006	Conjunto de boquilla con malla y anillo
24	SHL-004	Protector de la boquilla
25	SRW-349K	Tornillo para boquilla (juego de 3)
26	SRW-141	Tornillo de fijación
27	SRW-321	Tornillo de tope
28	BSY-005	Conjunto del pedestal de la pistola de aire caliente
29	SWH-019	Conmutador basculante de resorte
30	PLT-281	Placa de interruptor
31	INN-101	Barrera
32	SRW-348K	Tornillo de la placa de interruptor (juego de 4)
33	HDE-013	Agarradera
34	GRT-045	Fijador de cable (un par)
35	GRT-044	Protector del cable
36	51211	Cable para modelo VT-750C
	51265	Cable para modelo VT-752C
37	TMB-003	Bloque de terminales (para modelo VT-752C solamente)

Piezas de repuesto (continuación)

N.º Rubro	N.º Pieza	Descripción
39	SRW-344K	Tornillo (juego de 2)
40	30582	Regulador de calor, 120V (para modelo VT-750C)
	30583	Regulador de calor, 220/240V (para modelo VT-752C)
41	50699	Filtro de aire
42	50725	Disco-cuadrante para modelo VT-752C
	51527	Disco-cuadrante para modelo VT-750C
43	50723	Perilla
44	SRW-348KA	Tornillo de montaje del filtro de aire (juego de 3)
45	50921	Anillo de guarnición
46	56054K	Arandela de seguridad (juego de 3)

Garantía total por un año

Su Master Varitemp® Heat Gun fue cuidadosamente probada e inspeccionada antes de salir de la fábrica. Garantizamos que este producto está libre de defectos tanto en materiales como en fabricación bajo condiciones de uso y servicio normales durante un año a partir de la fecha de compra. En caso de que aparezca un defecto en materiales o fabricación, repararemos o reemplazaremos, sin cargo y a nuestra opción, cualquier pieza que a nuestro juicio muestre señales de tal defecto.

Esta garantía no es válida para los aditamentos, las escobillas, el colector, los cojinetes, o el elemento calefactor, los cuales son piezas que requieren su reemplazo periódico; tampoco es válida si la Master Varitemp® Heat Gun ha recibido mal trato, abuso, alteraciones o modificaciones. Al final del período de garantía, Master Appliance no tendrá obligaciones de garantía adicionales, ni expresas ni implícitas. Algunos estados no permiten limitaciones en la

duración de una garantía implícita, de manera que la limitación anterior puede que no afecte su caso.

Master Appliance no asume responsabilidad de, ni esta garantía cubre, ningún daño incidental o emergente de cualquier defecto en este producto o en su uso. Algunos estados no permiten la exclusión o limitación de daños incidentales o emergentes, de manera que la exclusión anterior puede que no afecte su caso.

Esta garantía le da derechos legales específicos, y usted podría tener otros derechos según la legislación regional aplicable.

Para reparaciones por garantía: Se requiere un recibo de prueba de compra u otra prueba adecuada indicativa de la fecha de compra que debe ser incluida con el producto remitido para reparaciones a Master Appliance. Todas las reclamaciones por garantía

deben hacerse a Master Appliance y no al distribuidor. Master Appliance no será responsable de reparaciones realizadas o intentadas por otros. No autorizamos ninguna garantía distinta, hecha por terceros. En caso de una reclamación por garantía, favor de devolver su Master Varitemp® Heat Gun con transporte previamente pagado, con prueba de compra y una nota explicativa del problema, a nuestro departamento de servicio. Vea a continuación.

Para servicios de reparación: Cargamos una tasa uniforme. Favor de llamar a Master Appliance para conocer el gasto fijo. Devuelva su Master Varitemp® Heat Gun con transporte previamente pagado incluyendo una nota explicativa del problema, a:

Master Appliance Corp.
Attention: Repair Department
2420 - 18th Street
Racine, WI 53403 EE.UU.
Teléfono: (262) 633-7791
Fax: (262) 633-9745

MASTER[®]
A P P L I A N C E

2420 18th St. • Racine, WI 53403
Tel: (262) 633-7791 • Fax: (262) 633-9745
E-mail: sales@masterappliance.com
Please visit our Web Site: www.masterappliance.com