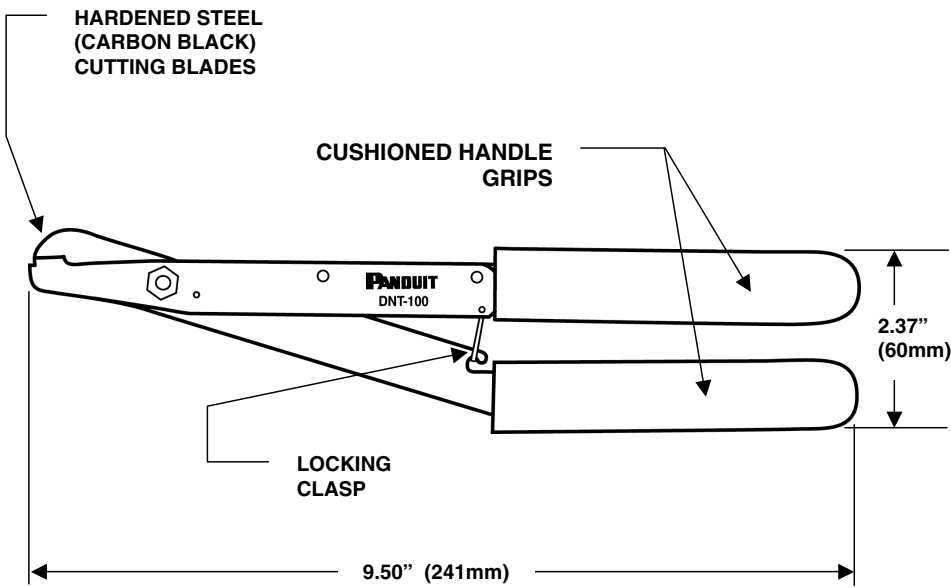


THIS COPY IS PROVIDED ON A RESTRICTED BASIS AND IS NOT TO BE USED IN ANY WAY DETRIMENTAL TO THE INTERESTS OF PANDUIT CORP.



NOTES:


For use with *PANDUCT* Plastic Wiring Duct.

- Used to notch the duct sidewall down to the scoreline to facilitate finger breakouts for corner and 'T' junctions.
- Spring loaded in open position. (Closed position shown in drawing.)

DIMENSIONS ARE FOR REFERENCE ONLY.

WEIGHT: 9.1 oz.
(258 gr.)

F:/rusers/engdocsnew/custdwg/
WD24978A01_00 DNT-100.doc

												CORP. TINLEY PARK, ILLINOIS	
										DNT-100 DUCT NOTCHING TOOL CUSTOMER DRAWING			
										UNLESS OTHERWISE SPECIFIED, DIMENSIONAL TOLERANCES ARE: (.x) ± --- (.xxx) ± --- (.xx) ± --- ANGLES ± ---		UNLESS OTHERWISE SPECIFIED, ALL DIMENSIONS ARE GIVEN IN INCHES, THIRD ANGLE PROJECTION.	
										DRAWN BY: BLR	MATL: -----	SCALE NONE	
00	3-15-05	BLR	MBR	RLSD; RPLCS: DNT-09534A-CD		4153	--	DLWE		DATE: 3-15-05	DRAWING NO. WD24978A01	DWG A SIZE	
REV	DATE	BY	CHK'D	DESCRIPTION		ECN	-R	CUST	SUP	CHK'D: MBR			