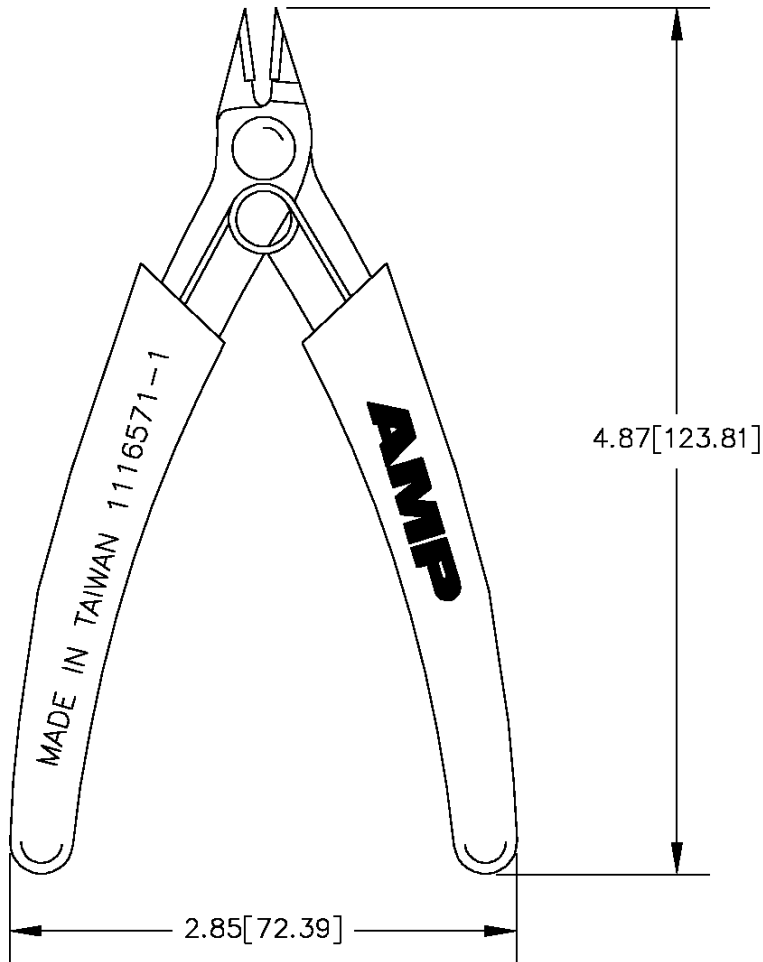


LOC	DIST	REVISIONS					
AA	28	P	LTR	DESCRIPTION	DATE	DWN	APVD
		01		EC 0150-0123-04	04FEB04	WH	RS

NOTES:

1. PACKAGED ONE TOOL PER CLAMSHELL WITH INSERT CARD.



RELEASED FOR PUBLICATION


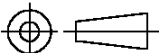
ALL RIGHTS RESERVED.

BY TYCO ELECTRONICS CORPORATION.

THIS DRAWING IS UNPUBLISHED.

© COPYRIGHT

1116571-1
PART NO.

DIMENSIONS: mm [INCHES]		DWN W.HOOVER 04FEB2004	MATERIAL -	FINISH -
TOLERANCES UNLESS OTHERWISE SPECIFIED:		CHK R.SCHAEFFER 04FEB04	 Tyco Electronics Corporation Harrisburg, Pa 17105-3608	
0 PLC ± -		APVD R.SCHAEFFER 04FEB04		
1 PLC ± -		PRODUCT SPEC -	NAME WIRE CUTTER	
2 PLC ± .01[0.25]		APPLICATION SPEC -	TOOLLESS MODULAR JACK	
3 PLC ± -		WEIGHT -	SIZE A4	CAGE CODE 00779
4 PLC ± -			DRAWING NO C=1116571	RESTRICTED TO -
ANGLES ± -				
		CUSTOMER DRAWING		
			SCALE 1:1	SHEET 1 OF 1
				REV 01