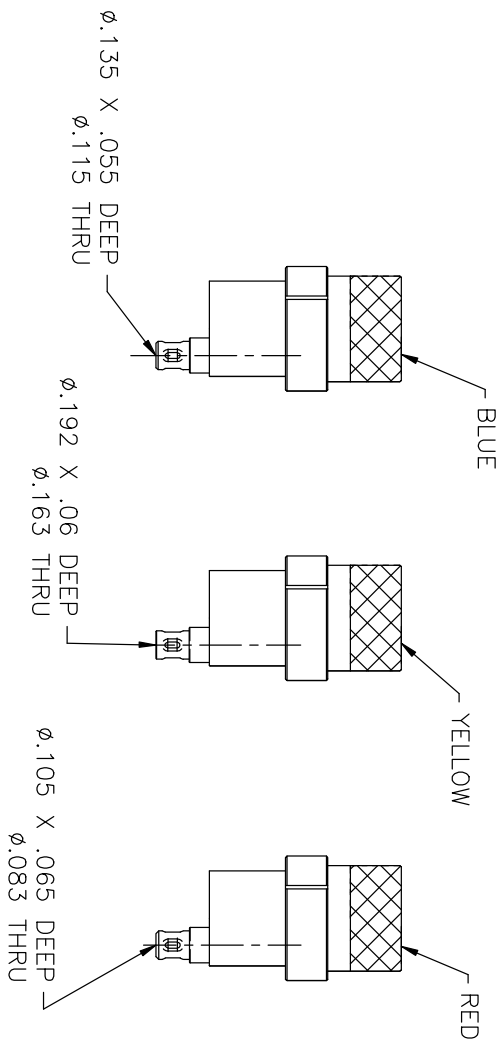
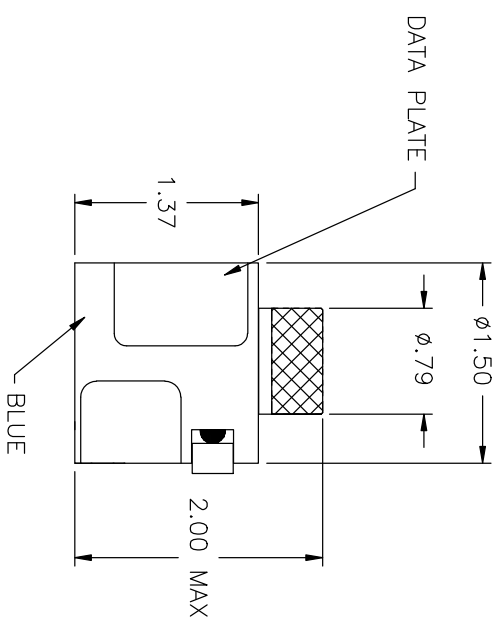
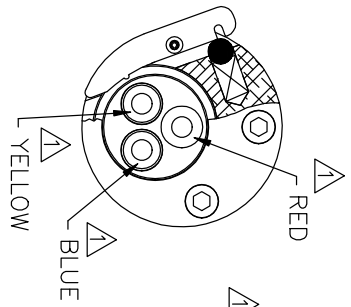


# 615715-ENV

MS3343 (A AND B) POSITIONER WIRE	26	24	22	20	18	16	14	12	WIRE
MS3040 (A AND B) END COLOR	RED	1	2	3	4				SIZE
MS3343 (A AND B) END COLOR	BLUE			4	5	6			SELECTOR
									NUMBER
-20-20									
-16-16									
-12-12									

DATA PLATE

**UNCONTROLLED DOCUMENT  
WILL NOT BE UPDATED**



TYPICAL CONSTRUCTION  
DIAMETERS ARE MEASURED FROM TOP OF  
POSITIONER INSERTS

REV. A	DESCRIPTION	NEW RELEASE	BY	DATE	APR	MMK	DY012-14-09
--------	-------------	-------------	----	------	-----	-----	-------------

THESE DRAWINGS SPECIFICATIONS OR DIMENSIONS ARE THE PROPERTY OF ASTRO TOOL CORP. AND MUST BE RETURNED UPON REQUEST. THEY CONTAIN INFORMATION OWNED AND/OR DEVELOPED BY ASTRO AT ITS OWN PRIVATE EXPENSE AND SHALL NOT BE USED FOR ANY PART OR OTHERS, IN WHOLE OR IN PART FOR DESIGN, MANUFACTURE OR PRODUCTION WITHOUT THE WRITTEN PERMISSION OF ASTRO TOOL CORP. EACH AND EVERY TIME.

SCALE	N.T.S.	UNLESS OTHERWISE SPECIFIED:	DECIMALS:	.XXX ± .005
DWN BY:	DY0	ANGLES:	.X ± .010	
DATE:	12-14-09	APPROVED:		

ASTRO TOOL CORP.  
21615 S.W. TUALATIN VALLEY HWY., BEAVERTON OR 97136  
ENVELOPE DRAWING: 615715  
TURRET ASSEMBLY, M22520/1-08

PART NO. B 615715-ENV

CAGE 5884

NOTES: 1. THIS IS AN AUTOCAD DRAWING DO NOT CHANGE MANUALLY.