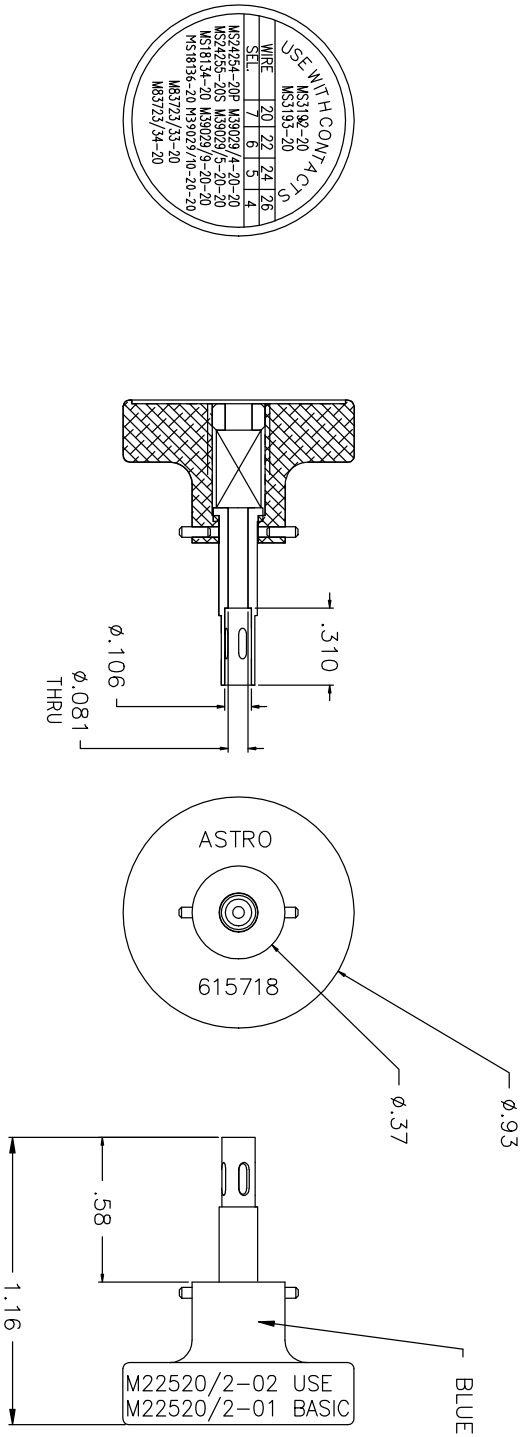


615718-ENV



USE WITH CONTACT OR

MS3192-20	20	22	24	26
MS3195-20	7	6	5	4
MS24254-20P	M39029/4-20-20			
MS24259-20S	M39029/5-20-20			
MS18134-20	M39029/5-20-20			
MS18135-20	M39029/5-20-20			
MS3723/33-20				
MS3723/34-20				

**UNCONTROLLED DOCUMENT
WILL NOT BE UPDATED**

<p>THESE DRAWINGS SPECIFICATIONS OR OTHER DATA ARE AND REMAIN THE PROPERTY OF ASTRO TOOL CORP AND MUST BE RETURNED UPON REQUEST. THEY ARE NOT TO BE REPRODUCED OR COPIED FOR ANY OTHER PURPOSES WITHOUT THE WRITTEN PERMISSION OF ASTRO TOOL CORP EACH AND EVERY TIME.</p>		<p>SCALE: N.T.S.</p>	<p>UNLESS OTHERWISE SPECIFIED: DECIMALS: .XXX ± .015 XX ± .010 X ± .005 ANGLES: ± 1°</p>	<p>ASTRO TOOL CORP 2405 S.W. TUALATIN VALLEY HWY., BEAVERTON OR 97004</p>	<p>CAGE 534A</p>
REV.	DESCRIPTION	BY	DATE	APR.	
A	NEW RELEASE.	DYO	06-25-09	MMK	
<p>NOTES: 1. THIS IS AN ACAD DRAWING DO NOT CHANGE MANUALLY.</p>					
<p>PART NO. B 615718-ENV</p>				<p>DESCRIPTION: ENVELOPE DRAWING: 615718 POSITIONER (M22520/2-02)</p>	