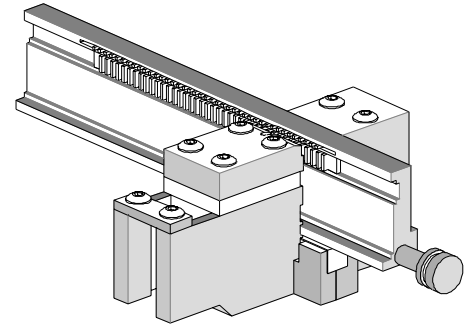




**IDT SL Hand Tool Module  
Operating Instruction for  
SL 70400 and 70475 Series  
Order No. 62100-0700**



**FEATURES**

- This module is to be used with the 63600-0478 pistol grip hand tool handle.
- It inserts individual hand-loaded discrete wires into the Molex SL Connector 70400 and 70475 series.
- The tool will accommodate 3 to 25 circuit connectors, (2-circuit connectors are always in pairs).
- The module automatically indexes to the next position after termination.

**SCOPE**

Products: C-Grid SL™ Insulation Displacement connector assemblies. The module by itself measures 185mm (7.28in.) wide by 97mm (3.82in.) deep by 50mm (1.97in.) high. And weights 0.41 kg (0.9lb).

**Product List**

The following is a partial list of the product order numbers and their specifications that this tool is designed to run. Updates to this list are available on [www.molex.com](http://www.molex.com).

Connector Series No	Description
70400	2.54mm (.100") Pitch C-Grid SL™ Insulation Displacement Female Connector Assembly
70475	2.54mm (.100") Pitch SL™ Insulation Displacement Male Connector Assembly

Connector Series No.70400	
Order No.	Engineer No.
14-56-2021	A-70400-0526
14-56-2022	A-70400-0666
14-56-2023	A-70400-0701
14-56-2024	A-70400-0841
14-56-2025	A-70400-0876
14-56-2026	A-70400-1016
14-56-2027	A-70400-1051
14-56-2028	A-70400-1191
14-56-2029	A-70400-1226
14-56-2031	A-70400-0527
14-56-2032	A-70400-0667
14-56-2033	A-70400-0702
14-56-2034	A-70400-0842
14-56-2035	A-70400-0877
14-56-2036	A-70400-1017
14-56-2037	A-70400-1052
14-56-2038	A-70400-1192
14-56-2039	A-70400-1227
14-56-2041	A-70400-0528
14-56-2042	A-70400-0668
14-56-2043	A-70400-0703
14-56-2044	A-70400-0843
14-56-2045	A-70400-0878
14-56-2046	A-70400-1018
14-56-2047	A-70400-1053
14-56-2048	A-70400-1193
14-56-2049	A-70400-1228
14-56-2051	A-70400-0529

Connector Series No.70400	
Order No.	Engineer No.
14-56-2052	A-70400-0669
14-56-2053	A-70400-0704
14-56-2054	A-70400-0844
14-56-2055	A-70400-0879
14-56-2056	A-70400-1019
14-56-2057	A-70400-1054
14-56-2058	A-70400-1194
14-56-2059	A-70400-1229
14-56-2061	A-70400-0530
14-56-2062	A-70400-0670
14-56-2063	A-70400-0705
14-56-2064	A-70400-0845
14-56-2065	A-70400-0880
14-56-2066	A-70400-1020
14-56-2067	A-70400-1055
14-56-2068	A-70400-1195
14-56-2069	A-70400-1230
14-56-2071	A-70400-0531
14-56-2072	A-70400-0671
14-56-2073	A-70400-0706
14-56-2074	A-70400-0846
14-56-2075	A-70400-0881
14-56-2076	A-70400-1021
14-56-2077	A-70400-1056
14-56-2078	A-70400-1196
14-56-2079	A-70400-1231
14-56-2081	A-70400-0532
14-56-2082	A-70400-0672

Connector Series No.70400	
Order No.	Engineer No.
14-56-2083	A-70400-0707
14-56-2084	A-70400-0847
14-56-2085	A-70400-0882
14-56-2086	A-70400-1022
14-56-2087	A-70400-1057
14-56-2088	A-70400-1197
14-56-2089	A-70400-1232
14-56-2091	A-70400-0533
14-56-2092	A-70400-0673
14-56-2093	A-70400-0708
14-56-2094	A-70400-0848
14-56-2095	A-70400-0883
14-56-2096	A-70400-1023
14-56-2097	A-70400-1058
14-56-2098	A-70400-1198
14-56-2099	A-70400-1233
14-56-2101	A-70400-0534
14-56-2102	A-70400-0674
14-56-2103	A-70400-0709
14-56-2104	A-70400-0849
14-56-2105	A-70400-0884
14-56-2106	A-70400-1024
14-56-2107	A-70400-1059
14-56-2108	A-70400-1199
14-56-2109	A-70400-1234
14-56-2111	A-70400-0535
14-56-2112	A-70400-0675
14-56-2113	A-70400-0710

Connector Series No.70400	
Order No.	Engineer No.
14-56-2114	A-70400-0850
14-56-2115	A-70400-0885
14-56-2116	A-70400-1025
14-56-2117	A-70400-1060
14-56-2118	A-70400-1200
14-56-2119	A-70400-1235
14-56-2121	A-70400-0536
14-56-2122	A-70400-0676
14-56-2123	A-70400-0711
14-56-2124	A-70400-0851
14-56-2125	A-70400-0886
14-56-2126	A-70400-1026
14-56-2127	A-70400-1061
14-56-2128	A-70400-1201
14-56-2129	A-70400-1236
14-56-2131	A-70400-0537
14-56-2132	A-70400-0677
14-56-2133	A-70400-0712
14-56-2134	A-70400-0852
14-56-2135	A-70400-0887
14-56-2136	A-70400-1027
14-56-2137	A-70400-1062
14-56-2138	A-70400-1202
14-56-2139	A-70400-1237
14-56-2141	A-70400-0538
14-56-2142	A-70400-0678
14-56-2143	A-70400-0713
14-56-2144	A-70400-0853

















Connector Series No.70475	
Order No.	Engineer No.
14-45-0606	A-70475-0250
14-45-0607	A-70475-0251
14-45-0608	A-70475-0252
14-45-0609	A-70475-0253
14-45-0610	A-70475-0254
14-45-0611	A-70475-0255
14-45-0612	A-70475-0256
14-45-0613	A-70475-0257
14-45-0614	A-70475-0258
14-45-0615	A-70475-0259
14-45-0616	A-70475-0260
14-45-0617	A-70475-0261
14-45-0618	A-70475-0262
14-45-0619	A-70475-0263
14-45-0620	A-70475-0264
14-45-0621	A-70475-0265
14-45-0622	A-70475-0266
14-45-0623	A-70475-0267

Connector Series No.70475	
Order No.	Engineer No.
14-45-0624	A-70475-0268
14-45-0625	A-70475-0269
14-45-1602	A-70475-0351
14-45-1603	A-70475-0352
14-45-1604	A-70475-0353
14-45-1605	A-70475-0354
14-45-1606	A-70475-0355
14-45-1607	A-70475-0356
14-45-1608	A-70475-0357
14-45-1609	A-70475-0358
14-45-1610	A-70475-0359
14-45-1611	A-70475-0360
14-45-1612	A-70475-0361
14-45-1613	A-70475-0362
14-45-1614	A-70475-0363
14-45-1615	A-70475-0364
14-45-1616	A-70475-0365
14-45-1617	A-70475-0366

Connector Series No.70475	
Order No.	Engineer No.
14-45-1618	A-70475-0367
14-45-1619	A-70475-0368
14-45-1620	A-70475-0369
14-45-1621	A-70475-0370
14-45-1622	A-70475-0371
14-45-1623	A-70475-0372
14-45-1624	A-70475-0373
14-45-1625	A-70475-0374
14-45-1802	A-70475-0421
14-45-1803	A-70475-0422
14-45-1804	A-70475-0423
14-45-1805	A-70475-0424
14-45-1806	A-70475-0425
14-45-1807	A-70475-0426
14-45-1808	A-70475-0427
14-45-1809	A-70475-0428
14-45-1810	A-70475-0429
14-45-1811	A-70475-0430

Connector Series No.70475	
Order No.	Engineer No.
14-45-1812	A-70475-0431
14-45-1813	A-70475-0432
14-45-1814	A-70475-0433
14-45-1815	A-70475-0434
14-45-1816	A-70475-0435
14-45-1817	A-70475-0436
14-45-1818	A-70475-0437
14-45-1819	A-70475-0438
14-45-1820	A-70475-0439
14-45-1821	A-70475-0440
14-45-1822	A-70475-0441
14-45-1823	A-70475-0442
14-45-1824	A-70475-0443
14-45-1825	A-70475-0444

## DESCRIPTION

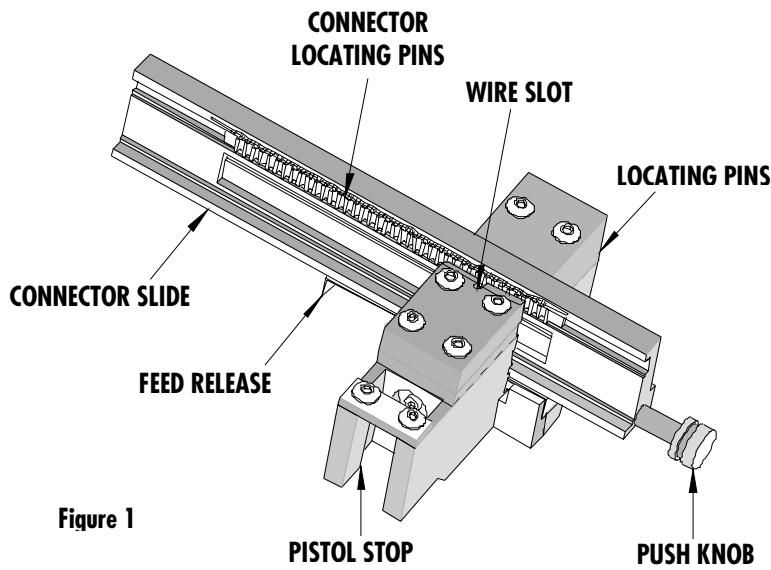


Figure 1

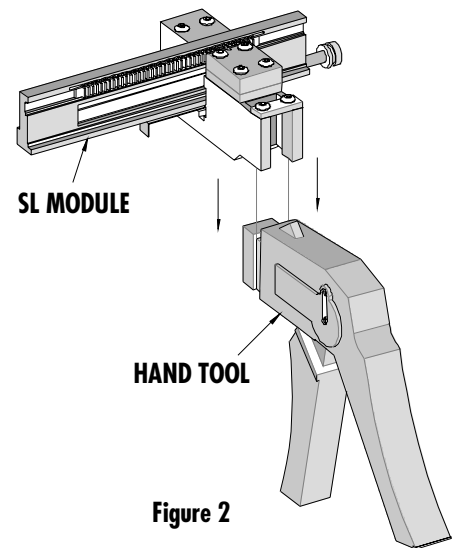


Figure 2

## INSTALLATION

To install the SL Module onto the hand tool, align the module and the tool as shown in Figure 2. Push the module down onto the hand tool until the stop on the module is firmly seated in the groove in the hand tool.

### Termination Depth Adjustment

The proper termination depth is the wire diameter plus .008".  
See Figure 3.

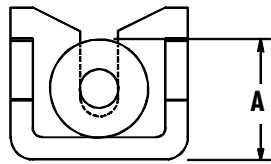


Figure 3

1. To adjust the depth of insertion of a wire into a terminal, remove the module from the hand tool.
2. Locate the adjusting screw on the back of the module. See Figure 4.
3. Turn this screw counterclockwise (CCW) to increase the depth or clockwise (CW) to decrease the insertion depth.

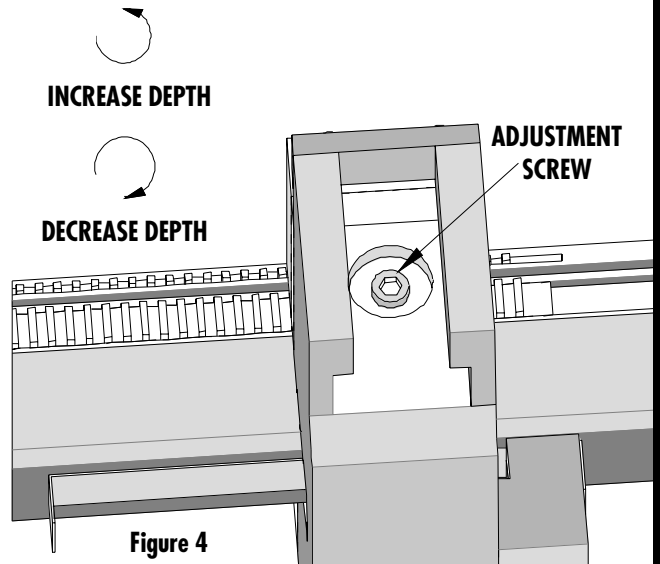


Figure 4

The termination depth can also be adjusted on the hand tool handle, see the hand tool handle instruction manual Order No. 63600-0478.  
See also product specification SDES-70400 for more information.

### OPERATION

1. To unlock the connector slide, push the feed release all the way to the right. See Figure 6.
2. Now shift the connector slide all the way back to the left by using the push knob on the end of the slide. See Figure 6.
3. Load a connector onto the connector slide by engaging the holes in the carrier strip onto the locating pins in the slide. See Figure 5. Make sure the first terminal on the connector is over the first termination position to the right on the connector slide.
4. While pressing the locating pin on the front of the SL module and pushing the connector slide at the same time to the right until it stops. This should put the first terminal in front of the wire slot. See Figure 6.
5. Place a wire into the wire slot and push down till it hits the wire stop. See Figure 7. This will determine the wire positioning in the terminal.

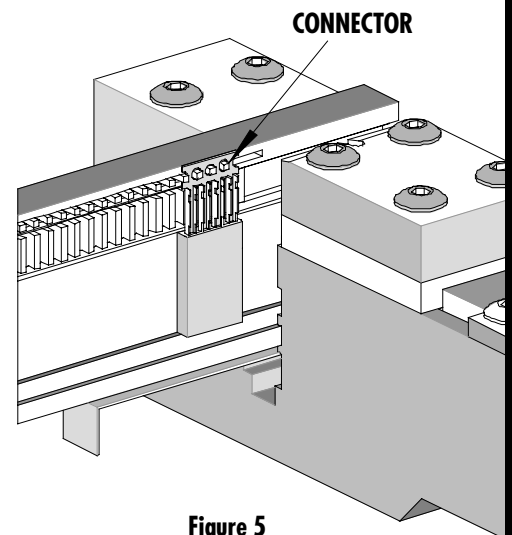


Figure 5

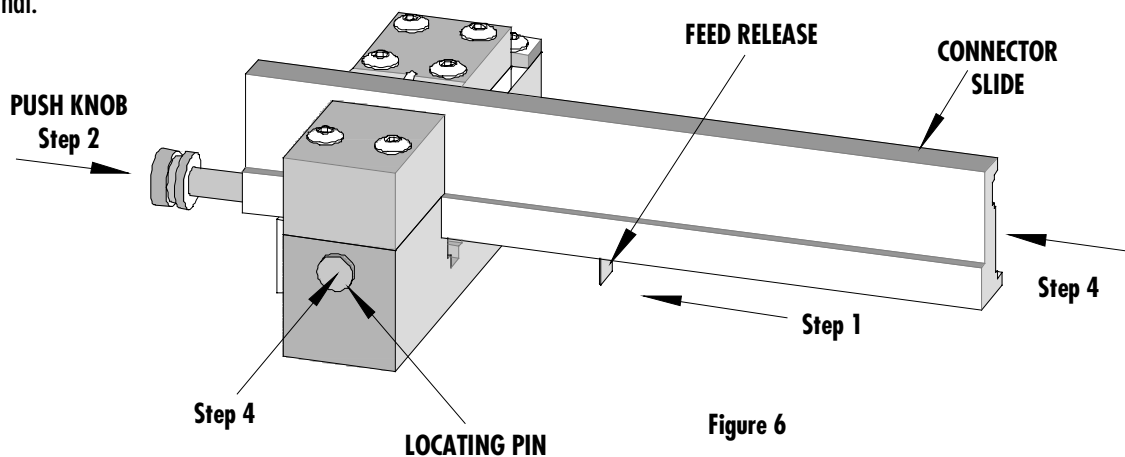


Figure 6

6. While holding the wire in place, squeeze the hand tool trigger. This will insert the wire into the terminal.

**NOTE:** There is a full stroke ratchet on the hand tool to insure complete termination. If something jams, the ratchet mechanism can be released by pushing upward on the ratchet pawl at the base of the trigger. See Figure 8.

7. Gently release the trigger. The connector slide will automatically index to the next position.
8. Repeat steps 5, 6, and 7 until all wires are terminated.
9. Push the feed release to the right to unlock the slide.
10. Push the slide all the way to the right and remove the completed connector assembly from the slide.
11. Return to step 2 to continue.

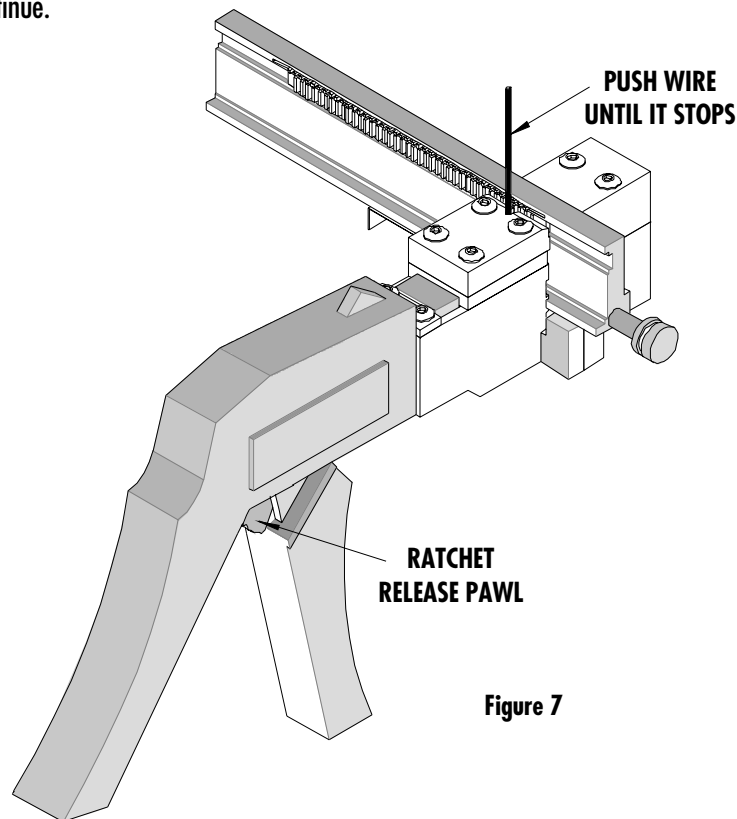


Figure 7

**Notes:**

1. Molex does not repair hand tools modules. If the module becomes damaged, a new tool must be purchased. See Hand Tool Manual (Order No. 63600-0478) for replacement parts for that tool.
2. Molex does not certify crimp hand tools.

**CAUTION:** Molex specifications are valid only when used with Molex terminals, applicators and tooling.

**Application Tooling Group**

1150 E. Diehl Road  
Naperville, IL, 60563  
Tel: 630-969-4550  
Fax: 630-505-0049

Visit our Web site at <http://www.molex.com>