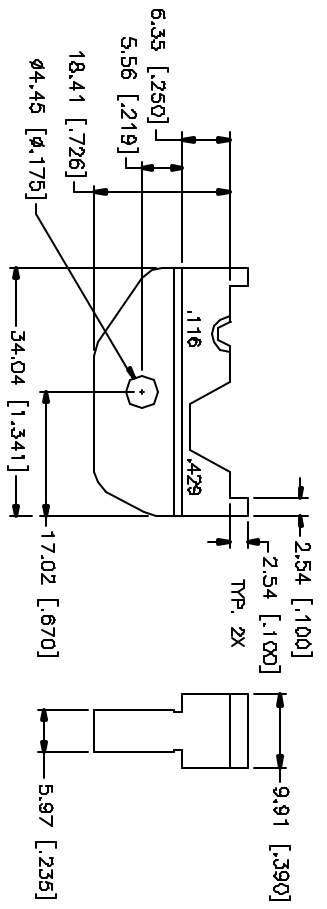
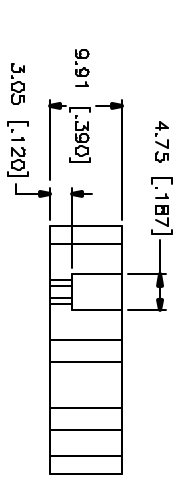
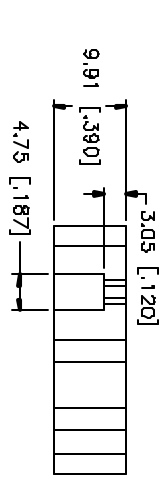
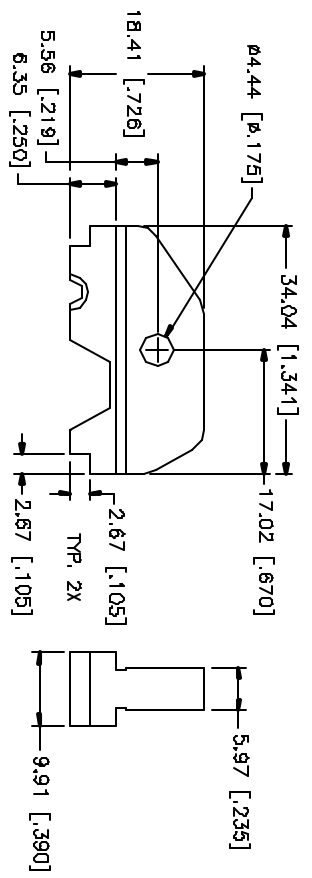
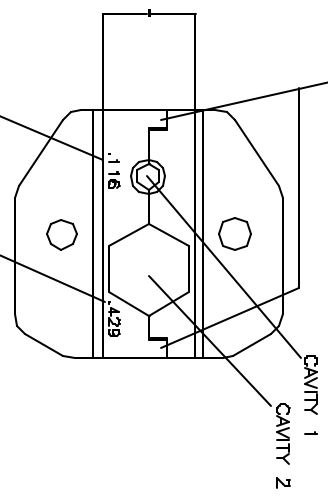


REV.	DATE	DESCRIPTION
A	08/31/04	UPDATE DRAWING FORMAT



DIE ALIGNMENT TEETH.



HEX SIZES STAMPED APPROX. AS SHOWN. COLOR FILLED-YELLOW OR WHITE.

CAVITY NO.	DIM. ADDRESS	HEX FLATS	GROOVE ACCOMMODATIONS
1		.116 ± .005	GENTER CONTACT
2		.429 ± .005	BEILDEN 9913, 9914

REV.	DATE	DESCRIPTION
B		
7		
6		
5		
4		
3		
2		
1		

DESCRIPTION	MATERIAL	FINISH	QTY
DIE BODY	CAST STEEL	BLK. OXIDE	

APPROVALS	DATE
DRAWN C.R.S.	08/31/04
CHECKED	
ISSUED	
SHEET 1 OF 1	

PART NO.	DWG. NO.	REV.	SIZE	SCALE
47-20027	47-20027.DWG	A	A	NA

UNLESS OTHERWISE SPECIFIED, DIMENSIONS ARE IN MILLIMETERS. DIMENSIONS IN [] ARE IN INCHES AND THE CUSTOMER RECEIVES ONLY. TOLERANCES FOR ALL DIMENSIONS:

UNLESS OTHERWISE SPECIFIED:

0.25 - 3.00mm ± 0.20mm
 3.00 - 120.00mm ± 0.50mm
 120.00 - 300.00mm ± 1.00mm
 300.00 - 600.00mm ± 1.50mm
 600.00 - 1200.00mm ± 2.00mm

UNLESS OTHERWISE SPECIFIED, DIMENSIONS ARE IN MILLIMETERS. DIMENSIONS IN [] ARE IN INCHES AND THE CUSTOMER RECEIVES ONLY. TOLERANCES FOR ALL DIMENSIONS:

UNLESS OTHERWISE SPECIFIED:

0.25 - 3.00mm ± 0.05mm
 3.00 - 120.00mm ± 0.15mm
 120.00 - 300.00mm ± 0.20mm

DO NOT SCALE DRAWING

DWG FILE C:/MISC/47-20027.DWG

Amphenol Connex

PART DESCRIPTION: CRIMP DIE SET