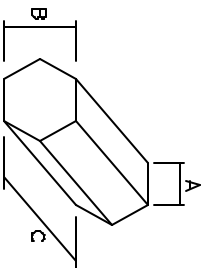
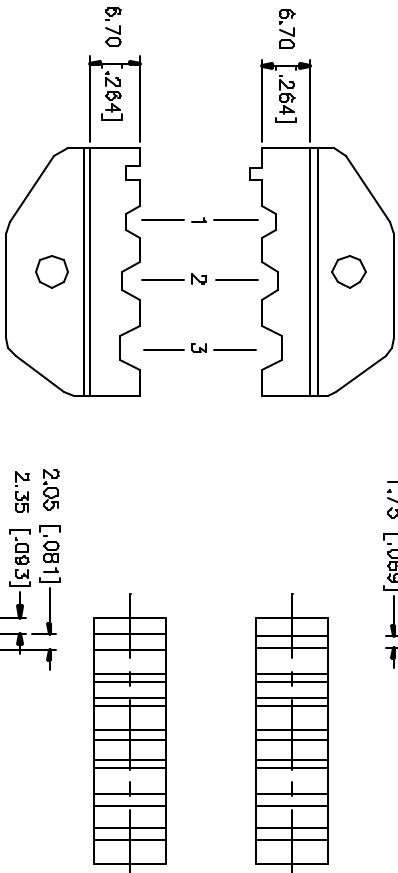
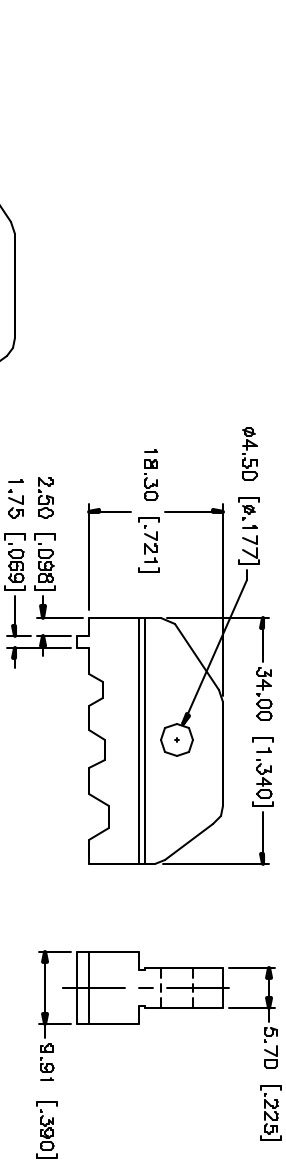


REV.	DATE
A	08/31/04

DESCRIPTION
UPDATE DRAWING FORMAT



	A	B	C
1	2.21 [.087]	3.83 [.151]	9.91 [.390]
2	2.61 [.103]	4.52 [.178]	9.91 [.390]
3	3.12 [.123]	5.41 [.213]	9.91 [.390]
4			

DESCRIPTION	MATERIAL	FINISH	QTY	UNIT	REMARKS	APPROVALS	DATE	PART NO.	DRG. NO.	REV.	SIZE	SCALE
DIE BODY	CAST STEEL	BLK. OXIDE						47-20008	47-20008.DWG	A	A	NA
<p>UNLESS OTHERWISE SPECIFIED DIMENSIONS ARE IN MILLIMETERS, DIMENSIONS IN [] ARE IN INCHES AND FOR QUANTITY REFERENCED DATA. DIMENSIONS FOR MILLIMETER ARE:</p> <p>0.5 - .020mm ± 0.20mm 30 - .30mm ± 0.40mm 30 - .20mm ± 0.50mm</p> <p>UNLESS OTHERWISE SPECIFIED DIMENSIONS FOR INCHES ARE:</p> <p>.020 - .315 ± 0.007" .315 - 1.180 ± 0.013" 1.180 - 4.724 ± 0.025"</p> <p>UNLESS OTHERWISE SPECIFIED DIMENSIONS FOR MILLIMETER ARE:</p> <p>0.5 - .020mm ± 0.20mm 30 - .30mm ± 0.40mm 30 - .20mm ± 0.50mm</p> <p>UNLESS OTHERWISE SPECIFIED DIMENSIONS FOR INCHES ARE:</p> <p>.020 - .315 ± 0.007" .315 - 1.180 ± 0.013" 1.180 - 4.724 ± 0.025"</p> <p>UNLESS OTHERWISE SPECIFIED DIMENSIONS ARE IN MILLIMETERS, DIMENSIONS IN [] ARE IN INCHES AND FOR QUANTITY REFERENCED DATA.</p>												
<p>UNLESS OTHERWISE SPECIFIED DIMENSIONS ARE IN MILLIMETERS, DIMENSIONS IN [] ARE IN INCHES AND FOR QUANTITY REFERENCED DATA.</p>						<p>APPROVALS</p> <p>DATE</p>		<p>Amphenol Connex</p> <p>CRIMP DIE SET</p>				
<p>UNLESS OTHERWISE SPECIFIED DIMENSIONS ARE IN MILLIMETERS, DIMENSIONS IN [] ARE IN INCHES AND FOR QUANTITY REFERENCED DATA.</p>						<p>DRAWN G.R.S.</p> <p>08/31/04</p>		<p>PART DESCRIPTION</p> <p>CRIMP DIE SET</p>				
<p>UNLESS OTHERWISE SPECIFIED DIMENSIONS ARE IN MILLIMETERS, DIMENSIONS IN [] ARE IN INCHES AND FOR QUANTITY REFERENCED DATA.</p>						<p>CHECKED</p>		<p>PART NO.</p> <p>47-20008</p>				
<p>UNLESS OTHERWISE SPECIFIED DIMENSIONS ARE IN MILLIMETERS, DIMENSIONS IN [] ARE IN INCHES AND FOR QUANTITY REFERENCED DATA.</p>						<p>ISSUED</p>		<p>DRG. NO.</p> <p>47-20008.DWG</p>				
<p>UNLESS OTHERWISE SPECIFIED DIMENSIONS ARE IN MILLIMETERS, DIMENSIONS IN [] ARE IN INCHES AND FOR QUANTITY REFERENCED DATA.</p>						<p>SHEET 1 OF 1</p>		<p>REV. A</p> <p>SIZE A</p> <p>SCALE NA</p>				
<p>UNLESS OTHERWISE SPECIFIED DIMENSIONS ARE IN MILLIMETERS, DIMENSIONS IN [] ARE IN INCHES AND FOR QUANTITY REFERENCED DATA.</p>						<p>APP. FILE</p> <p>C:/MISC/47-20008.DWG</p>		<p>REV. A</p> <p>SIZE A</p> <p>SCALE NA</p>				