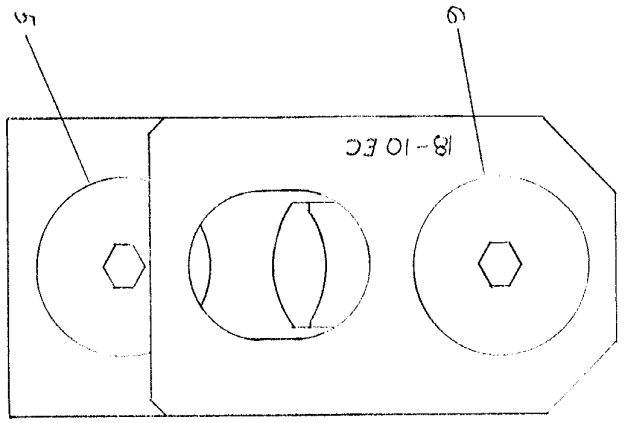
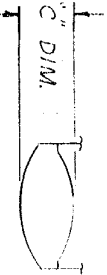


PRINT/DIST

DIMENSIONS IN INCHES. DO NOT SCALE PRINT.



ENLARGED VIEW OF CRIMP
SCALE 4-1



"C" DIM.	GO	.115	.121
----------	----	------	------

1A	3-306/31-6	SCREEN - SPECIAL	5
1A	306592-3	SCREEN - SPECIAL	5
1B	46109	LOCATOR	4
1B	46109	INSERT INDENTER	3
2A	1-21046-3	RING-RETAINING	2
1B	46108	INSERT ANVIL	1

REVISION RECORD	DR	CHK	DATE
H REVISED	REV	-	8-22
G REVISED	446	8-22	8-22
F REVISED	447	8-22	8-22
E REVISED	CM	8-22	8-22
D REDAWN	BS	8-22	8-22

NUMBER	47811
DESCRIPTION	
REQUIRED PER ASSEMBLY	

DR: *G. J. [Signature]* 8-22-63

CHK: *[Signature]* 9-4-63

APP: *[Signature]* 9-4-63

WIRE - RANGE - INSULATION: 18-10

SCALE: 4-1

TO TOLERANCE EXCEPT: ± .015

NAME: STRAIGHT ACTION AIR TOOL INSERT ASSEMBLY

CLASS: EC

LOG: M

NO: 47811

REV: 1

REMARKS: CUSTOMER COPY REFERENCE ONLY

AMP INCORPORATED HARRISBURG, PENNA.