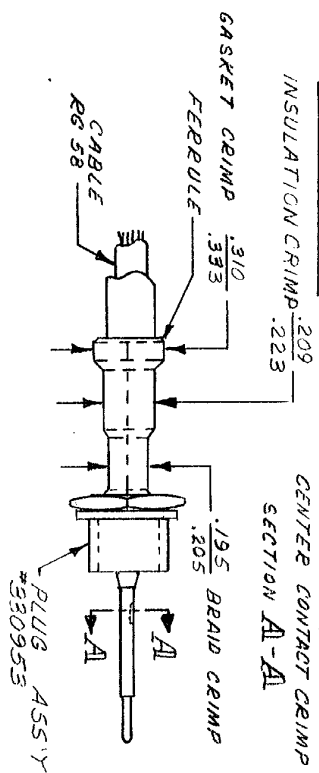


.00" CRIMP	
GO	NO GO
.075	.079



METHOD OF GAGING CRIMP DIMS.
THE CRIMP DIMS APPLY ONLY TO THE ABOVE
COMBINATIONS ON A CRIMPED PRODUCT.
SUPERSEDED BY 15 2610

1	306328	INDENTER - GASKET	12
1	306332	INDENTER - INSULATION	11
1	306330	INDENTER - BRAID	10
1	6-305832-7	SPACER	9
1	306949	INDENTER	8
2	1-21046-3	RING - RETAINING	7
1	45969-3	ANVIL - BARREL	6
1	1-59672-4	SPACER - UPPER	5
1	306331	ANVIL - BRAID	4
1	306333	ANVIL - INSULATION	3
1	306329	ANVIL - GASKET	2
2	6-306637-5	SCREW	1

REVISION RECORD	NUMBER	DESCRIPTION	REQUIRED PER ASSEMBLY
B	5	69815	
A	4	69815	
B	3	69815	
A	2	69815	
B	1	69815	

DR: *W. J. ...* 5-25-67
 CRK: *O. J. ...* 5-31-67
 DIE: *...* 6-19-67

WIRE - RANGE - INSULATION: **B**
 TYPE: **BNC & TNC**
 TO: **69815**
 FROM: **...**

CLASS: **B**
 NAME: **DIE ASSEMBLY**

CUSTOMER COPY
 REFERENCE ONLY
 AMP INCORPORATED
 HARRISBURG, PENNA.