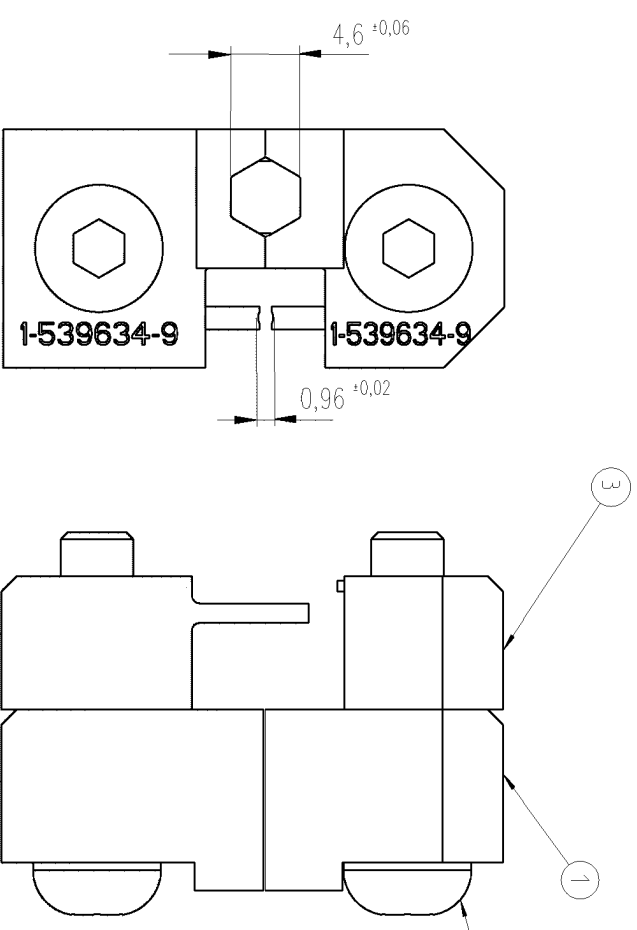
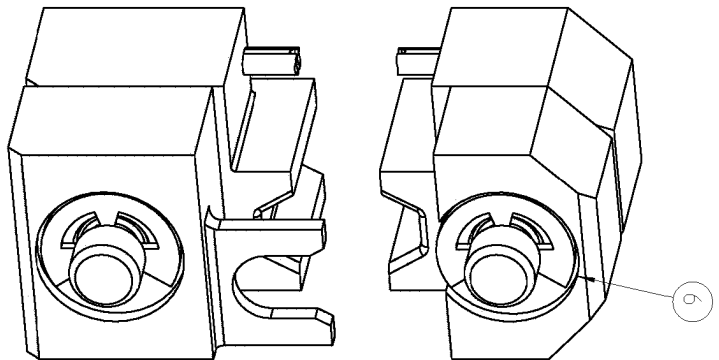


Die Set-Assembly for processing of Size 8 Coaxial RF stright contacts



For processing of following
 Size 8 Coaxial RF 50-Ohm
 and non Impedance Matched
 Pin and Socket Contact Kits

PN 1740412-1
PN 1740413-1
PN 1394858-1
PN 1394879-1
PN 1418669-1
PN 1418670-1



NO	QTY	DESCRIPTION	ITEM NO
2	A4	0-519067-7	-
2	A4	2-539784-5	-
1	A3	5-539783-4	A
1	A4	5-539783-5	A
1	A3	5-539783-2	A
1	A3	5-539783-3	A

Use this die set in combination with SAHT hand tool PN 69710-1
 Instruction Sheet 408-2095

DIMENSIONS: MM 		TOLERANCES UNLESS OTHERWISE SPECIFIED: ±0.10 ±0.15 ±0.20 ±0.30 ±0.50	
FINISH: -		DWN: Ch. with 19APR2007	
MATERIAL: -		NAME: tyco Electronics D - 64625 Bensheim	
PRODUCT SPEC: -		DIE SET ASSEMBLY FOR SIZE 8 COAX Matrizeinsatz fuer koax Groesse 8	
APPLICATION SPEC: -		SIZE: A3 CAGE CODE: 00779 DRAWING NO: G=1-539634-9	
WEIGHT: -		SCALE: 1:1	
CUSTOMER DRAWING: -		SHEET: 1 OF 1	
RESTRICTED TO: -		REV: A	