

4

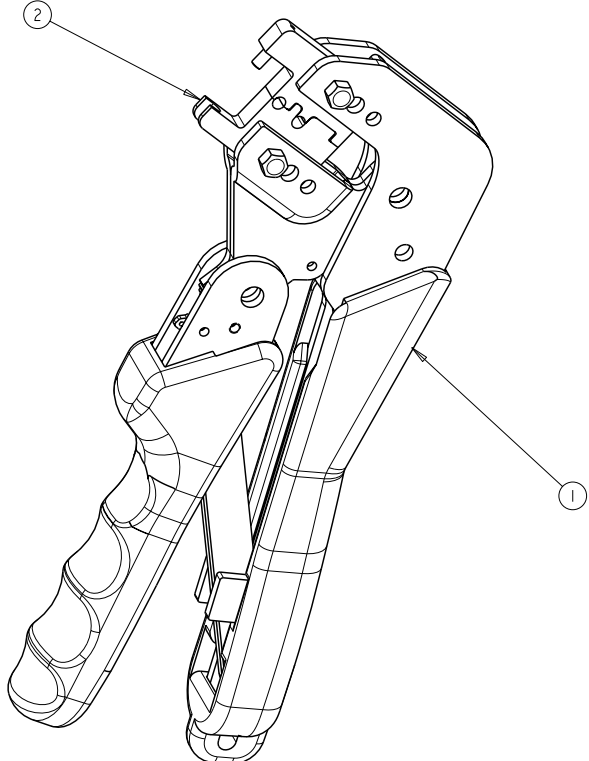
3

2

1

THIS DRAWING IS UNPUBLISHED. RELEASED FOR PUBLICATION 20  
 © COPYRIGHT 20 BY TYCO ELECTRONICS CORPORATION. ALL RIGHTS RESERVED.

LOC	DIST	REVISIONS					
		P	LTR	DESCRIPTION	DATE	DWN	APVD
CE	00	C		REV PER ECR 06-020820	31AUG2006	DDE	MG
		D		REVISE PER ECR-08-015995	28AUG2008	BB	DK
		DI		DRAWING CORRECTION	18SEP2008	BB	DK



	PART NO	DESCRIPTION	ITEM NO
I	1754136-1	DIESET, LIGHTCRIMP PLUS LC	2
I	1976850-2	HANDTOOL, PRO-CRIMPER II	1

<small>THIS DRAWING IS A CONTROLLED DOCUMENT FOR TYCO ELECTRONICS CORPORATION          IT IS SUBJECT TO CHANGE AND THE CONTROLLING ENGINEERING ORGANIZATION          SHOULD BE CONTACTED FOR THE LATEST REVISION.</small>		DWN 13AUG2004 D ERDMAN CHK 13AUG2004 M GURRERI APVD 13AUG2004 B EDWARDS	Tyco Electronics Harrisburg, PA 17105-3608
DIMENSIONS: mm [INCHES]	TOLERANCES UNLESS OTHERWISE SPECIFIED: 0 PLC ±- 1 PLC ±0.5 2 PLC ±0.13 3 PLC ±0.013 4 PLC ±0.0001 ANGLES 0°	NAME ASSEMBLY, PRO-CRIMPER II HANDTOOL LightCrimp Plus LC DIESET	RESTRICTED TO
MATERIAL - FINISH -	APPLICATION SPEC - WEIGHT -	SIZE A3 CAGE CODE 00779 DRAWING NO C-1754137	CUSTOMER DRAWING

AMP 1470-19 REV 31MAR2000  
 Pro/ENGINEER DRAWING