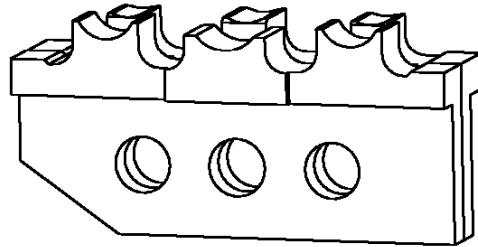
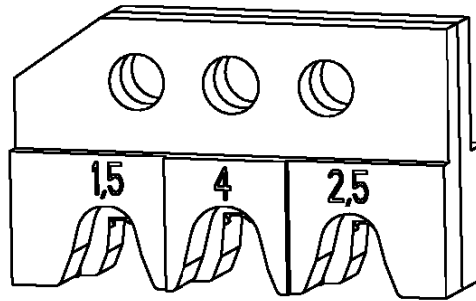


LOC	DIST	REVISIONS					
A1	-	P	LTR	DESCRIPTION	DATE	DWN	APVD
			A	new drawing	11FEB2002	-	-

Kontakt Contact	DGB (mm ²) Wire Range	Drahtcrimp/Wirecrimp		Isocrimp	Iso.-Ø Ins. Range	Dichtung Seal	Betriebsanl. Instr. Sheet
		Hoehe/Height	Breite/Width	Breite/Width			
967717 / 967723 / 968876	1.5	1.58	2.54	4.19	2.2-2.4	828905	411-18177
	2.5	1.88			2.7-3.0		
968877	4.0	2.27	3.05	5.08	3.4-3.7		



539727-2	1	0-539787-7	locator ass.	Positioniereinheit	A
	1	1-539786-9	contact guide	Kontaktabstuetzung	A
	1	1-519151-3	screw M4x25	Schraube M4x25	A
	1	1-519151-2	screw M4x20	Schraube M4x20	A
	1	0-519024-2	hex nut M4	Mutter M4 DIN 985	A
	1	0-519021-8	hex nut M4	Mutter M4 DIN 934	A
	QTY Stck	PN	Description	Benennung	REV

RELEASED FOR PUBLICATION 19

THIS DRAWING IS UNPUBLISHED.

BY TYCO ELECTRONICS CORPORATION. ALL RIGHTS RESERVED.
COPYRIGHT 19

DIMENSIONS: mm-DIN 7168-m		DWN M.Weberdoerfer	18NOV99	MATERIAL	-	FINISH	-
TOLERANCES UNLESS OTHERWISE SPECIFIED: 0 PLC ± 1 PLC ± 2 PLC ± 3 PLC ± 4 PLC ± ANGLES ±		CHK U.Reuter	18NOV99	AMP tyco Electronics AMP GmbH D - 64625 Bensheim			
		APVD	-				
		PRODUCT SPEC	-	NAME ERGOCRIMP Die Set for MCP 2.8 mm (SWS) and 2.8 mm Sensor-Flattype Rec. (SWS)			
		APPLICATION SPEC	-	SIZE	CAGE CODE	DRAWING NO	RESTRICTED TO
		WEIGHT	-	A 4	00779	C=539727-2	-
CUSTOMER DRAWING				SCALE	2:1	SHEET	1 OF 1
						REV	A