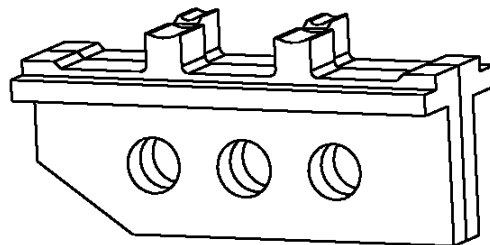
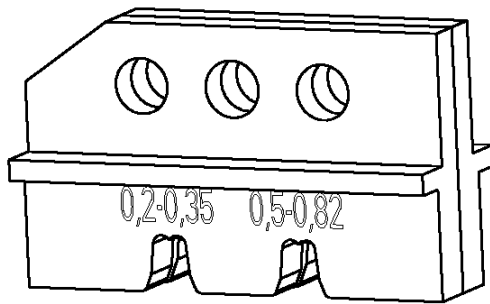


LOC	DIST	REVISIONS					
A1	-	P	LTR	DESCRIPTION	DATE	DWN	APVD
			A1	ECR-08-020995	29AUG2008	witt	-

Kontakt Contact	DGB (mm^2)	Drahtcrimp/W irecrimp		Isocrimp	Ins.-∅	Betriebsanl.
	Wire Range	Hoehe/Height	Breite/W idth	Breite/W idth	Ins. Range	Instr. Sheet
926895/926896/926897 163557/163558	0.2-0.35	1.02	1.78	2.54	max. 2.5	411-18103
	0.5-0.82	1.12				



539680-2	1	1-539787-0	locator ass.	Positioniereinheit	A
	1	1-519151-3	screw M4x25	Schraube M4x25	A
	1	0-519151-9	screw M4x10	Schraube M4x10	A
	1	0-519024-2	hex nut M4	Mutter M4 DIN 985	A
	QTY Stck	PN	Description	Benennung	REV

RELEASED FOR PUBLICATION 19

THIS DRAWING IS UNPUBLISHED.

BY TYCO ELECTRONICS CORPORATION. ALL RIGHTS RESERVED.
COPYRIGHT 19

DIMENSIONS: mm-DIN 7168-m		DWN M.Weberdoerfer 12NOV99	MATERIAL -	FINISH -		
TOLERANCES UNLESS OTHERWISE SPECIFIED: 0 PLC ± 1 PLC ± 2 PLC ± 3 PLC ± 4 PLC ± ANGLES ±		CHK J.Reuter 12NOV99	AMP tyco Electronics AMP GmbH D - 64625 Bensheim			
		APVD -				
		PRODUCT SPEC -	NAME ERGOCRIMP Die Set for Universal MATE-N-LOK			
		APPLICATION SPEC -	SIZE A 4	CAGE CODE 00779	DRAWING NO C=539680-2	
		WEIGHT -	RESTRICTED TO -			
		CUSTOMER DRAWING		SCALE 2:1	SHEET 1 OF 1	REV A1