

4

3

2

1

THIS DRAWING IS UNPUBLISHED.

RELEASED FOR PUBLICATION

2008

© COPYRIGHT 2008

BY TYCO ELECTRONICS CORPORATION. ALL RIGHTS RESERVED.

LOC	DIST	REVISIONS					
		P	LTR	DESCRIPTION	DATE	DWN	APVD
AI	-	-	-				

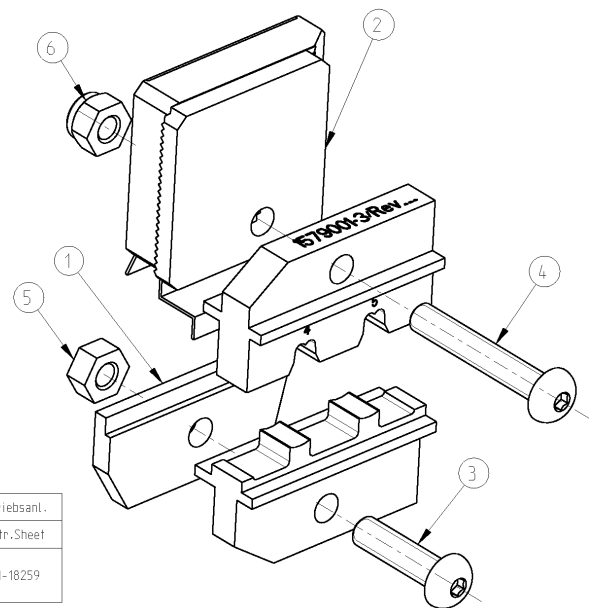
ERGOCRIMP DIE SET FOR UMNL TERMINALS WIRE SIZES 4,0 AND 5,0 mm²

Matrize in Kombination mit Ergocrimp Basishandzange TE P/N 539635-1 verwenden
Use die set in combination with Ergocrimp basis hand tool TE P/N 539635-1

Matrize im Karton mit Bedienungsanleitung 411-18259 verpackt
Die set packed in a cardboard with instruction sheet 411-18259

1579001-3	1	2-0744010-1	Instruction Sheet	Bedienungsanleitung	7
	1	0-0519024-2	Nut M4 DIN 985	Mutter M4 DIN 985	6
	1	0-0519021-8	Nut M4 DIN 934	Mutter M4 DIN 934	5
	1	1-0519151-3	Screw M4x25	Schraube M4x25	4
	1	1-0519151-1	Screw M4x16	Schraube M4x16	3
	1	1-1579005-5	Locator Assembly	Drahtanschlag	2
	1	1-1579005-4	Contact Guide	Kontaktabstuetzung	1
QTY		TE P/N	Description	Benennung	Pos.
Stck					

Kontakt	DGB (mm ²)	Drahtcrimp / Wire Crimp		Isolationscrimp / Insulation Crimp		Isol.Ømm	Betriebsanl.
Contact	Wire Range	Hoehe/Height mm	Breite/Width mm	Hoehe/Height mm	Breite/Width mm	Ins.Range	Instr.Sheet
640309/640310	4.0	2.09 ±0.05	3,56 F	-----	-----	5,1 max.	411-18259
770234/770246/770247	5.0	2.31 ±0.05		-----	-----		



<small>THIS DRAWING IS A CONTROLLED DOCUMENT FOR TYCO ELECTRONICS CORPORATION IT IS SUBJECT TO CHANGE AND THE CONTROLLING ENGINEERING ORGANIZATION SHOULD BE CONTACTED FOR THE LATEST REVISION.</small>		DWN 28 JUL 2008 CHK Ch.Witt APVD - PRODUCT SPEC - APPLICATION SPEC - WEIGHT 200 g	tyco Electronics tyco Electronics AMP GmbH D - 64625 Bensheim
DIMENSIONS: mm 	TOLERANCES UNLESS OTHERWISE SPECIFIED: 0 PLC ± 1 PLC ± 2 PLC ± 3 PLC ± 4 PLC ± ANGLES ±°	NAME ERGOCRIMP DIE SET FOR UMNL TERMINALS Ergocrimp Matrize fuer UMNL-Kontakte SIZE A3 CAGE CODE 00779 DRAWING NO. C-1579001-3	RESTRICTED TO -
MATERIAL -	FINISH -	CUSTOMER DRAWING	SCALE 2:1 SHEET 1 OF 1 REV A

AMP 1470-19 REV 31MAR2000

P:0/ENGINEER DRAWING