

REVISIONS			
LTR	DESCRIPTION	DATE	APPD
000	REDRAWN	28 NOV 97	-
-	-	-	-
-	-	-	-

LOC	H	DIST	-
-----	---	------	---

ITEM NO.	1	DESCRIPTION	Material	Finish
----------	---	-------------	----------	--------

FINISH	AMP Communication Equipment Business Unit s-Hertogenbosch, The Netherlands
NAME	DIE SET for type III/XII contacts
SIZE	A3
CAGE CODE	00779
DRAWING NO	C-169917
SCALE	2:1
SHEET	1
OF	1
REV	A00

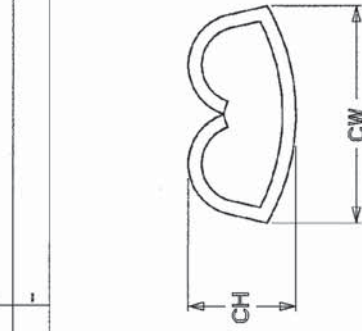
PROF CONTACT	WIRE RANGE	INS. RANGE	wire CH	wire CW
--------------	------------	------------	---------	---------

1	927779	0,5 - 1,0 mm ²	1,4 - 2,0 mm	1,28±0,05	2,00
2	927783	0,5 - 1,0 mm ²	2,0 - 2,7 mm	1,28±0,05	2,00
3	927777	1,25 - 2,5 mm ²	2,1 - 2,9 mm	1,60±0,05	2,80
4	927781	1,25 - 2,5 mm ²	2,7 - 3,7 mm	1,60±0,05	2,80

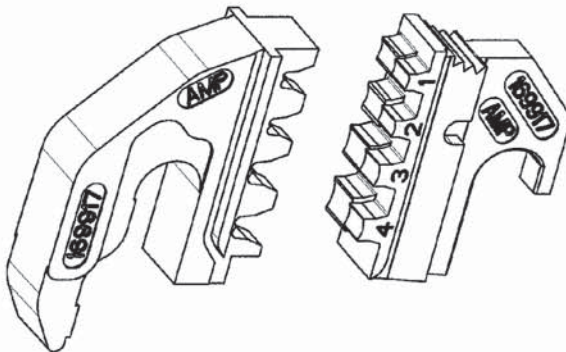
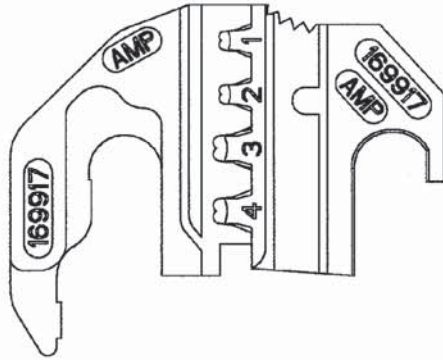
TOLEANCES UNLESS OTHERWISE SPECIFIED:	
0 PLC	±
1 PLC	±
2 PLC	±
3 PLC	±
4 PLC	±
ANGLES	± 0,5°
FINISH	

DIMENSIONS:	

MATERIAL	
----------	--



CH = CRIMP HEIGHT
CW = CRIMP WIDTH



THIS DRAWING IS UNPUBLISHED.
 © COPYRIGHT 1997 BY AMP HOLLAND B.V. ALL RIGHTS RESERVED.