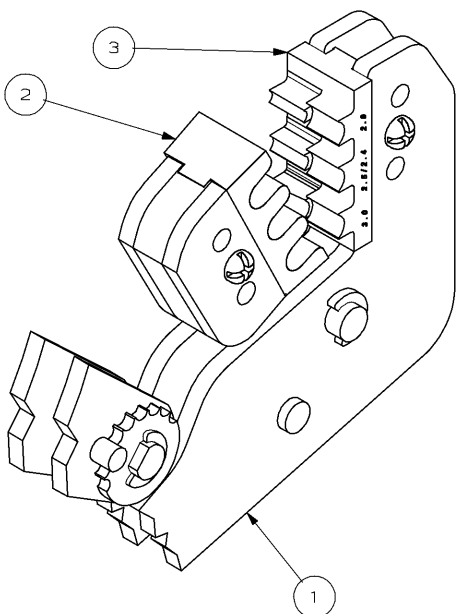


DRAWING MADE IN THIRD ANGLE PROJECTION

THIS DRAWING IS UNPUBLISHED. RELEASED FOR PUBLICATION, 19 .
 © COPYRIGHT 19 BY AMP INCORPORATED. ALL INTERNATIONAL RIGHTS RESERVED.

LOC	DIST	REVISIONS				DATE	APPD
CE	16	P	F	ZONE	LTR	DESCRIPTION	
					A	REVISE PER 0A00-0731-98	15DEC98 JPM/SB



ITEM NO	DESCRIPTION	QUANTITY
1	ANVIL, CRIMP TOOL	3
1	INDENTER, CRIMP TOOL	2
1	HANDTOOL, PRO-CRIMPER, BLUE HANDLES	1

DO NOT SCALE PRINT. UNLESS SPECIFIED DIMENSIONS IN INCHES TOLERANCES ON: 2 PLC DEC ± - 3 PLC DEC ± - ANGLES ± -		DR 5-22-96 B.BRIGGS	AMP INCORPORATED Harrisburg, Pa. 17105	NAME	
MATERIAL	FINISH	CHK 5-22-96 B.BRIGGS		AMP SC/FC TRI-CRIMP DIESET, WITH PROCRIMPER HAND TOOL	
		APPD 5-22-96 B.PARKER	SIZE	FSCM NO	DRAWING NO
		APPD 5-22-96 D.STAKEN	B	00779	492026
		PRODUCT SPEC	SCALE	2:1	SHEET 1 OF 1
		APPLICATION SPEC			
		WEIGHT			

AMP 1470-15 REV 3-87
 15-DEC-98 09:48:03 amp40972 /home/amp40972/edmod

CUSTOMER DRAWING