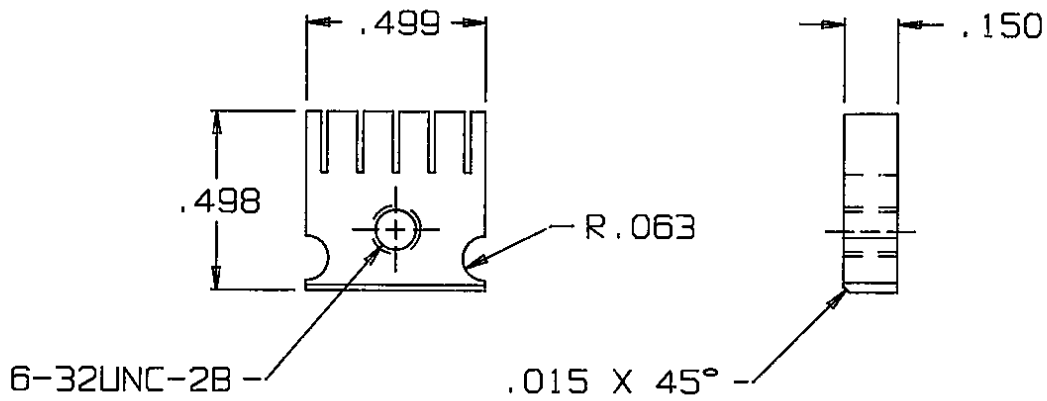


LOC AD	DIST 47	REVISIONS				
P	LTR	DESCRIPTION	DATE	OWN	APVD	
	A	REVISED & REDRAWN PER EC 0430-0387-97	10-27-97	JG	BE	



THIS DRAWING IS UNPUBLISHED. ALL RIGHTS RESERVED. BY AMP INCORPORATED. COPYRIGHT 19

767530-1
PART
NUMBER

DIMENSIONS: INCHES	OWN J. GERACE	10-27-97	MATERIAL TOOL STEEL	FINISH -
	CHK R. ELICKER	10-27-97	AMP Incorporated Harrisburg, PA 17105-3608	
TOLERANCES UNLESS OTHERWISE SPECIFIED:	APVD A. MONK	10-27-97		
0 PLC ±-	PRODUCT SPEC	-	SIZE A4	CAGE CODE 00779
1 PLC ±-	APPLICATION SPEC	-	DRAWING NO ©=767530	SCALE 2:1
2 PLC ±-	WEIGHT	-	SHEET 1 OF 1	REV A
3 PLC ±.005	CUSTOMER DRAWING			
4 PLC ±-				
ANGLES ±-				