

4

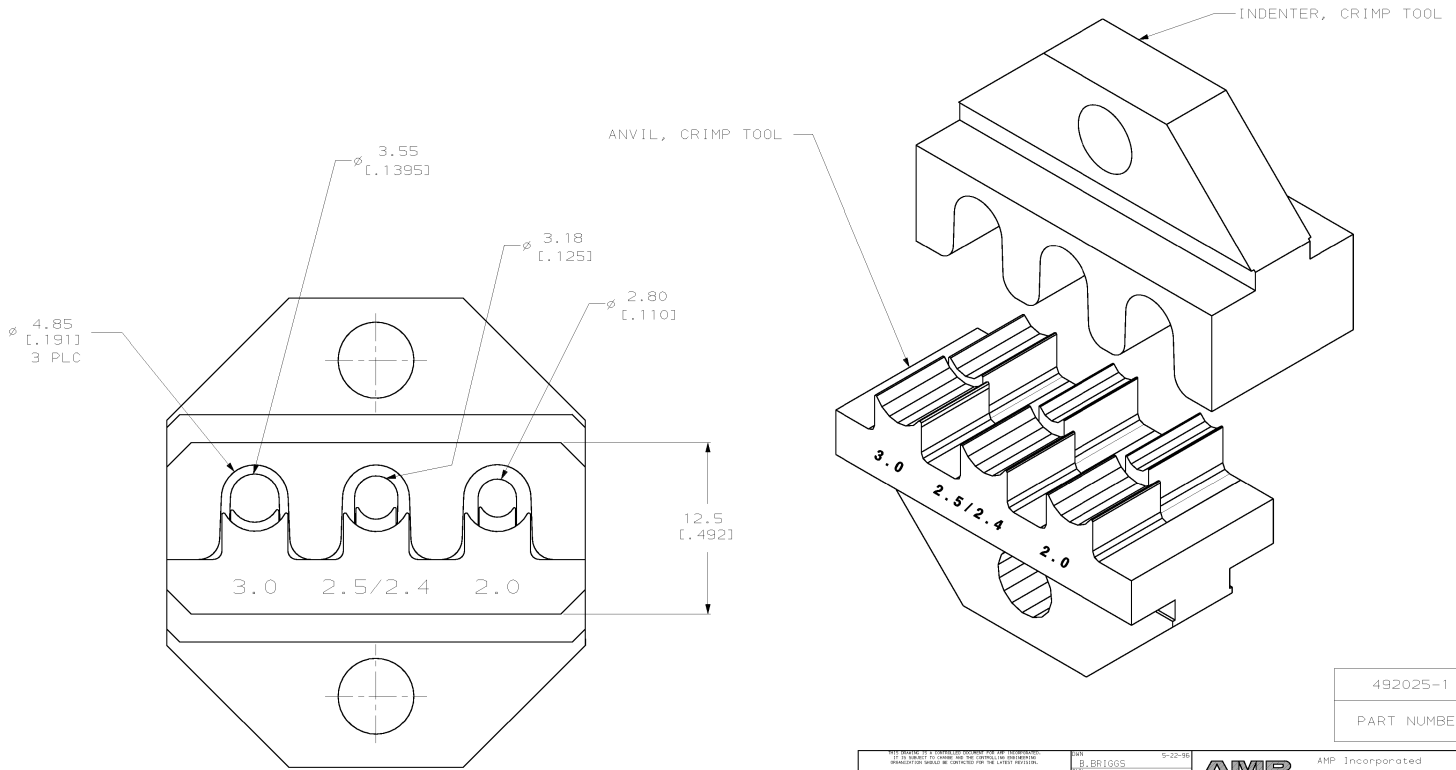
3

2

1

THIS DRAWING IS UNPUBLISHED. RELEASED FOR PUBLICATION
 (C) COPYRIGHT 19 BY AMP INCORPORATED. ALL RIGHTS RESERVED.

REV. NO.		REV. DATE		REVISIONS	
CE	16				
B		REV PER	0A00-0364-00	DATE	5-24-00
				DESIGN	DDE
				APP'D	SM



492025-1
 PART NUMBER

<small>NOT WITHIN TOLERANCE SPECIFICATION FOR DIMENSIONS UNLESS SPECIFICALLY NOTED TO THE CONTRARY.</small>		DATE: 5-22-98 BY: B. BRIGGS CHECKED: B. PARKER DATE: 5-22-98 DRAWN: D. STARKER DATE: 5-22-98	AMP AMP Incorporated Harrisburg, PA 17105-3608
DIMENSIONS: mm (INCHES)	TOLERANCES UNLESS OTHERWISE SPECIFIED:	DIESET, PROCRIMPER, AMP SC/FC, DUAL CRIMP, 3.0mm, 2.5/2.4mm, 2.0mm	SIZE: A2 CASE CODE: 00779 PARTING NO: 492025
MATERIAL: - FINISH: -	DIMENSIONS:	APPLICATION SPEC: - WEIGHT: - CUSTOMER DRAWING: -	SCALE: 10:1 SHEET: 1 OF 1 REV: B

AMP 1471-9 REV 10/93
 24-MAY-00 08:01:19 amp18169/home/amp18169/edmod

492025

A