

4

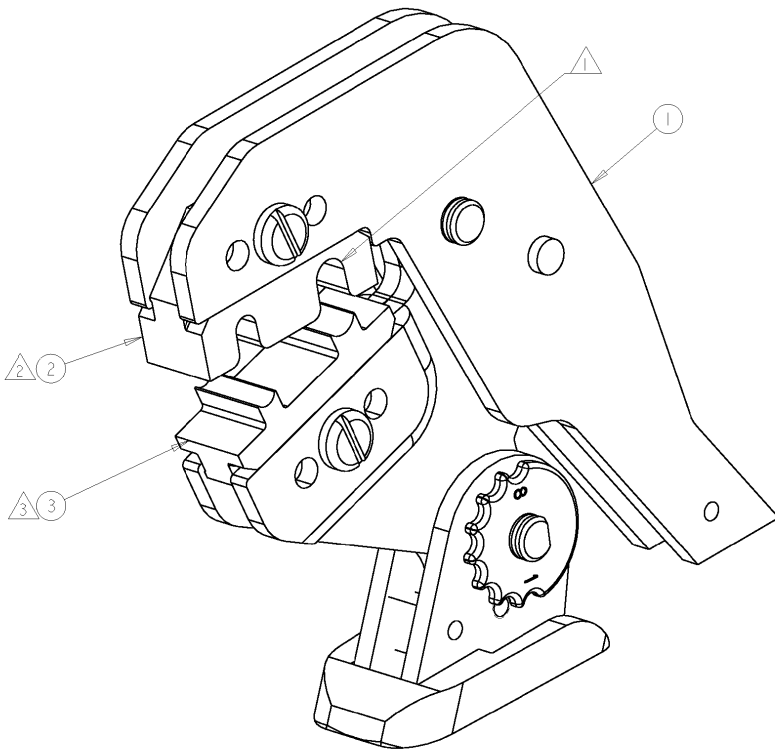
3

2

1

THIS DRAWING IS UNPUBLISHED. RELEASED FOR PUBLICATION  
 © COPYRIGHT 20 BY TYCO ELECTRONICS CORPORATION. ALL RIGHTS RESERVED.

LOC	DIST	REVISIONS				
P	LTR	DESCRIPTION	DATE	DWN	APVD	
	C	REVISED PER 0A00-0130-01	29JAN2002	TA	DK	



- ① LARGE CRIMP DIAMETER TO THE BACK OF HANDTOOL.
- ② INDENTER TO BE PLACED IN UPPER STATIONARY JAW.
- ③ ANVIL TO BE PLACED IN LOWER MOVABLE JAW.

I	ANVIL, CRIMP TOOL	3
I	INDENTER, CRIMP TOOL	2
I	HANDTOOL, PRO-CRIMPER, BLUE HANDLES	1
-I	DESCRIPTION	ITEM NO

<small>THIS DRAWING IS A CONTROLLED DOCUMENT FOR TYCO ELECTRONICS CORPORATION          IT IS SUBJECT TO CHANGE AND THE CONTROLLING ENGINEERING ORGANIZATION          SHOULD BE CONTACTED FOR THE LATEST REVISION.</small>		DWN T. ALEXANDER 28AUG2000	<b>AMP</b> Tyco Electronics Harrisburg, PA 17105-3608	
DIMENSIONS: INCHES		CHK M. HAMONKO 29AUG2000	NAME HANDTOOL W/DIESET, NEXT GENERATION, AMP SC/FC, BLUE HANDLES	
TOLERANCES UNLESS OTHERWISE SPECIFIED: 0 PLC ± 1 PLC ± 2 PLC ± 3 PLC ± 4 PLC ± ANGLES ±		APVD S. BUCHTER 29AUG2000	RESTRICTED TO	
MATERIAL	FINISH	PRODUCT SPEC	SIZE A3	CAGE CODE 00779
		APPLICATION SPEC	DRAWING NO C-503911	
		WEIGHT	SCALE 2:1	SHEET 1
CUSTOMER DRAWING			REV C	

AMP 1470-19 REV 31MAR2000

Proj/ENGINEER DRAWING