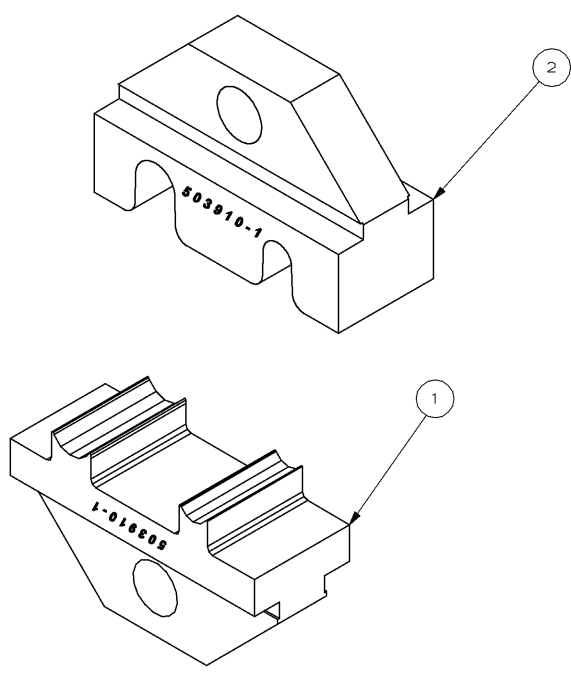


DRAWING MADE IN THIRD ANGLE PROJECTION

THIS DRAWING IS UNPUBLISHED. RELEASED FOR PUBLICATION, 19 .

© COPYRIGHT 19 BY AMP INCORPORATED. ALL INTERNATIONAL RIGHTS RESERVED.

LOC	DIST	REVISIONS				
P	F	ZONE	LTR	DESCRIPTION	DATE	APPD
CE	16			0 REL PER NPR 95-59	2-10-95	BB/TF



ITEM NO	DESCRIPTION	ITEM NO
1	INDENTER, CRIMP TOOL	2
1	ANVIL, CRIMP TOOL	1
-1	DESCRIPTION	ITEM NO

DO NOT SCALE PRINT. UNLESS SPECIFIED DIMENSIONS IN INCHES TOLERANCES ON: 2 PLC DEC ± - 3 PLC DEC ± - ANGLES ± -	DR 2-10-95 B.BR16SS CHK 2-10-95 B.BR16SS APPD 2-10-95 T.FARCEIT APPD 2-14-95 D.STAKEN PRODUCT SPEC -	AMP AMP INCORPORATED Harrisburg, Pa. 17105	
MATERIAL -	FINISH -	NAME DIESET, PROCRIMPER, AMP SC AND 2.5mm THREADED	
	APPLICATION SPEC -	SIZE B	FSCM NO 00779
	WEIGHT -	SCALE 4:1	DRAWING NO 503910
			SHEET 1 OF 1

AMP 1470-15 REV 3-87
 14-FEB-95 13:01:55 amp16159 /files/wip/amp16159/edmod

CUSTOMER DRAWING