

4

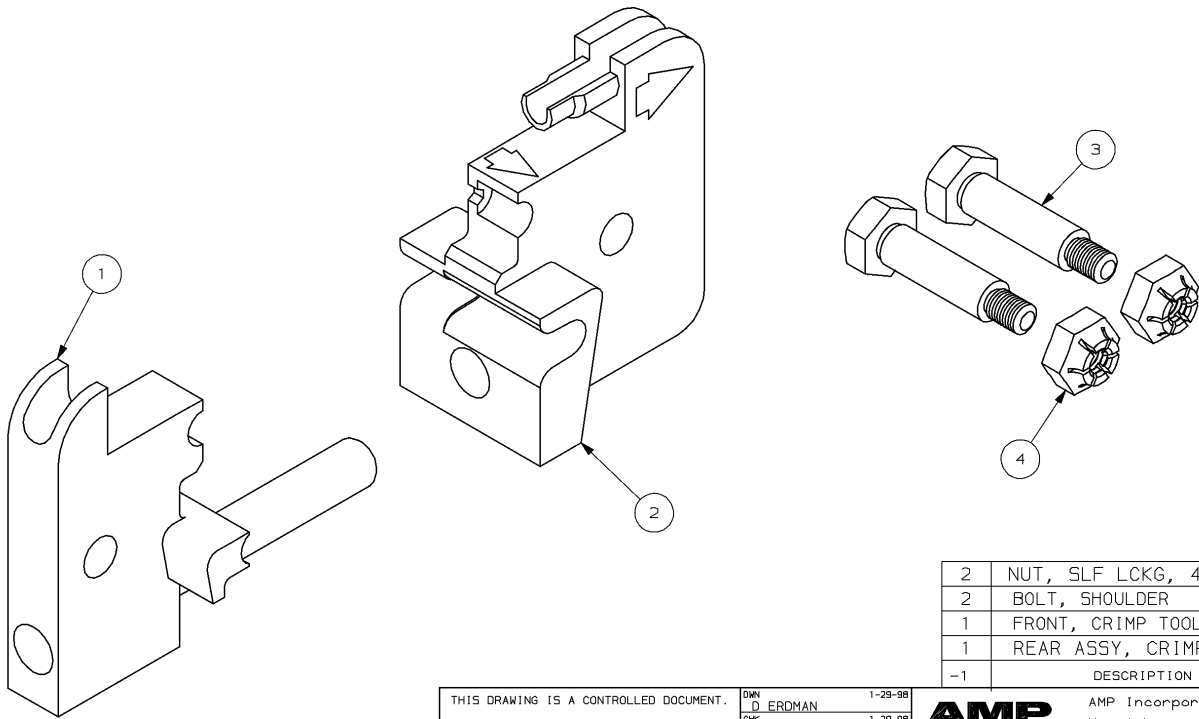
3

2

1

THIS DRAWING IS UNPUBLISHED. RELEASED FOR PUBLICATION
 © COPYRIGHT 19 BY AMP INCORPORATED. ALL RIGHTS RESERVED.

LOC	DIST	REVISIONS			
P	LTR	DESCRIPTION	DATE	DWN	APVD
0		REL PER NPR 98-030	1-29-98	DDE	JD



2	NUT, SLF LCKG, 4-40	4
2	BOLT, SHOULDER	3
1	FRONT, CRIMP TOOL	2
1	REAR ASSY, CRIMP TOOL	1
-1	DESCRIPTION	ITEM NO

THIS DRAWING IS A CONTROLLED DOCUMENT.		DWN	D ERODMAN	1-29-98
DIMENSIONS: DIMENSIONS TOLERANCES UNLESS OTHERWISE SPECIFIED.		CHK	J DAVIS	1-29-98
mm		APVD	K MONROE	1-29-98
0 PLC	±-	NAME		
1 PLC	±-	DIESET W/PROCRIMPER		
2 PLC	±-	LightCrimp Plus SC		
3 PLC	±-	SIZE CAGE CODE DRAWING NO		
4 PLC	±-	A3 00779 C- 492783		
ANGLES	±-	RESTRICTED TO		
MATERIAL	FINISH	WEIGHT		
		CUSTOMER DRAWING		
		SCALE	4:1	SHEET 1 OF 1
				REV 0

AMP AMP Incorporated
 Harrisburg, PA 17105-3608