

## FEATURES AND SPECIFICATIONS

### Features and Benefits

- Crimp wire sizes 18 to 26 AWG
- Patented double cantilever design
- Complete line of terminal crimping equipment available
- 2878 bifurcated terminal offers 2 points of contact for increased reliability

### Reference Information

Packaging: Bag or reel  
 UL File No.: E29179  
 CSA File No.: LR19980  
 Use With: 2574 housing  
 Designed In: Inches

# molex® 3.96mm (.156") Pitch KK® Single-Sided Terminals

**2478/2578/2878**

### Electrical

Voltage: 250V  
 Current: Use table

| AWG                            | 18   | 20   | 22   | 24   | 26   |
|--------------------------------|------|------|------|------|------|
| Phosphor Bronze (Amperes max.) | 7.00 | 6.25 | 5.50 | 5.00 | 4.50 |
| Brass (Amperes max.)           | 5.00 | 4.75 | 4.50 | 4.25 | 4.00 |

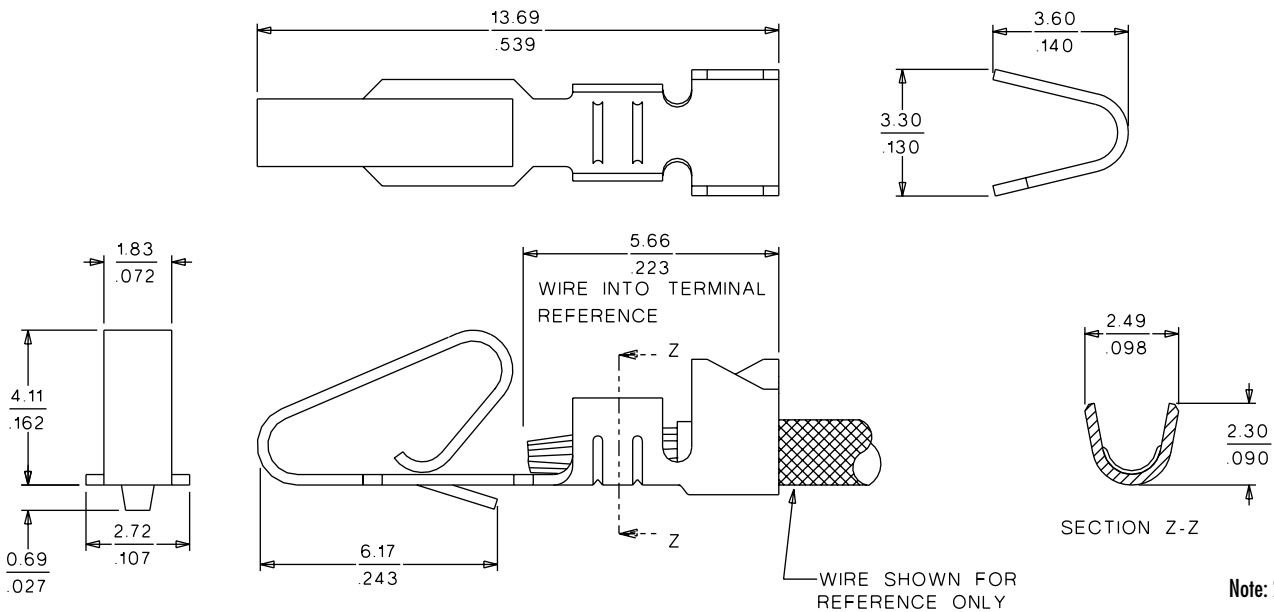
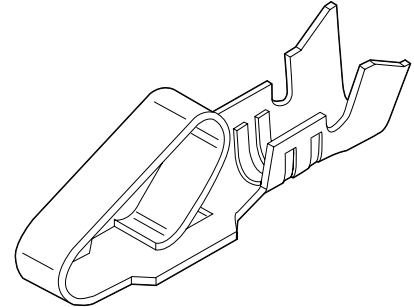
Contact Resistance: 20mΩ max.  
 Dielectric Withstanding Voltage: 1500V  
 Insulation Resistance: 50,000 MΩ min.

### Mechanical

Contact Insertion Force: 1.36kg (3 lb) max.  
 Contact Retention to Housing: 3.63kg (8 lb) min.  
 when pulled in an axial direction  
 Normal Force: 0.75kg (1.65 lb)

### Physical

Contact: Brass/Phosphor Bronze  
 Plating: See Table  
 Temperature: 0 to +50°C



Note: 2478 shown

## ORDERING INFORMATION AND DIMENSIONS

| Wire Size | Maximum Insulation Outside Diameter | Series | Material        | Tin Plating  |              | Gold Plating No. 1 |              | Gold Plating No. 2 |              |
|-----------|-------------------------------------|--------|-----------------|--------------|--------------|--------------------|--------------|--------------------|--------------|
|           |                                     |        |                 | Bag          | Reel         | Bag                | Reel         | Bag                | Reel         |
| 18-20     | 2.79 (.110)                         | 2478   | Phosphor Bronze | • 08-52-0072 | • 08-52-0071 | • 08-58-0122       | • 08-58-0121 | • 08-65-0115       | • 08-65-0114 |
| 18-20     | 2.79 (.110)                         | 2478   | Brass           | 08-50-0106   | 08-50-0105   | 08-56-0106         | 08-56-0105   | 08-55-0104         | 08-55-0103   |
| 18-20     | 2.79 (.110)                         | 2878   | Phosphor Bronze | • 08-52-0127 | • 08-52-0126 | • 08-58-0128       | • 08-58-0127 | • 08-65-0119       | • 08-65-0118 |
| 18-20     | 2.79 (.110)                         | 2878   | Brass           | 08-50-0116   | 08-50-0115   |                    |              |                    |              |
| 22-26     | 1.65 (.065)                         | 2578   | Phosphor Bronze | • 08-50-0134 | • 08-50-0133 | • 08-58-0126       | • 08-58-0125 | • 08-65-0117       | • 08-65-0116 |
| 22-26     | 1.65 (.065)                         | 2578   | Brass           | 08-50-0108   | 08-50-0107   | 08-56-0108         | 08-56-0107   | 08-55-0106         | 08-55-0105   |

| Terminal Engineering No. | Hand Tools  |  | Crimp Machine                               |                |
|--------------------------|---|--|---|----------------|
|                          | Crimping Order and Engineering No.<br>(JHTR-2445-A) | Extraction Order and Engineering No.<br>(HTA-2174) | Bench Order and Engineering No.<br>(TM-40D) | Automatic Type |
| 2478                     | 11-01-0026  | 11-03-0016   | 11-04-0418                                  | KM40S          |
| 2578(a)                  |   |  | 11-04-0420                                  |                |
| 2878                     |   |  | 11-04-0418                                  |                |

• US Standard Product, available through Molex franchised distributors  
 Recommended wire range assumes stranded wire  
 Plating No. 1: 20µ" min. Gold in contact area with a flash overall  
 Plating No. 2: 15µ" min. Gold in contact area only