

**PROPER USE GUIDELINES**

Cumulative Trauma Disorders can result from the prolonged use of manually powered hand tools. Hand tools are intended for occasional use and low volume applications. A wide selection of powered application equipment for extended-use, production operations is available.

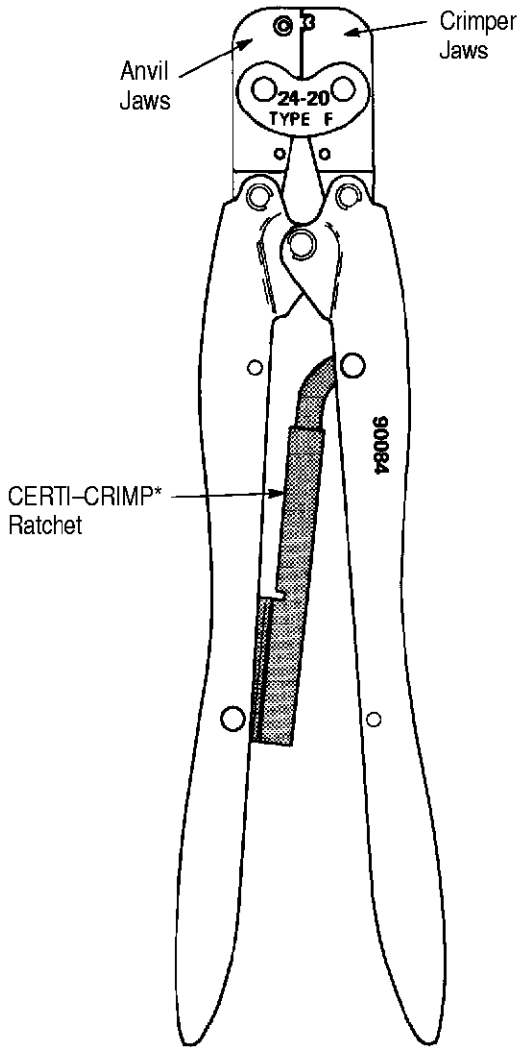


Figure 1

**1. INTRODUCTION**

AMP\* Hand Crimping Tool 90084 is designed to crimp the loose piece (LP) Tab Receptacle terminals listed in Figure 2. Read these instructions thoroughly before crimping any terminals.

**NOTE** All dimensions in this document are in metric units [with U.S. customary units in brackets]. Figures and illustrations are for identification only and are not drawn to scale.

Reasons for reissue of this instruction sheet are provided in Section 6, REVISION SUMMARY.

**2. DESCRIPTION**

This tool features two crimper jaws, two anvil jaws, a terminal locator, and a CERTI-CRIMP ratchet.

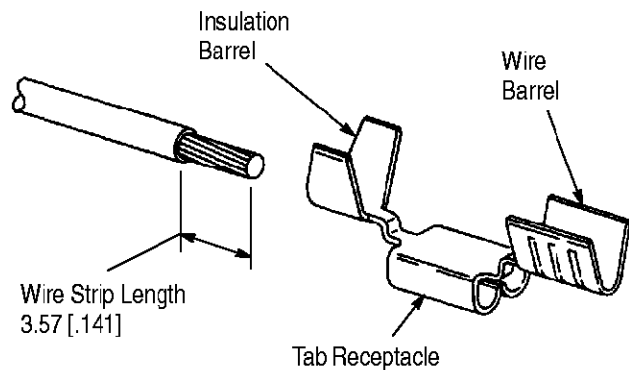
The terminal locator positions the terminal between the crimping jaws.

The CERTI-CRIMP ratchet ensures full crimping of the terminal. Once engaged, the ratchet will not release until the tool handles have been fully closed.

**CAUTION** The crimping jaws bottom before the CERTI-CRIMP ratchet releases. This is a design feature that ensures maximum electrical and tensile performance of the crimp. Do NOT re-adjust the ratchet.

**3. CRIMPING PROCEDURE**

Refer to the chart in Figure 2 and select wire within the specified wire size and insulation diameter. Strip the wire to the length indicated –do NOT cut or nick the wire strands.



WIRE		TERMINAL NO.	
SIZE (AWG)	INSUL DIA	LP	STRIP
24 to 20	1.02 to 2.03 [.040 to .080]	60560	60477
		60561	60436
		60578	60524
		61403	60524
		60751	60530

Figure 2

Select an applicable terminal and proceed as follows:

1. Hold the tool so that the front is facing you.
2. Make sure that the ratchet is released. Squeeze the tool handles together and allow them to open fully.
3. Insert the terminal into the locator. Make sure terminal insulation barrel and wire barrel are facing tool crimper jaws and tab receptacle is bottomed in locator. See Figure 3.
4. Hold the terminal in this position and squeeze the tool handles together until the crimping jaws close just enough to retain the terminal. Do NOT deform the insulation barrel or wire barrel.
5. Insert a properly-stripped wire through the terminal insulation barrel and into the wire barrel. End of wire must be flush with end of wire barrel.
6. While holding the wire in place, squeeze the tool handles together until the ratchet releases.
7. Allow the tool handles to open fully and remove the crimped terminal.

#### 4. MAINTENANCE/INSPECTION

##### 4.1. Daily Maintenance

Remove all foreign particles with a clean, soft brush or a clean, soft, lint-free cloth. Make sure the proper retaining pins are in place and are secured with the proper retaining rings. If foreign matter cannot be removed easily, or if the proper replacement parts are not available, return the tool to your supervisor.

Make sure all pivot points and bearing surfaces are protected with a thin coat of any good SAE 20 motor oil. Do NOT oil excessively. When the tool is not in use, keep the handles closed to prevent objects from becoming lodged between the jaws, and store the tool in a clean, dry area.

##### 4.2. Periodic Inspection

Regular inspection should be performed by quality control personnel. A record of scheduled inspections should remain with the tool and/or be supplied to the supervisory personnel responsible for the tool. Though recommendations call for at least one inspection a month, the inspection frequency should be based on the amount of use, ambient working conditions, operator training and skill, and established company standards. These inspections should be performed in the following sequence:

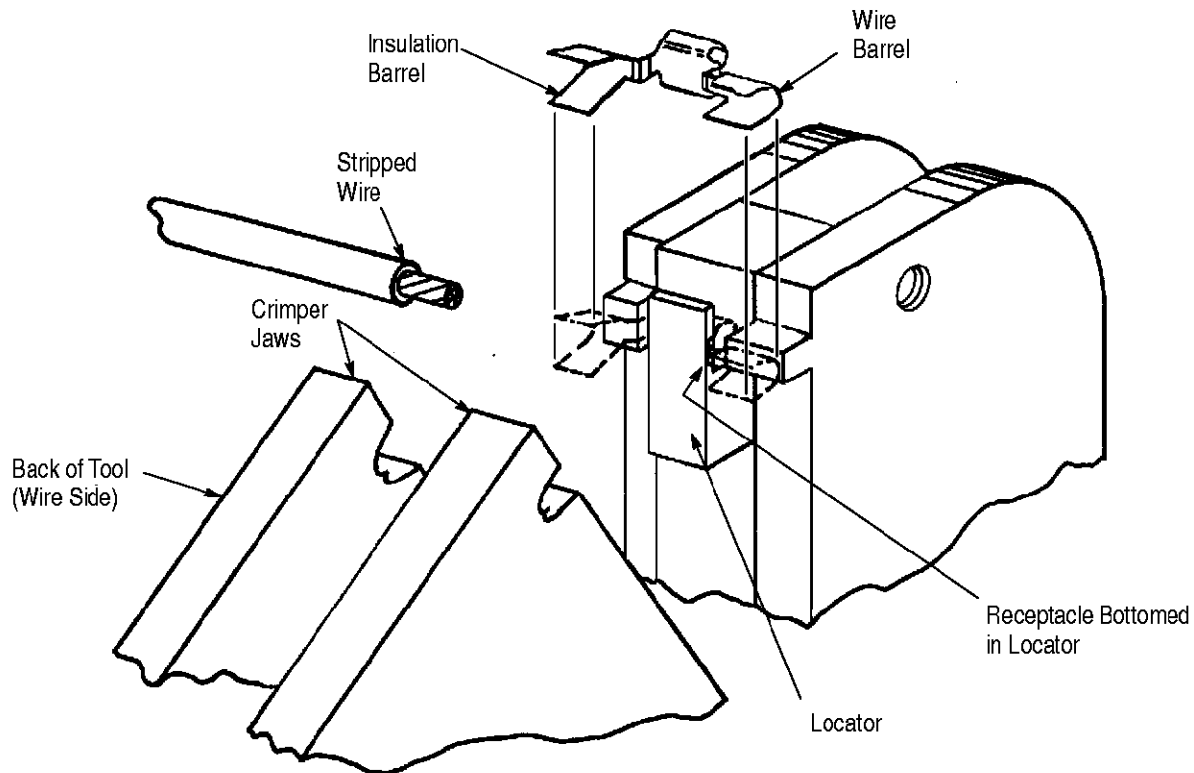


Figure 3

**A. Visual Inspection**

1. Remove all lubrication and accumulated film by immersing the tool (handles partially closed) into a suitable degreaser that will not affect paint or plastic material.
2. Make certain all retaining pins are in place and are secured with the proper retaining rings. If replacements are necessary, refer to Figure 5.
3. Close the tool handles until the ratchet releases, and then allow the handles to open freely. If they do not open quickly and fully, then the spring is defective and must be replaced (see Section 5, REPLACEMENT AND REPAIR).
4. Inspect the tool, with special emphasis on checking for worn, cracked, or broken crimping jaws. If damage to any part of the head is evident, return the tool for evaluation and repair (see Section 5, REPLACEMENT AND REPAIR).

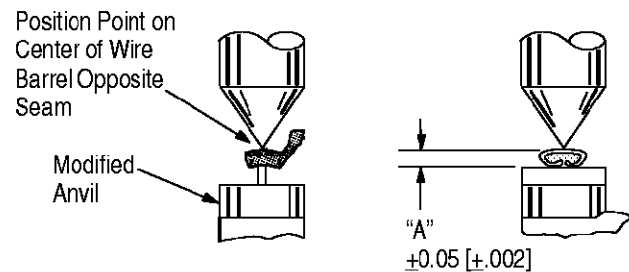
**B. Crimp Height Inspection**

This inspection requires the use of a micrometer, with a modified anvil, as shown in Figure 4. The Crimp Height Comparator RS-1019-5LP is recommended and is available from:

Shearer Industrial Supply Co.                      VALCO  
20 North Penn Street                      or                      1410 Stonewood Drive  
York, PA 17401-1014                      Bethlehem, PA 18017-3527

Proceed as follows:

1. Refer to the chart in Figure 4 and select a terminal and a wire (maximum size) for the hand tool.



TERMINAL NUMBER	WIRE SIZE AWG (Max.)	CRIMP HEIGHT DIM. "A"
60560 61403 60561 60751 60578	20	0.81 [.032]

Figure 4

2. Refer to Section 3, CRIMPING PROCEDURE, and crimp the terminal accordingly.
3. Using a crimp height comparator, measure the wire barrel crimp height as shown in Figure 4. If the crimp height conforms to that shown in the chart,

the tool is considered dimensionally correct. If not, return the tool for evaluation and repair (refer to Section 5, REPLACEMENT AND REPAIR).

For additional information concerning the use of the crimp height comparator, refer to Instruction Sheet 408-7424.

**C. CERTI-CRIMP Ratchet Inspection**

Obtain a 0.025 [.001] shim that is suitable for checking the clearance between the bottoming surfaces of the crimping jaws. Proceed as follows:

1. Select a terminal and *maximum* size wire for the hand tool.
2. Position the terminal and wire between the crimping jaws, as described in Section 3, CRIMPING PROCEDURE.
3. Holding the wire in place, squeeze the tool handles together until the CERTI-CRIMP ratchet releases. Hold the handles in this position, maintaining just enough tension to keep the jaws closed.
4. Check the clearance between the bottoming surfaces of the crimping jaws. If the clearance is 0.025 [.001] or less, the ratchet is satisfactory. If the clearance exceeds 0.025 [.001], the ratchet is out of adjustment and must be repaired.

If the tool conforms to these inspection procedures, lubricate it with a thin coat of any good SAE 20 motor oil and return it to service.

**5. REPLACEMENT AND REPAIR**

The parts listed in Figure 5 are customer-replaceable. A complete inventory can be stocked and controlled to prevent lost time when replacement of parts is necessary. Order replacement parts through your Tyco Electronics representative, or call 1-800-526-5142, or send a facsimile of your purchase order to 1-717-986-7605, or write to:

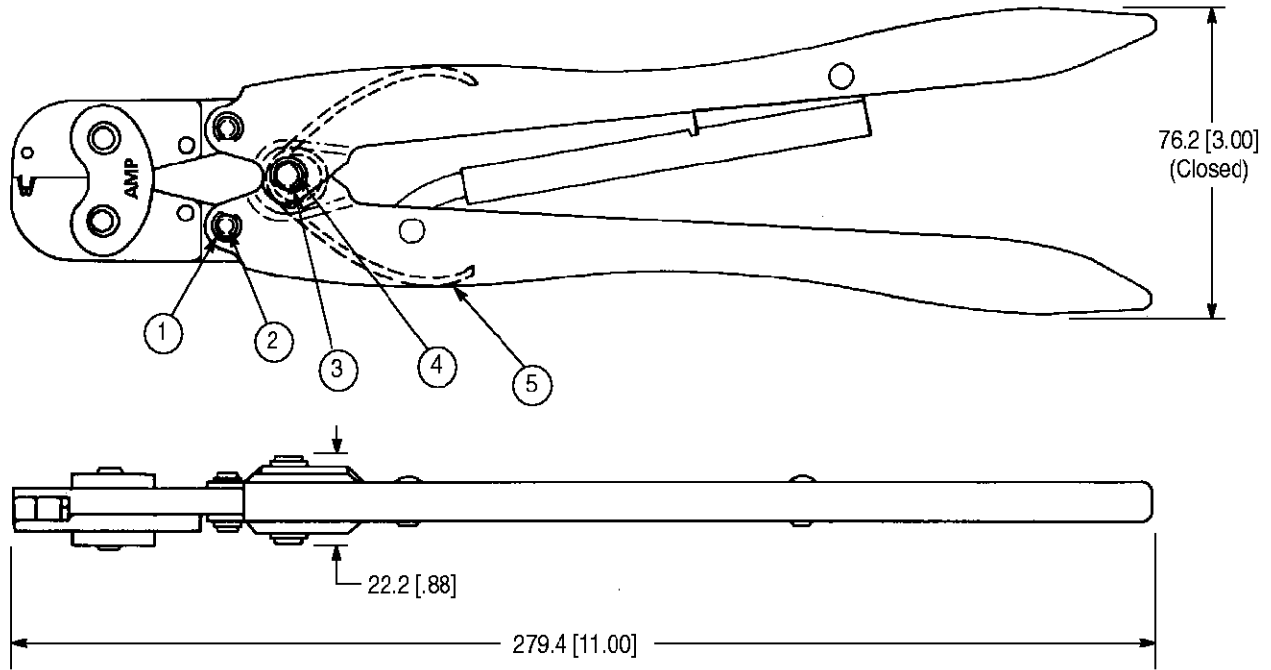
CUSTOMER SERVICE (38-35)  
TYCO ELECTRONICS CORPORATION  
P.O. BOX 3608  
HARRISBURG, PA 17105-3608

Tools may be returned for evaluation and repair. For tool repair service, contact a representative at 1-800-526-5136.

**6. REVISION SUMMARY**

Per EC 0990-0213-00:

- Changed tool repair service information in Section 5, REPLACEMENT AND REPAIR
- Updated document format



Weight: 539 g [1 lb 3 oz.]

REPLACEMENT PARTS

ITEM	PART NUMBER	DESCRIPTION	QTY PER TOOL
1	21045-3	Ring, Retaining	4
2	300432	Pin, Retaining	2
3	21045-6	Ring, Retaining	2
4	300449	Pin, Retaining	1
5	39364	Spring, Handle	1

Figure 5