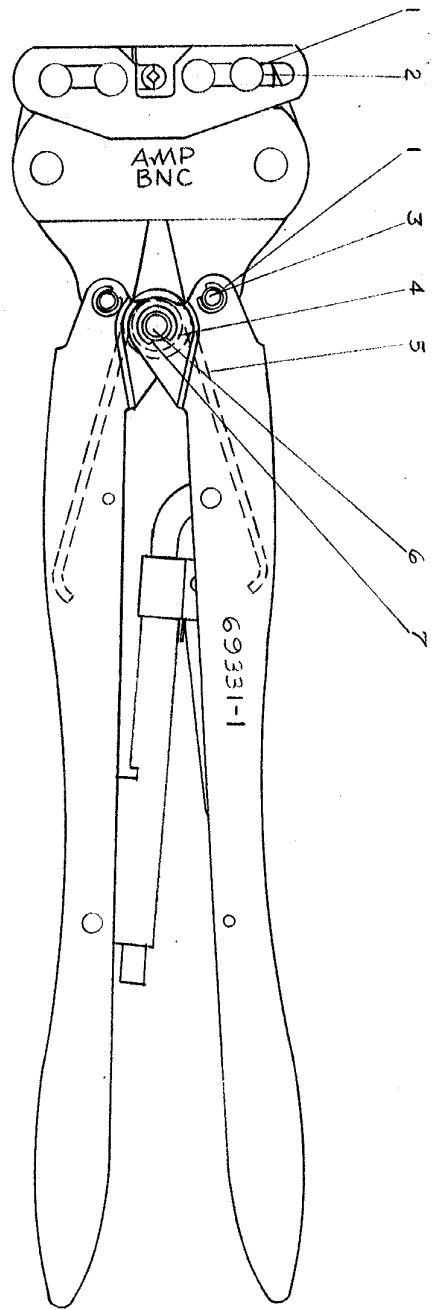
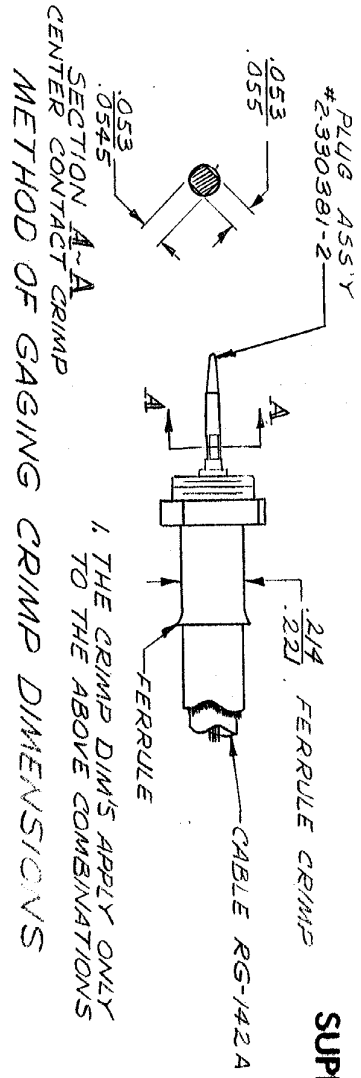


PRINT DIST
E-1

DIMENSIONS IN INCHES. DO NOT SCALE PRINT.



SUPERSEDED BY IS 2340



SECTION A-A
CENTER CONTACT GRIMP
METHOD OF GAGING CRIMP DIMENSIONS

1. THE CRIMP DIMS APPLY ONLY TO THE ABOVE COMBINATIONS

For replacement of parts other than listed, Tool should be returned to our Factory to insure proper Gaging-Grimp adjustment.

REVISED	BY IS-2340	RS	7-28
REVISED	PL BIF	10-23	
REVISED	RS	9-78	
REVISED	LCO LCO	9-24	
REVISED	CM	1-30	
REVISED	PKS	1-30	
REVISED	PKS	1-30	

NUMBER	69331-1
DESCRIPTION	

DR	AMP	2-27-63
CHK	J. O'Connor	3-27-63

AMP	AMP INCORPORATED	AMP PRODUCTS COVERED BY PATENTS AND/OR PATENTS PENDING.
CLASS	BNC	CUSTOMER COPY REFERENCE ONLY
TYPE	COAXIAL	
LOC	M B	
NO	69331-1	
REV	E1	

ITEM NO	SIZE	NUMBER	NAME	REMARKS
1	1	21045-6	RING-RETAINING	
2	1	300449	PIN-RETAINING	
3	1	39364	SPRING	
4	1	39366	COLLAR	
5	2	38783	PIN-RETAINING	
6	2	1-3041970	PIN-RETAINING	
7	6	21045-3	RING-RETAINING	