

4

3

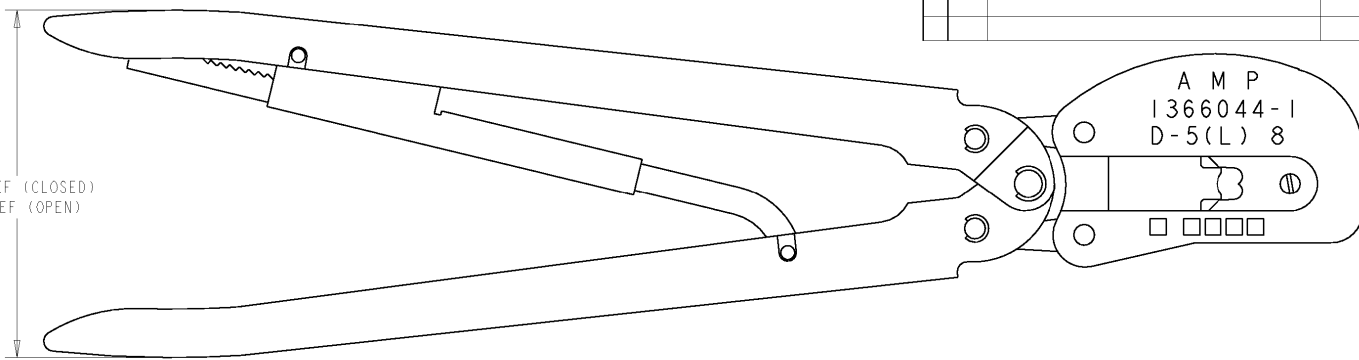
2

1

THIS DRAWING IS UNPUBLISHED. RELEASED FOR PUBLICATION  
 © COPYRIGHT 20 BY TYCO ELECTRONICS CORPORATION. ALL RIGHTS RESERVED.

LOC	DIST	REVISIONS				
P	LTR	DESCRIPTION	DATE	DWN	APVD	
J	-					
A		REVISED FJ00-0877-01	25-Apr-01	J.K	S.Y	

76.2 REF (CLOSED)  
 440 REF (OPEN)



25 REF

308 REF

CRIMP SYMBOL	TERMINAL NO	WIRE SIZE AWG (mm <sup>2</sup> )	INS RANGE (mm)	TERMINAL CH (mm)		IS NO	APPL SPEC	WEIGHT (g)
	L.P.			WIRE	INS			
圧着記号	通孔端子型番 ハ"ラ状	電線サイズ	絶縁径規格	圧着高さ 芯線部 被覆部		取扱説明書番号	取付適用規格	重量
8	1318697-6	④ #8 (7.27-9.00)	4.9-7.8	④ 3.09-3.29	6.5MAX	411-5976	14-5206	910

<small>THIS DRAWING IS A CONTROLLED DOCUMENT FOR THE ELECTRONICS CORPORATION. IT IS SUBJECT TO CHANGE AND THE CONTROLLING ENGINEERING ORGANIZATION SHOULD BE CONTACTED FOR THE LATEST REVISION.</small>		DWN J. KOGA 25-Apr-01 CHK J. KOGA 25-Apr-01 APVD S. YABE 25-Apr-01	<b>AMP</b> Tyco Electronics AMP K.K. Kawasaki, Japan
DIMENSIONS: mm 	TOLERANCES UNLESS OTHERWISE SPECIFIED: 0 PLC ± 1 PLC ± 2 PLC ± 3 PLC ± 4 PLC ± ANGLES ±	NAME HEAVY HEAD HAND TOOL (Dynamic D5-L Contact) PRODUCT SPEC - APPLICATION SPEC - WEIGHT -	SIZE A3 CAGE CODE 00779 DRAWING NO G-1366044-1 RESTRICTED TO -
MATERIAL	FINISH	CUSTOMER DRAWING	SCALE - SHEET 1 OF 1 REV A