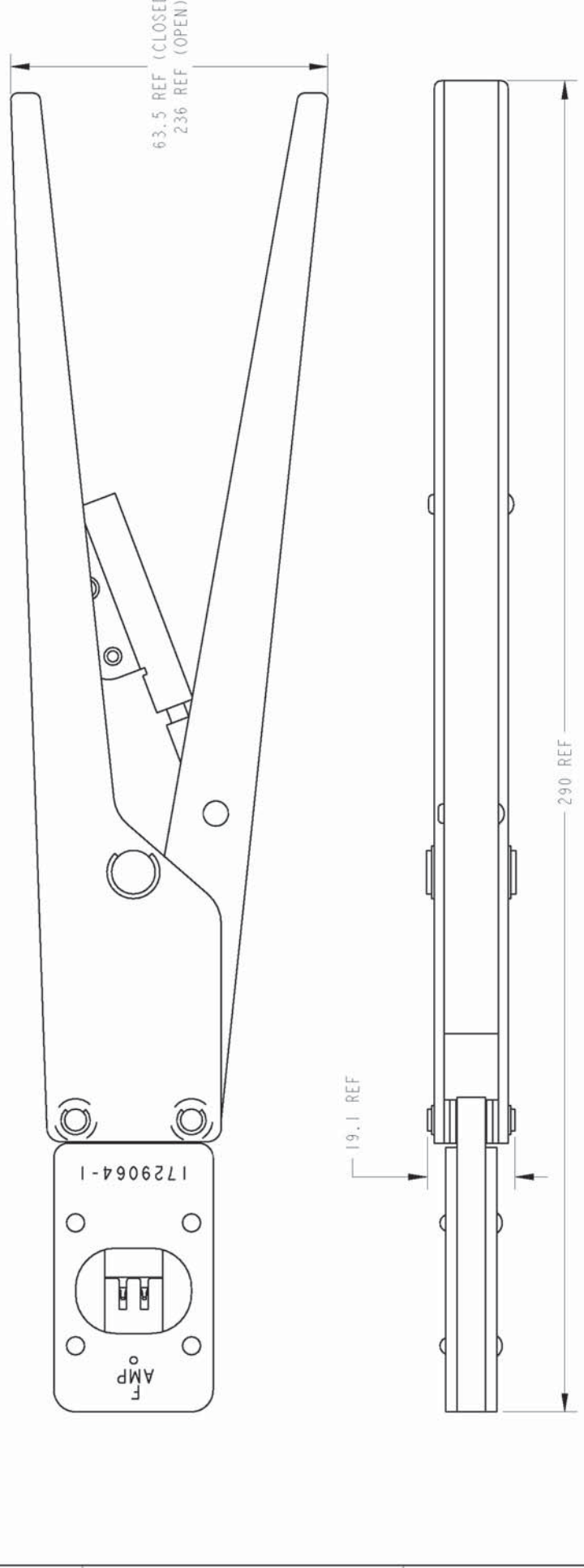


THIS DRAWING IS UNPUBLISHED.
 © COPYRIGHT 20 BY TYCO ELECTRONICS CORPORATION. ALL RIGHTS RESERVED.
 RELEASED FOR PUBLICATION 20

LOC	DIST	REV	DESCRIPTION	DATE	OWN	APP'D
J	-	0	RELEASED FJC0-0180-03	25-Jun-03	J.K	S.Y



CRIMP SYMBOL	TERMINAL NO STRIP	WIRE SIZE AWG(mm ²)	INS RANGE (mm)	TERMINAL CH(mm)		IS NO	APPL SPEC	WEIGHT (g)
				WIRE	INS			
A	1376347-1	#20-18 10.51(-0.89) #18	2.0-2.7	総括密着部	圧着高さ	取付用規格 番号	114- 5292	重量
				2.4-3.1	芯線部			

THIS DRAWING IS UNPUBLISHED. DOCUMENT FOR TYCO ELECTRONIC CORPORATION
 IF IT IS SUBJECT TO THE CONTROL BY THE EXISTING ORGANIZATION
 THIS DRAWING IS UNPUBLISHED. DOCUMENT FOR TYCO ELECTRONIC CORPORATION

UN J. KOGA 25-JUN-03
 CHK J. KOGA 25-JUN-03
 APP J. KOGA 25-JUN-03
 PRODUCT SPEC
 APPLICATION SPEC
 WEIGHT

tyco Tyco Electronics AMP K.K.
Electronics Kawasaki, Japan

NAME STRAIGHT ACTION HAND TOOL
 (5.0 Power Key Contact, #20-16)

SIZE | CAGE CODE | DRAWING NO
 A3 | 00779C | 1729064-1

RESTRICTED TO
 -

CUSTOMER DRAWING
 SCALE - SHEET - OF - REV 0