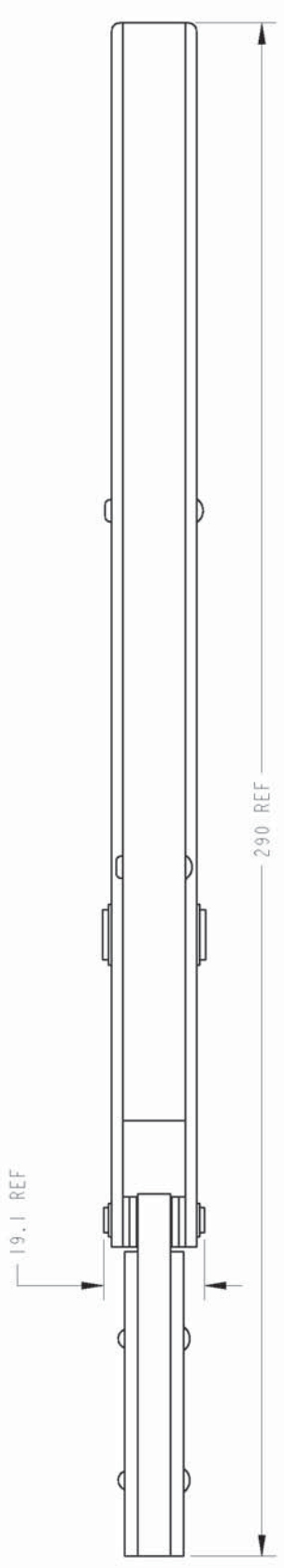
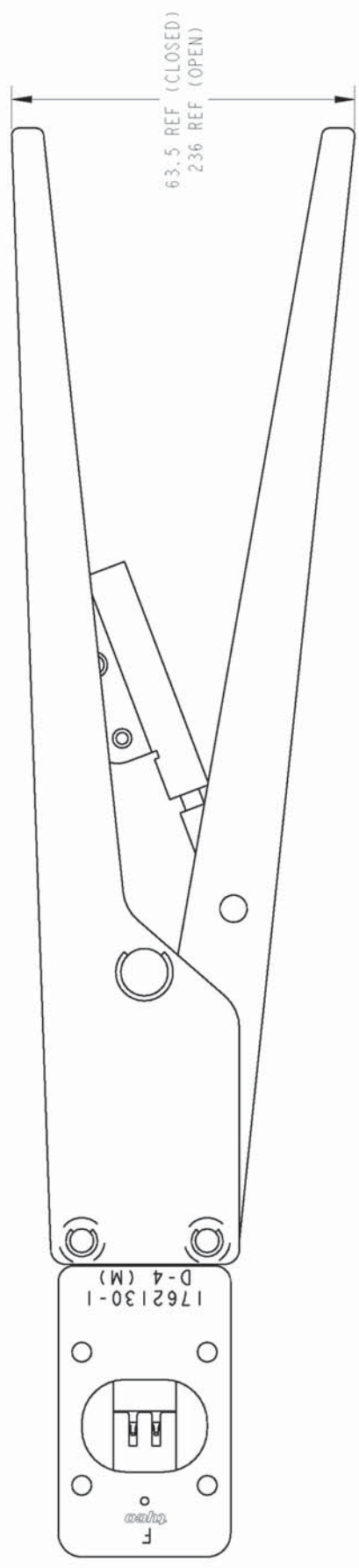


4		3		2		1	
THIS DRAWING IS UNPUBLISHED.				REVISED FOR PUBLICATION			
© COPYRIGHT 20				BY TYCO ELECTRONICS CORPORATION, ALL RIGHTS RESERVED.			
-1: AS SHOWN (本圖)		LOC J		DIST -		REVISIONS	
		P LTR		DESCRIPTION		DATE	
		0		RELEASED FJC0-0293-04		05-04-04 J.K S.Y.	



CRIMP SYMBOL	TERMINAL NO	WIRE SIZE AWG(mm ²)	INS RANGE (mm)	TERMINAL CH (mm)		IS NO	APPL SPEC	WEIGHT (g)
				WIRE	INS			
圧着部 配号	適用端子型番	電線サイズ	絶縁被覆径	圧着高さ		取付適用規格	重量	
A	1747499	#16 11.28-1.38	2.0-3.2	1.44	1.60	3.17REF	411-114-	550
B	1747501	#14 12.08-2.18	2.8-3.75	1.68	1.84	3.7REF	78174	

THIS DRAWING IS UNPUBLISHED DOCUMENT FOR TYCO ELECTRONIC CORPORATION
IT IS SUBJECT TO BE COMPLETE FOR THE APPLICABLE EXISTING ORGANIZATION

DRN	J. KOGA	05-04-04	Tyco Electronics AMP K.K. Kawasaki, Japan	
CHK	J. KOGA	05-04-04	Electronics	
APPD	S. YABE	05-04-04	NAME STRAIGHT ACTION HAND TOOL (Dynamic D4-M Contact, #14-16)	
PRODUCT SPEC		SIZE CAGE CODE DRAWING NO		
APPLICATION SPEC		A3 00779C 1762130		
WEIGHT		RESTRICTED TO		
CUSTOMER DRAWING		SCALE - SHEET - OF - REV 0		