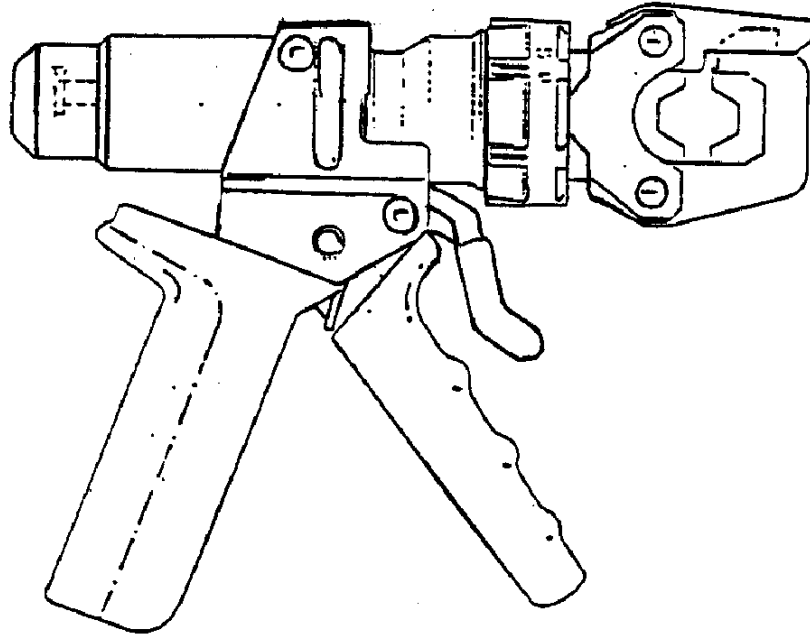


*AMPOWER Series R TUBULAR SPLICES AND TERMINALS
(Crimping of 6 to 95 mm² terminals)*



I. INTRODUCTION

The hydraulic crimping tool described in this instruction manual is recommended for crimping copper cables.

II. USE

This hydraulic crimping tool is actuated by one hand and can accommodate hexagonal crimping dies or crimping dies of other shapes.

III. SPECIFICATIONS

Force : 35 KN

Capacity : 6 to 95 mm² conductors

Weight : 1,5 kg

Piston stroke adjustable from 5 to 8 mm

Two-speed hydraulic system

Automatic release on completion of crimping with an audible "click"

Piston return by unloading lever

Rapid opening and closing 360° rotary head

Interchangeable crimping dies

Total length : 210 mm

IV. OPERATING PROCEDURE

Open the head.

Install the two half crimping dies.

Adjust the piston stroke according to the diameter of the connector to be crimped by rotating the knurled ring.

Close the head onto the connector and crimp until the audible "click" is heard after the half crimping dies are contiguous :

from 6 to 35 mm² - 1 crimping notch

50 mm² - 2 crimping notches

70 to 95 mm² - 3 crimping notches

Actuate the unloading lever to make the piston return.

The press is ready to perform another crimping operation.

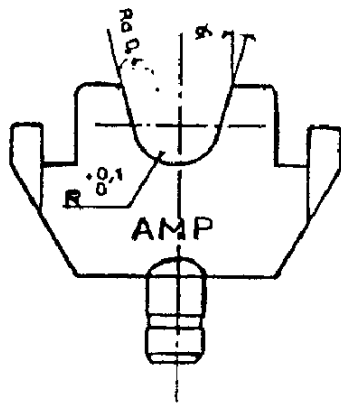
To withdraw the half crimping dies from their housings, use the blade supplied with the press.

After use, carefully wipe the tool and place it back in its case.

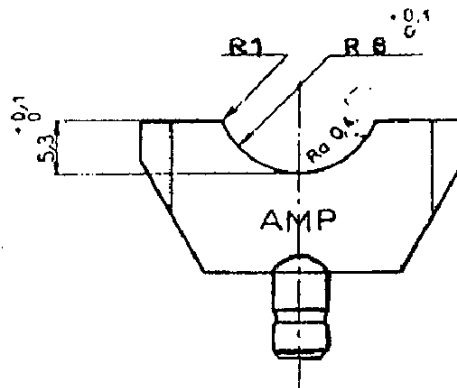
FAULT DIAGNOSIS

FAULT	CAUSES	REMEDIAL ACTION
Jaws do not advance	Reservoir hydraulic fluid level low	Top up
The press is released before the dies come together	Required load too high Incorrect calibration	Return the tool to AMP France
Hydraulic fluid leakage	Damaged seal Damaged reservoir	Return the tool to AMP France
Jaws advance and then move back straight away	Air in the hydraulic system	Bleed, pump and top up with the head downwards

D31C CRIMPING DIE



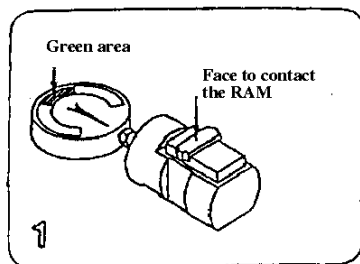
type 1



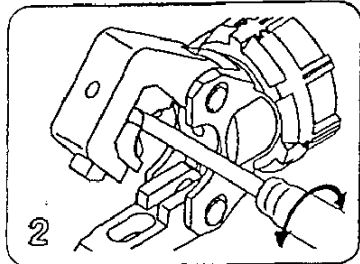
type 2

Type	Designation	Marking	AMP P/N
1	D31C 10CT	10 ²	945641-1
	D31C 16CT	16 ²	945642-1
	D31C 25CT	25 ²	945643-1
	D31C 35CT	35 ²	945644-1
	D31C 50CT	50 ²	945645-1
2	D31C 70CT	70 ²	945646-1

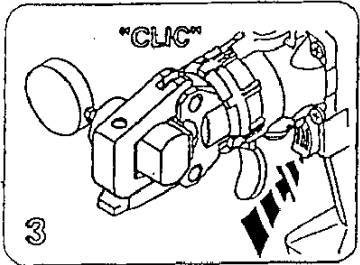
TEST OF THE CRIMPING TOOL



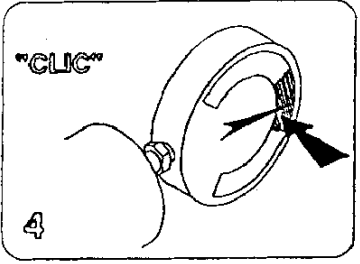
Optional : controler dynamometer
PN 951272-1 (fig.1)



Withdraw the crimping dies (fig. 2)



Fit the dynamometer into the tool head,
close the head of crimping tool.
Active the crimping trigger until the
audible "CLIC" (fig.3).



For good calibration, the hand must be
located in green area (fig.4) at the
moment of release (audible "clic"). If
pressure is too low, (hand underneath
green area) return tool to the Sales.