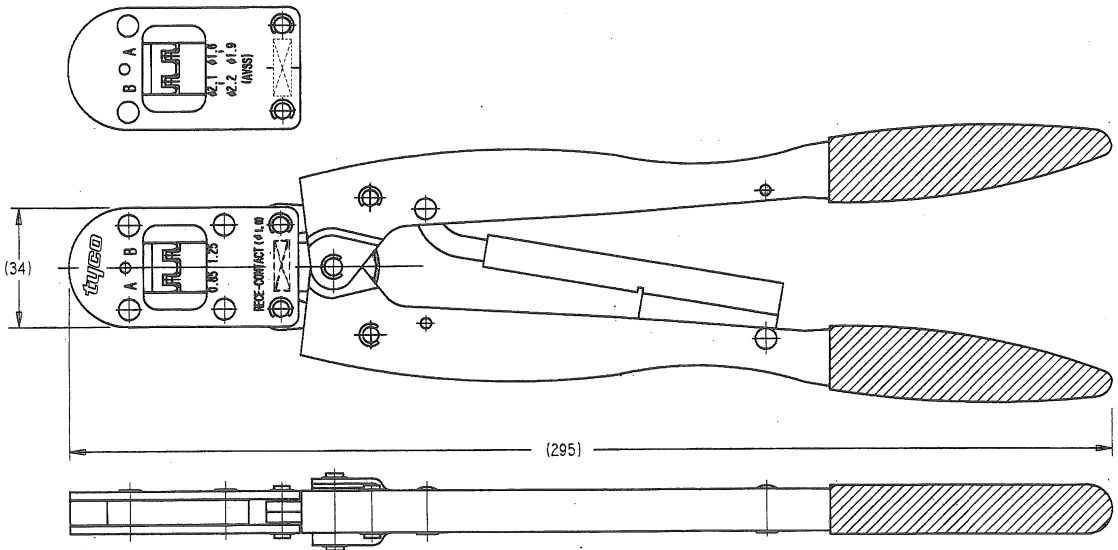


4 3 2 1

THIS DRAWING IS UNPUBLISHED.		RELEASED FOR PUBLICATION		
COPYRIGHT BY TYCO ELECTRONICS CORPORATION.		ALL RIGHTS RESERVED.		
TERMINAL NO. 適用端子型番	WIRE SIZE 芯線断面積 [mm ²]	INS. SIZE 被覆径 [mm]	CRIMP HEIGHT 圧着高さ [mm]	HAND TOOL MANUAL NO. 取扱説明書
3-1447221-4	0.5	φ1.6-1.9	9.0±0.1	411-5980

LOC		DIST		REVISIONS				
J		-		変更		DATE	DWN	APVD
P	LTR	DESCRIPTION		DATE	DWN	APVD		
0		RELEASED	FJ00-1809-00	19JUN01	K.I	S.Y		
A		REVISED	FJCO-0289-03	17 OCT 03	J.K	S.Y		



旧型番 : 3800088-02

THIS DRAWING IS A CONTROLLED DOCUMENT.		DWN K.ISHIZUKA 20JUN01	Tyco Electronics AMP K.K. Kawasaki, Japan	
DIMENSIONS: 単位: 特 mm		CHK J.KOGA 19JUN01	NAME S.YABE	PRODUCT SPEC 製品規格
MATERIAL 材料		APVD S.YABE 19JUN01	APPLICATION SPEC 取付用規格	SIZE A3
FINISH 仕上		WEIGHT	DRAWING NO 番号 C=1454509-2	RESTRICTED TO
		CUSTOMER DRAWING	SCALE 尺度 1:1	SHEET 1 of 1
			REV A	