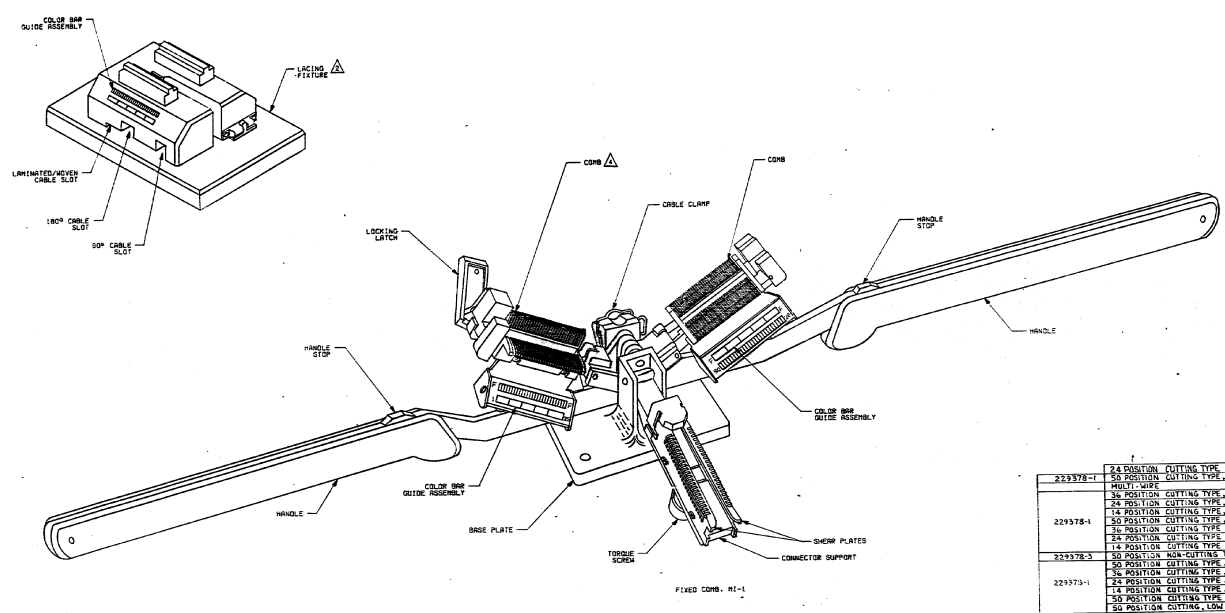


DESIGNED IN THE WOLFE PRODUCTION
 RECORDED FOR PUBLICATION FEBRUARY 2 1962
 BY THE NATIONAL BUREAU OF STANDARDS, WASHINGTON, D. C. 20540
 GPO: 1962 O - 350-000

SEPARABLE COMB KIT, PART NUMBER 229377-1, CONTAINS
 6 SEPARABLE COMBS AND IS OPTIONAL.
 LATCHING FIXTURE, PART NUMBER 230328-1,
 IS OPTIONAL.
 INACTIVE - FOR REPLACEMENT ONLY.
 COMBS MAY BE UTILIZED ON THE TOOL OR REMOVED
 FOR REMOTE LATCHING ON THE OPTIONAL FIXTURE.



229378-1	24 POSITION CUTTING TYPE SEPARABLE COMB, X-GEE	2-229378-2
	50 POSITION CUTTING TYPE SEPARABLE COMB, LOW EFFORT	2-229378-1
	MULTI-WIDE	2-229378-5
	30 POSITION CUTTING TYPE SEPARABLE COMB	2-229378-3
	24 POSITION CUTTING TYPE SEPARABLE COMB	2-229378-2
	18 POSITION CUTTING TYPE SEPARABLE COMB	2-229378-7
229378-1	50 POSITION CUTTING TYPE LOW EFFORT	2-229378-5
	24 POSITION CUTTING TYPE	2-229378-4
	18 POSITION CUTTING TYPE	2-229378-3
	14 POSITION CUTTING TYPE	2-229378-2
229378-3	50 POSITION NON-CUTTING TYPE	2-229378-1
	50 POSITION CUTTING TYPE SEPARABLE COMB	2-229378-6
	30 POSITION CUTTING TYPE SEPARABLE COMB	2-229378-3
229379-1	24 POSITION CUTTING TYPE SEPARABLE COMB	2-229378-7
	18 POSITION CUTTING TYPE SEPARABLE COMB	2-229378-2
	50 POSITION CUTTING TYPE	2-229378-4
	50 POSITION CUTTING LOW EFFORT	2-229378-5
	NAIL TAP TOOL	2-229378-3
	14 TO 50 POSITION STANDARD TOOL	2-229378-1

REPLACED BY	DESCRIPTION	PART NO.
CONTRACT NO. ORDER NO. QUANTITY DATE BY	ASSEMBLY, TOOL, MI-1 (CHAMP)	229378-1
DATE BY OTHER APPS	D 00779	229378