

4

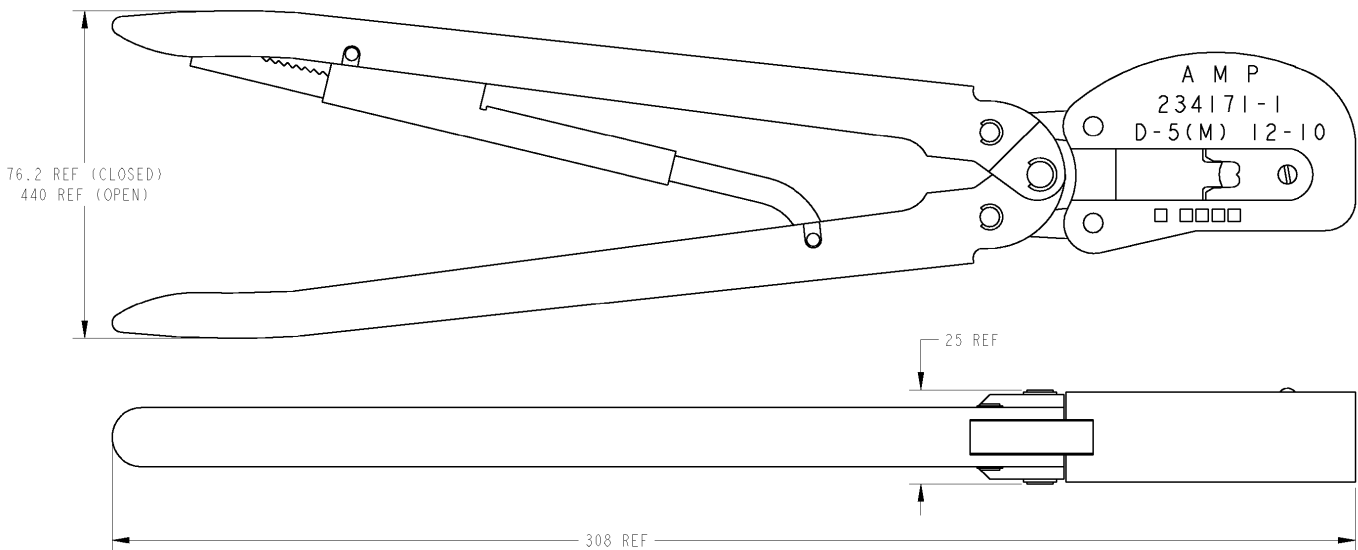
3

2

1

THIS DRAWING IS UNPUBLISHED. RELEASED FOR PUBLICATION 20
 © COPYRIGHT 20 BY TYCO ELECTRONICS CORPORATION. ALL RIGHTS RESERVED.

LOC	DIST	REVISIONS				
P	LTR	DESCRIPTION	DATE	DWN	APVD	
	B	REVISED FJ00-0877-01	07-May-01	J.K	S.Y	



CRIMP SYMBOL	TERMINAL NO L.P.	WIRE SIZE AWG (mm ²)	INS RANGE (mm)	TERMINAL CH (mm)		IS NO	APPL SPEC	WEIGHT (g)
				WIRE	INS			
圧着部記号	通用端子型番	電線サイズ	絶縁径	圧着高さ		取扱説明書番号	取付適用規格	重量
12-10	316041 (REC) 917805 (TAB)	#12(3.08-4.60) #10(4.60-5.50)	4.0-5.2	2.26-2.43 2.26-2.75	5.00REF	411-5713	114-5206	910

DIMENSIONS: mm 		TOLERANCES UNLESS OTHERWISE SPECIFIED: 0 PLC ± 1 PLC ± 2 PLC ± 3 PLC ± 4 PLC ± ANGLES ± FINISH		DWN J.KOGA 07-May-01 CHK J.KOGA 07-May-01 APVD S.YABE 07-May-01	Tyco Electronics AMP K.K. Kawasaki, Japan
MATERIAL		PRODUCT SPEC		NAME	RESTRICTED TO
		APPLICATION SPEC		SIZE CAGE CODE DRAWING NO	
		WEIGHT		A3 00779 C-234171-1	
CUSTOMER DRAWING				SCALE	SHEET OF REV

AMP 1470-19 REV 31MAR2000
 Proj/ENGINEER DRAWING