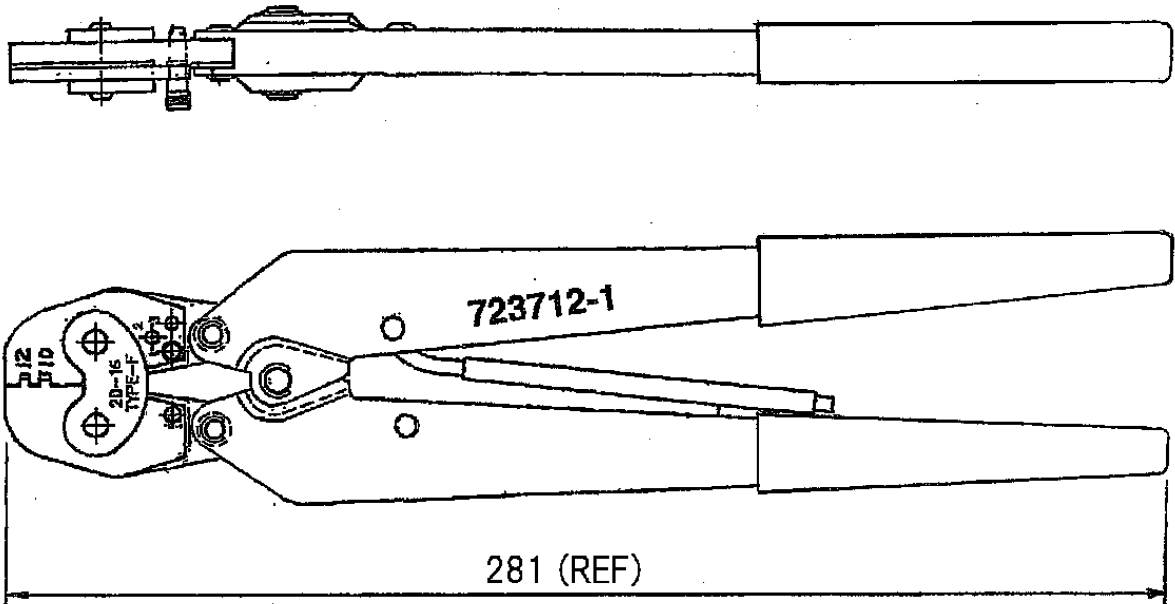


LOC J	DIST —	REVISIONS ?δ						
		P	LTR	DESCRIPTION	DATE	DWN	APVD	
		C		ECR-08-000464 REVISED	09JAN08	S.N	S.Y	



CRIMP SYMBOL	TERMINAL NO		WIRE SIZE (mm ²)	INSUL SIZE (mm)	TERMINAL C/H(mm)		TERMINAL SPEC	IS NO.
	STRIP	L.P.			WIRE	INS		
圧着部 記号	適用端子		適用電線 (mm ²)	絶縁被覆径 (mm)	芯線部圧着高さ (mm)		圧着規格	IS 番号
	連続状	バラ状			WIRE	INS		
12	不可	170266	3.3-3.6	3.8-5.1	1.8-2.47	— —	114-5032	411-5076
10	不可	170266	5.2-5.6	3.8-5.1	2.5-2.9	— —	114-5032	411-5076

RELEASED FOR PUBLICATION

ALL RIGHTS RESERVED.

BY TYCO ELECTRONICS CORPORATION.

THIS DRAWING IS UNPUBLISHED.

© COPYRIGHT

DIMENSIONS: XM? ? mm	DWN (H.MASUDA) 06.JUN.2003	MATERIAL P? —	FINISH □ —
TOLERANCES UNLESS OTHERWISE SPECIFIED: μm	CHK K.MARUYAMA 7.JUN.2003	Tyco Electronics Corporation Kawasaki, Japan	
0 PLC ± —	APVD S.YABE 12.JUN.2003	NAME ?δ DOUBLE ACTION HAND TOOL ASS'Y	
1 PLC ± —	PRODUCT SPEC ?δ線<	SIZE A4	CAGE CODE 00779
2 PLC ± —	APPLICATION SPEC ?δ通<線<	DRAWING NO ?δ 723712-1	RESTRICTED TO —
3 PLC ± —	WEIGHT —	SCALE ?δ —	
4 PLC ± —		SHEET 1 OF 1	
ANGLES ± —		REV C	
CUSTOMER DRAWING			