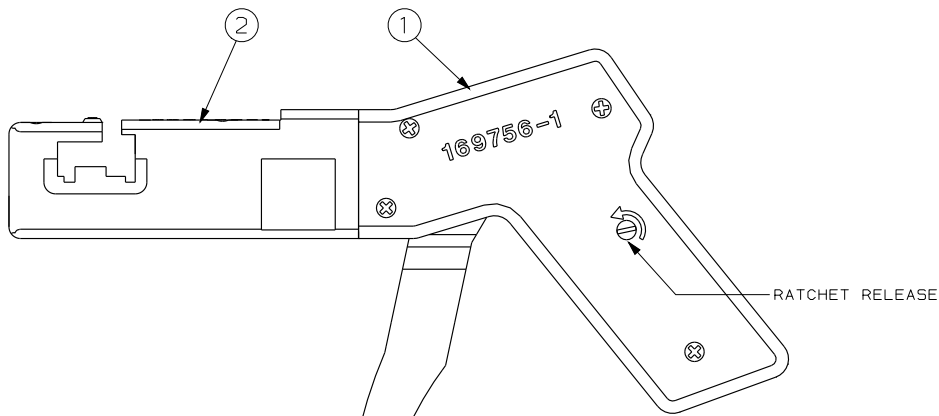
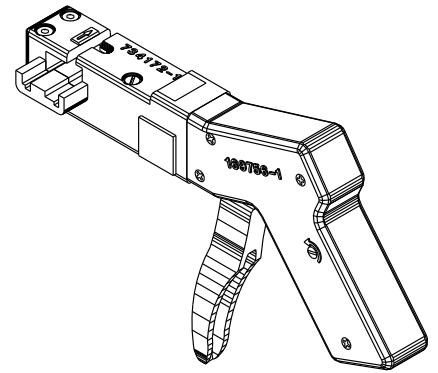
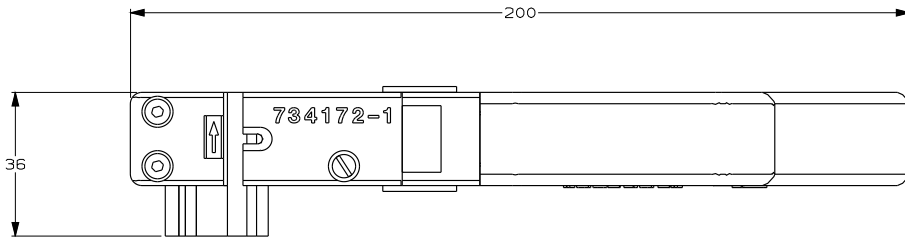


DO NOT SCALE
DIMENSIONS IN mm

METRIC

THIRD ANGLE
PROJECTION



1	BOX	734030-1	3
1	HEAD	734172-1	2
1	PISTOLGRIP	169756-1	1

CUSTOMER DRAWING		FINISH		NAME		PARTNUMBER		ITEM	
FOR REFERENCE ONLY WILL NOT BE UPDATED		-		AMP		AMP-HOLLAND B.V. 's-Hertogenbosch, The Netherlands.			
DR. L.V.D. HEYDEN		DATE 08.04.1988		WIRE RANGE		NAME		REV. DATE	
CHK. R. VOS		DATE		INSUL. RANGE		PISTOLGRIP HANDTOOL FOR MT-6-F CONN.		08 04 88	
APP. L. VAN SOEST		DATE		SIZE A3		SHEET 1 OF 1		DWG. No. 734173	
								REV. LTR. 0	

8 7 6 5 4 3 2 1