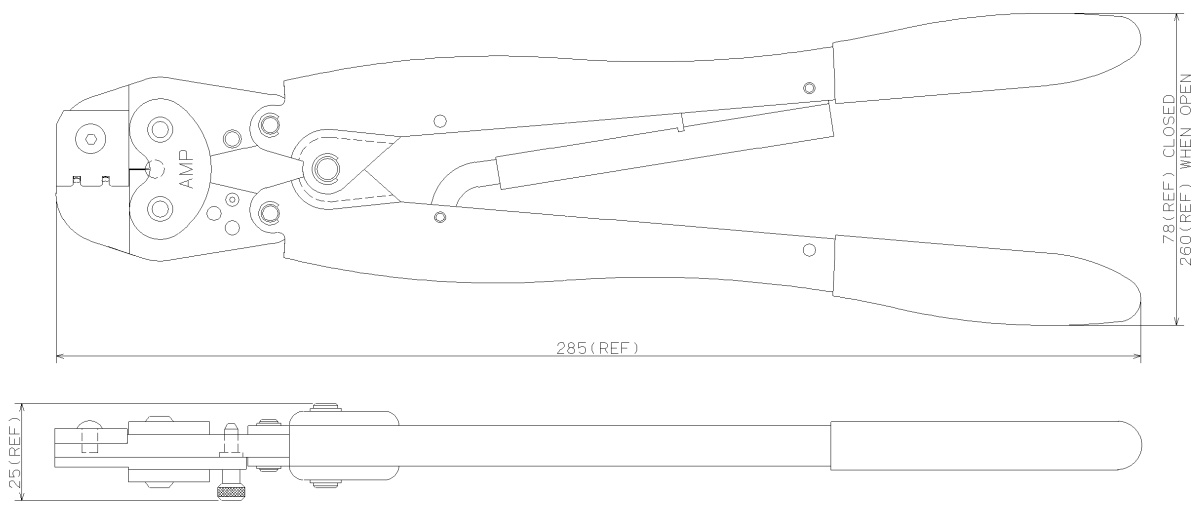


4 3 2 1

THIS DRAWING IS UNPUBLISHED. RELEASED FOR PUBLICATION  
 © COPYRIGHT 19 BY AMP INCORPORATED. ALL RIGHTS RESERVED.

LOC		DIST		REVISIONS			
P	LTR	DESCRIPTION		DATE	DWN	APVD	
0		RELEASED FJ00-1519-01		05 JUL 01	J.K	S.Y	



CRIMP SYMBOL	TERMINAL NO.		WIRE SIZE	INSULATION RANGE	TERMINAL C.H.WIRE	IS NO.
	L	P				
圧着部 記号	通用端子 パラ状		適用電線 AWG (mm <sup>2</sup> )	絶縁被覆径 mm	芯線圧着高さ mm	取扱説明書 番号
22-20	1376700	1376701	#22~#20 (0.30~0.56)	1.1~1.8	#22 0.78~0.94 #20 0.78~1.03	411-78003
18			#18 (0.75~0.89)	1.5~1.8	0.87~1.15	

<small>THIS DRAWING IS A CONTROLLED DOCUMENT FOR AMP INCORPORATED. IT IS SUBJECT TO CHANGE AND THE USER/INSTALLING ENGINEERING ORGANIZATION SHOULD BE CONTACTED FOR THE LATEST REVISION.</small>		DWN J.M.ENDOH 05 JUL '01		Tyco Electronics AMP K.K. Kawasaki, Japan		
DIMENSIONS: mm		CHK J.KOGA 05 JUL '01		NAME <b>DOUBLE ACTION HAND TOOL</b> (040 III Unsealed Rec Contact)	DRAWING NO.	
		APVD S.YABE 05 JUL '01			SIZE	CAGE CODE
MATERIAL 材料		TOLERANCES UNLESS OTHERWISE SPECIFIED: 0 FLC ± 1 FLC ± 2 FLC ± 3 FLC ± 4 FLC ± ANGLES ±	PRODUCT SPEC 製品規格 APPLICATION SPEC 取付適用規格 114-5217-1	WEIGHT 620 g	A3 00779 ©-1463383-1	
CUSTOMER DRAWING			SEAL F	SHEET 1 OF 1	REV 0	