

4

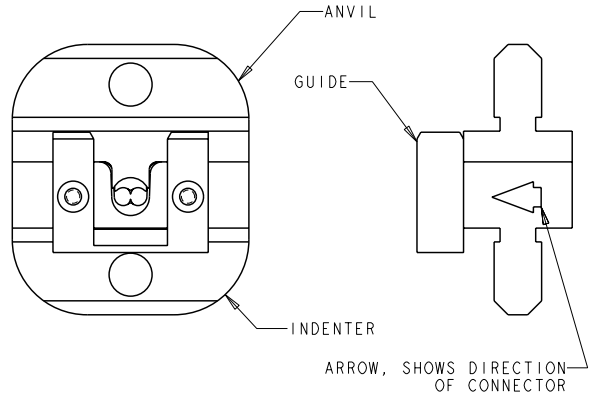
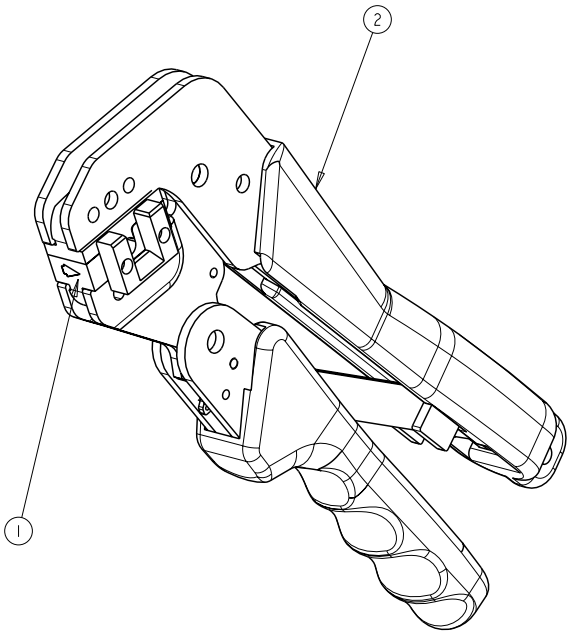
3

2

1

THIS DRAWING IS UNPUBLISHED. RELEASED FOR PUBLICATION  
 © COPYRIGHT 20 BY TYCO ELECTRONICS CORPORATION. ALL RIGHTS RESERVED.

LOC	DIST	REVISIONS				
P	LTR	DESCRIPTION	DATE	DWN	APVD	
CE	00					
	A	REV PER 0A00-0576-99	6-17-99	DDE	MG	
	B	REVISE PER ECR-08-015882	20AUG2008	BB	DK	



1	1976850-1	PROCRIMPER	2
1	1278627-1	DIESET	1
-1	PART NO	DESCRIPTION	ITEM NO

<small>THIS DRAWING IS A CONTROLLED DOCUMENT FOR TYCO ELECTRONICS CORPORATION          IT IS SUBJECT TO CHANGE AND THE CONTROLLING ENGINEERING ORGANIZATION          SHOULD BE CONTACTED FOR THE LATEST REVISION.</small>		DWN 4-16-99 CHK M GURRER 4-16-99 APVD S BUCHTER 4-16-99	Tyco Electronics Harrisburg, PA 17105-3608
DIMENSIONS: mm [INCHES]	TOLERANCES UNLESS OTHERWISE SPECIFIED: 0 PLC ±- 1 PLC ±0.5 2 PLC ±0.13 3 PLC ±0.013 4 PLC ±0.0001 ANGLES ±-	NAME DIESET, MT-RJ, MINI TWIN ZIP WITH AMP PROCRIMPER PRODUCT SPEC - APPLICATION SPEC - WEIGHT -	SIZE A3 CAGE CODE 00779 DRAWING NO C-1278632 RESTRICTED TO -
MATERIAL -	FINISH -	CUSTOMER DRAWING SCALE 2:1 SHEET 1 OF 1 REV B	

AMP 1470-19 REV 31MAR2000  
 Pro/ENGINEER DRAWING