

DO NOT SCALE
DIMENSIONS IN mm

METRIC

THIRD ANGLE
PROJECTION

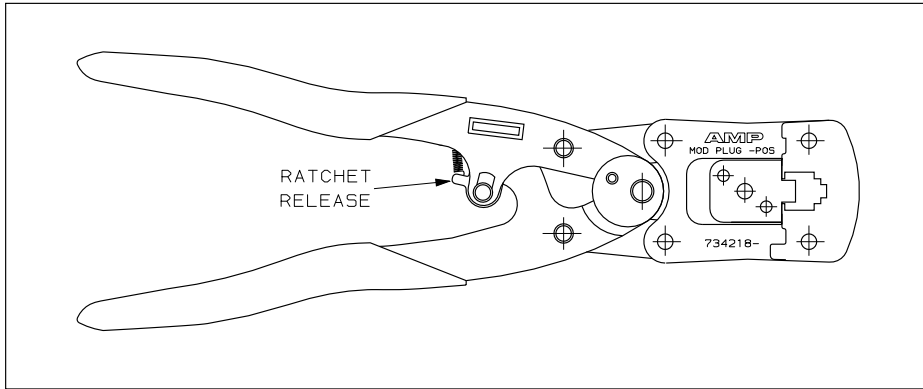


FIG. 1

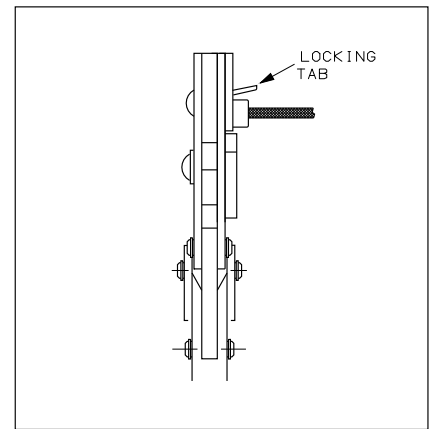


FIG. 4

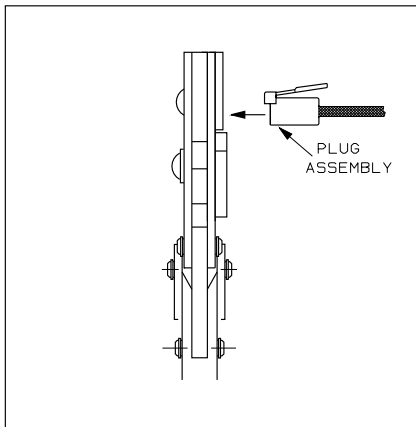


FIG. 3

		FINISH			
CUSTOMER DRAWING		AMP		AMP-HOLLAND B.V. 's-Hertogenbosch, The Netherlands.	
FOR REFERENCE ONLY WILL NOT BE UPDATED		THIS DRAWING IS UNPUBLISHED		RELEASED FOR PUBLICATION	
		© COPYRIGHT 19 - BY AMP-HOLLAND B.V. ALL INTERNATIONAL RIGHTS RESERVED. AMP PRODUCTS MAY BE COVERED BY U.S. AND FOREIGN PATENTS AND/OR PATENTS PENDING.			
DR. P. BEIJNDJ	DATE 24-2-89	WIRE RANGE -	NAME HANDTOOL FOR MOD PLUG		REV. DATE D M Y
CHK. R. VOS	DATE -	INSUL. RANGE -			24 2 89
APP. L. V. SOEST	DATE -	SIZE A3	SHEET 1 OF -	DWG. No. 734218	REV. LTR. Z

8 | 7 | 6 | 5 | 4 | 3 | 2 | 1