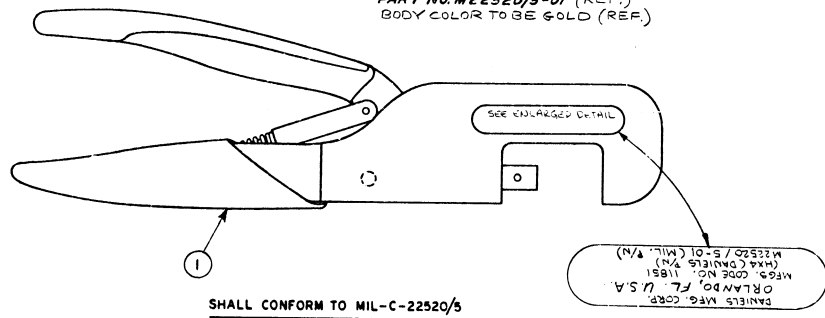


NOTES: THIS DRAWING IS THE PROPERTY OF AMPHENOL CORPORATION. IT IS TO BE KEPT IN CONFIDENCE AND IS NOT TO BE REPRODUCED OR TRANSMITTED IN ANY FORM OR BY ANY MEANS, ELECTRONIC OR MECHANICAL, INCLUDING PHOTOCOPYING, RECORDING, OR BY ANY INFORMATION STORAGE AND RETRIEVAL SYSTEM. THE USER OF THIS DRAWING SHALL BE RESPONSIBLE FOR OBTAINING ALL NECESSARY RIGHTS AND PERMISSIONS FROM THE APPLICABLE AGENCIES AND AUTHORITIES. THE USER SHALL BE RESPONSIBLE FOR OBTAINING ALL NECESSARY RIGHTS AND PERMISSIONS FROM THE APPLICABLE AGENCIES AND AUTHORITIES. THE USER SHALL BE RESPONSIBLE FOR OBTAINING ALL NECESSARY RIGHTS AND PERMISSIONS FROM THE APPLICABLE AGENCIES AND AUTHORITIES.

DO NOT SCALE THIS DRAWING

REVISIONS					
ZONE	SYM	DESCRIPTION	DATE	ECO NO.	APPR.
	A	ADDED COLOR SPEC.	1-2-74	20138	OR
	B	NEW USER SUPPLIED LABEL	1-2-74		OR
	C	DEL ITEM 2; UPDATE ADDRESS	1/26/74		OR

NOTES:
 1. MAY BE PURCHASED FROM:
DANIELS TOOL CO.
 ORLANDO, FL. U.S.A.
 AS DANIELS TOOL FRAME HX4
 PART NO. M22520/5-01 (REF.)
 BODY COLOR TO BE GOLD (REF.)



2. FRAME TO BE PACKAGED IN A CARDBOARD BOX WITH DIE INSTALLATION INSTRUCTIONS, BOTH SUPPLIED BY DANIELS MFG. CORP. AMPHENOL PART NO. MUST APPEAR ON TOP SIDE OF BOX.
 SIZE: 1 1/2" LGH. X 3" WIDE X 1 1/8" HT.

227-944
 DRAWING NUMBER
 C

DESCRIPTION	QUANTITY	UNIT	REMARKS

1	1	227-944	CRIMP TOOL FRAME	203	
QTY	ITEM	PART NO.	DESCRIPTION	CODE	FINISH
LIST OF MATERIAL					
TITLE			AMPHENOL		
CRIMP TOOL FRAME (PACKAGED)			AMPHENOL RF DIVISION 35 East Franklin St., Derby, Conn 06810		
CODE IDENTIFICATION		DRAWING SIZE		DRAWING NO.	
C		227-944		C	

OFFICIAL ENG. REL.
 20037