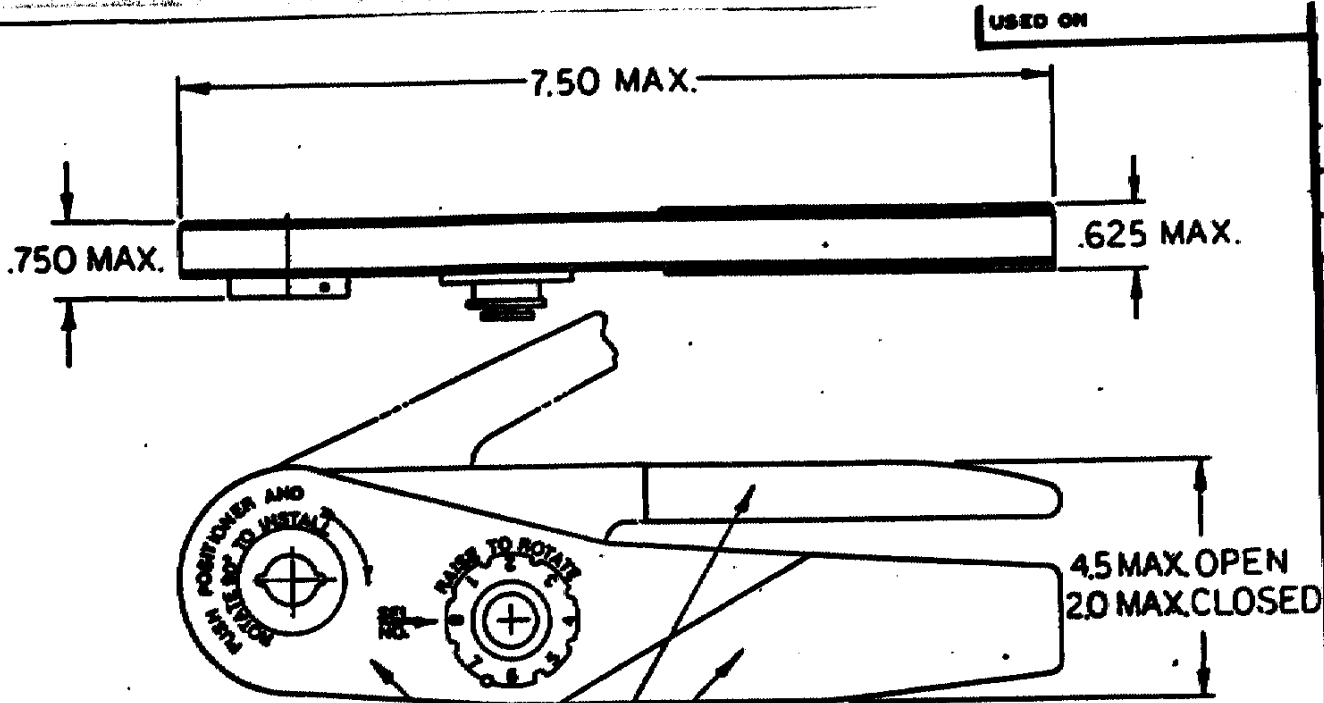


THIS INFORMATION IS CONFIDENTIAL AND IS DISCLOSED TO YOU ON CONDITION THAT NO FURTHER DISCLOSURE IS MADE BY YOU OR OTHERS WITHOUT WRITTEN AUTHORIZATION FROM AMP PRODUCTS CORP., VALLEY FORGE, PA., U. S. A.

DO NOT SCALE DRAWING



DIE CLOSURE		
SEL.	GO	NO-GO
8	.0390	.0440
7	.0340	.0390
6	.0300	.0350
5	.0260	.0310
4	.0220	.0270
3	.0190	.0240
2	.0160	.0210
1	.0130	.0180

BLUE

AMP ENGINEERING
 MAR 20 1988
 ISSUED BY *[Signature]*

CUSTOMER DRAWING
 UNPUBLISHED

D		601966-1		CRIMPING TOOL, AS SHOWN		ITEM NO
DIST		DWG SIZE	PART NO	DESCRIPTION		ITEM NO
1		← REVISION OF EACH ASSY NO (WHEN BLANK, USE DWG REVISION)				
QTY REQD PER ASSY		PARTS LIST				
		MATERIAL	HEAT TREAT	FINISH		
		#	#	#		
		TOLERANCES UNLESS OTHERWISE SPECIFIED:		ON <i>Ray</i> 6-9-88 W. W. <i>W. W.</i> 6/12/88 REL <i>REL</i> 6-9-88 F. HARNED 3-20-89		
		DECIMALS: .00 = ± .00 .000 = ± .000 .0000 = ± .0000		AMP PRODUCTS CORPORATION Valley Forge, PA 19422 A Subsidiary of AMP Incorporated		
		ANGLES: 20° 20'		NAME CRIMPING TOOL		
		FRACTIONS: ± 1/64		M22520/2-01		
		REMOVE BURRS		SCALE A		
P P LTR		REVISION RECORD	APP. DATE	DWG NO	SHEET #	REV #
		0	REL DWG 6-9-88	601966-1	#	0