

4

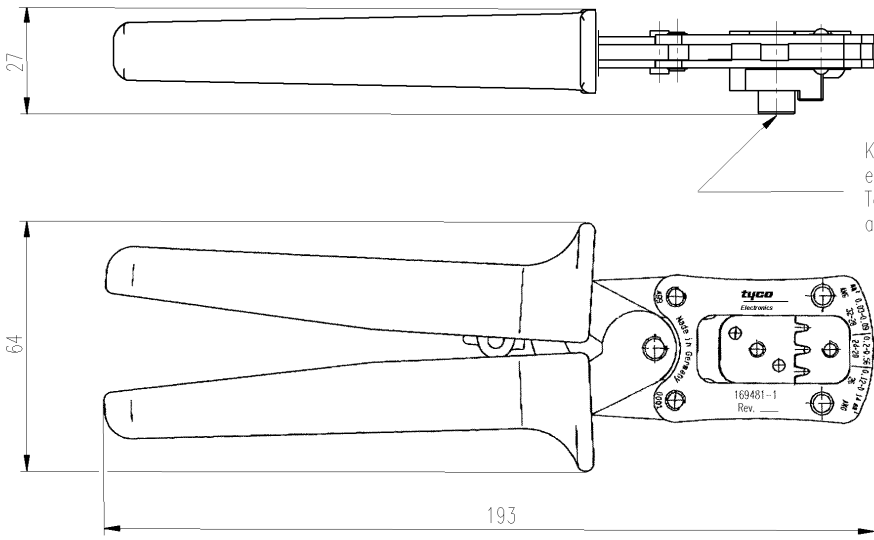
3

2

1

THIS DRAWING IS UNPUBLISHED. RELEASED FOR PUBLICATION 2003  
 © COPYRIGHT 2003 BY TYCO ELECTRONICS CORPORATION. ALL RIGHTS RESERVED.

LOC	DIST	REVISIONS					
A1	-	P	LTR	DESCRIPTION	DATE	DWN	APVD



Kontaktpositionierer als Ersatzteil  
 erhältlich: Tyco-Nr. 4-539785-8  
 Terminal locator as spare part  
 available: Tyco-No. 4-539785-8

Wire Range mm*	AWG	Crimp Height mm	Insulation Range mm	Terminals
0,03-0,09	32-28	0,53 +0,03	1,4 max.	167023-2
0,20-0,56	24-20	0,77 +0,03	1,4 max.	141603-3
0,12-0,14	26	0,72 +0,03	0,5 - 1,0	141603-3

<small>THIS DRAWING IS A CONTROLLED DOCUMENT FOR TYCO ELECTRONICS CORPORATION          IT IS SUBJECT TO CHANGE AND THE CONTROLLING ENGINEERING ORGANIZATION          SHOULD BE CONTACTED FOR THE LATEST REVISION.</small>		DWN Ch.Witt	24OCT2005	<b>tyco</b> <b>Electronics</b>	tyco Electronics AMP GmbH D - 64625 Bensheim
DIMENSIONS: mm		CHK -	-		NAME
TOLERANCES UNLESS OTHERWISE SPECIFIED: 0 PLC ±0.1 1 PLC ±0.1 2 PLC ±0.1 3 PLC ±0.1 4 PLC ±0.1 ANGLES ±0.5°		APVD -	-	PRODUCT SPEC -	RESTRICTED TO
MATERIAL -		FINISH -		APPLICATION SPEC -	SIZE A3
-		-		WEIGHT 330 g	CAGE CODE 00779
-		-		DRAWING NO 169481-1	
-		-		CUSTOMER DRAWING	
-		-		SCALE -	SHEET 1 of 1
-		-		REV D	

AMP 1470-19 REV 31MAR2000

Pro/ENGINEER DRAWING