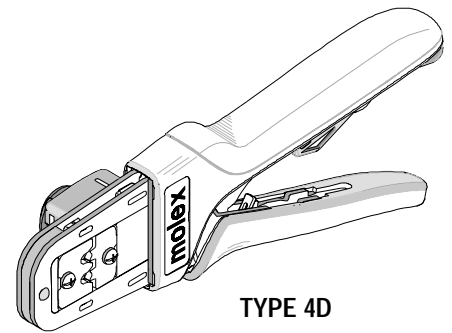




HAND CRIMP TOOL Specification Sheet Order No. 63819-1200



TYPE 4D

FEATURES

- A full cycle ratcheting hand tool ensures complete crimps
- Ergonomic soft grip handles for comfortable crimping
- A precision user-friendly terminal locator wire stop holds terminals in the proper crimping position
- Right and Left handed applications
- This tool is WHMA-IPCA620 Class 2 compliant as indicated
- This tool is RoHS compliant, however RoHS compliant is not required

SCOPE

Products: 2.36mm (.093") Diameter, Standard .093" Pin and Socket Crimp Terminals, 18-22 AWG, Claspcron Pin and Socket Crimp Terminals, 16-24 AWG, and Commoning Terminals, 18-22 AWG.

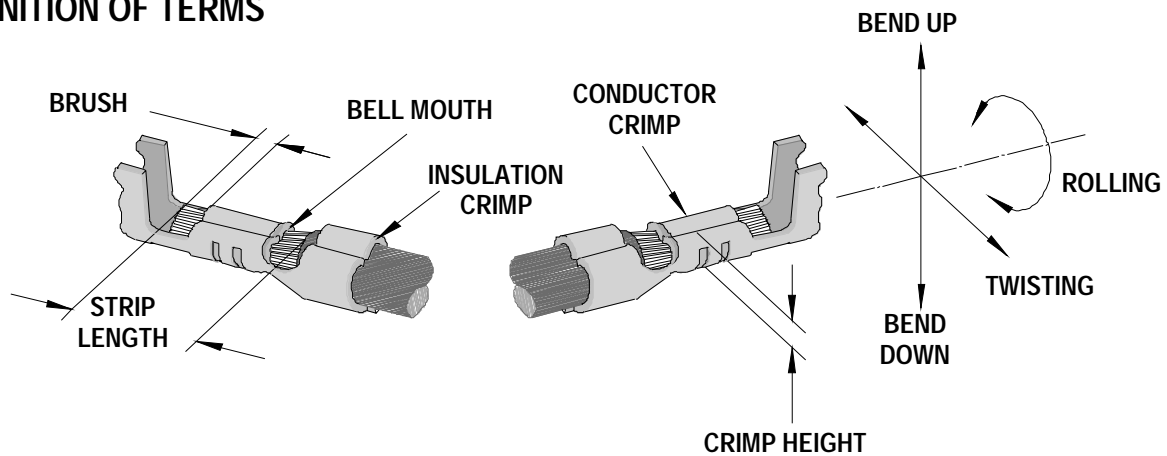
Terminal Series No.	Terminal Order No.		Wire Size		Insulation Diameter		Strip Length	
	Loose Piece	+ Reel	AWG	mm ²	mm	In.	mm	In.
1380	02-09-2118	02-09-6126	18-22	0.82-0.32	1.52-3.05	.060-.120	3.30-3.80	.130-.150
	02-09-6123	39-00-0302						
1381	02-09-1118	39-00-0307	18-22	0.82-0.32	1.52-3.05	.060-.120	3.30-3.80	.130-.150
	02-09-1119	39-00-0308						
	02-09-5133							
	02-09-5142							
1457-1	05-02-0048	05-02-0047	18-22	0.82-0.32	1.55-2.59	.061-.102	3.30-3.80	.130-.150
1881-2	02-08-1102		16-24	1.31-0.22	1.50-3.50	.059-.138	3.30-3.80	.130-.150
1973	02-09-8104		18-22	0.82-0.32	3.51 Max.	.138 Max.	3.30-3.80	.130-.150
2273	02-09-1123		18-22	0.82-0.32	1.52-3.05	.060-.120	3.30-3.80	.130-.150
4272	02-09-1149		18-22	0.82-0.32	1.52-3.05	.060-.120	3.30-3.80	.130-.150
6271	02-09-1212		18-22	0.82-0.32	1.52-3.05	.060-.120	3.30-3.80	.130-.150

+ Customer to cut off terminal from reel: 0.18mm (.007") maximum Cut-off Tab.

To Achieve IPC-A-620 Class 2 Crimps, the following wire insulation diameter limits are recommended:

1. Terminal #1881-2 maximum diameter - 3.14mm (.124 inch)
2. Terminal #1973 maximum diameter - 2.85mm (.112 inch)
3. 16 - 20 AWG Profile minimum diameter (all terminals) - 1.70mm (.067 inch)

DEFINITION OF TERMS



The above terminal drawing is a generic terminal representation. It is not an image of a terminal listed in the scope.

CONDITIONS:

After crimping, the conductor profiles should measure the following.

Terminal Series No	Wire Size		Conductor Crimp				Insulation Crimp			
	AWG	mm ²	Height (Ref.)		Width (Ref.)		Height (Ref.)		Width (Ref.)	
1380	18	0.82	1.48 - 1.58	.058-.062	1.93	.076	2.88	.113	2.59	.102
	20	0.52	1.37 - 1.47	.054-.058	1.92	.076	2.70	.106	2.56	.101
	22	0.32	1.34 - 1.44	.053-.056	1.91	.075	2.44	.096	2.31	.091
1381	18	0.82	1.48 - 1.58	.058-.062	1.93	.076	2.88	.113	2.59	.102
	20	0.52	1.37 - 1.47	.054-.058	1.92	.076	2.70	.106	2.56	.101
	22	0.32	1.34 - 1.44	.053-.056	1.91	.075	2.44	.096	2.31	.091
1457-1	18	0.82	1.48 - 1.58	.058-.062	1.93	.076	2.88	.113	2.59	.102
	20	0.52	1.37 - 1.47	.054-.058	1.92	.076	2.70	.106	2.56	.101
	22	0.32	1.34 - 1.44	.053-.056	1.91	.075	2.44	.096	2.31	.091
1881-2	16	1.31	1.52 - 1.62	.060-.064	1.95	.077	2.96	.117	2.63	.104
	18	0.82	1.48 - 1.58	.058-.062	1.93	.076	2.88	.113	2.59	.102
	20	0.52	1.37 - 1.47	.054-.058	1.92	.076	2.70	.106	2.56	.101
	22	0.32	1.34 - 1.44	.053-.056	1.91	.075	2.44	.096	2.31	.091
1973	18	0.82	1.48 - 1.58	.058-.062	1.93	.076	2.88	.113	2.59	.102
	20	0.52	1.37 - 1.47	.054-.058	1.92	.076	2.70	.106	2.56	.101
	22	0.32	1.34 - 1.44	.053-.056	1.91	.075	2.44	.096	2.31	.091
2273	18	0.82	1.37 - 1.47	.054-.058	1.92	.076	2.75	.108	2.58	.102
	20	0.52	1.27 - 1.37	.050-.054	1.90	.075	2.63	.104	2.48	.098
	22	0.32	1.25 - 1.35	.049-.053	1.88	.074	2.35	.093	2.30	.091
4272	18	0.82	1.37 - 1.47	.054-.058	1.92	.076	2.75	.108	2.58	.102
	20	0.52	1.27 - 1.37	.050-.054	1.90	.075	2.63	.104	2.48	.098
	22	0.32	1.25 - 1.35	.049-.053	1.88	.074	2.35	.093	2.30	.091
6271	18	0.82	1.37 - 1.47	.054-.058	1.90	.076	2.75	.108	2.58	.102
	20	0.52	1.27 - 1.37	.050-.054	1.90	.075	2.63	.104	2.48	.098
	22	0.32	1.25 - 1.35	.049-.053	1.88	.074	2.35	.093	2.30	.091

Terminal Series No	Wire Size		PULL Force Minimum		Profile		Locator	
	AWG	mm ²	N	Lb..	16-20	22-24	Order no.	Color
1380	18	0.82	111.3	25.00	x		63819-1175	Red
	20	0.52	66.8	15.00	x			
	22	0.32	53.4	12.00		x		
1381	18	0.82	111.3	25.00	x		63819-1175	Red
	20	0.52	66.8	15.00	x			
	22	0.32	53.4	12.00		x		
1457-1	18	0.82	111.3	25.00	x		63819-1176	Yellow
	20	0.52	66.8	15.00	x			
	22	0.32	53.4	12.00		x		
1881-2	16	1.31	155.8	35.00	x		63819-1175	Red
	18	0.82	111.3	25.00	x			
	20	0.52	66.8	15.00	x			
	22	0.32	53.4	12.00		x		
	24	0.22	35.6	8.00		x		
1973	18	0.82	111.3	25.00	x		63819-1176	(yellow)
	20	0.52	66.8	15.00	x			
	22	0.32	53.4	12.00		x		
2273	18	0.82	89.0	20.00	x		63819-1175	Red
	20	0.52	62.3	14.00	x			
	22	0.32	44.5	10.00		x		
4272	18	0.82	89.0	20.00	x		63819-1175	Red
	20	0.52	62.3	14.00	x			
	22	0.32	44.5	10.00		x		
6271	18	0.82	89.0	20.00	x		63819-1175	Red
	20	0.52	62.3	14.00	x			
	22	0.32	44.5	10.00		x		

OPERATION

CAUTION: Install only Molex terminals listed above with this tool. Do not crimp hardened objects as damage can occur to the tool or die.

Open the tool by squeezing the handles together. At the end of the closing stroke, the ratchet mechanism will release the handles and the hand tool will spring open. See Figure 1.

Crimping Terminals

1. Select the desired terminal listed from the preceding charts, and install the proper locator (See chart above and see Locator Installation on page 5).

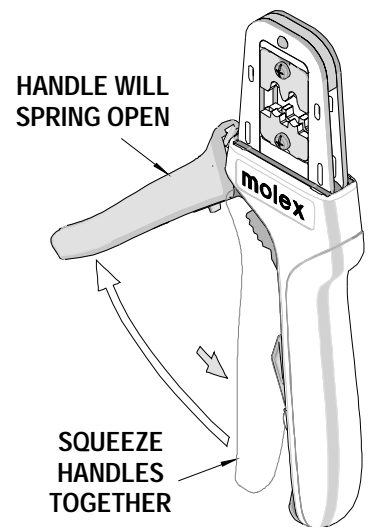
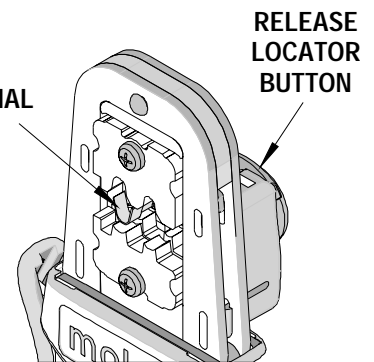
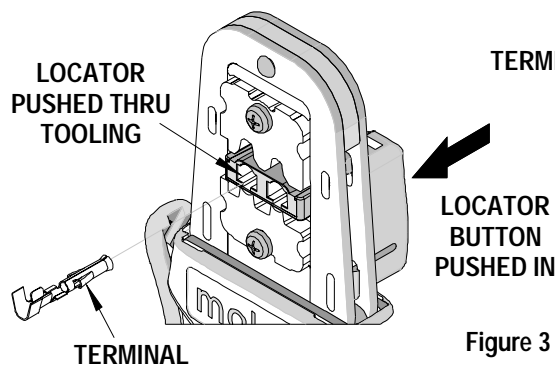
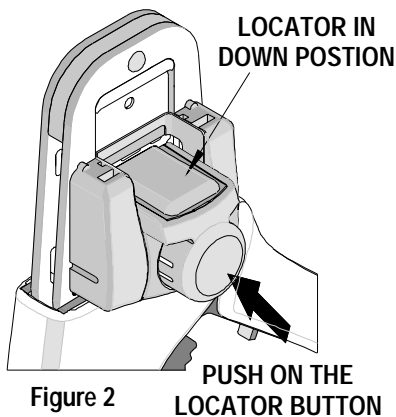
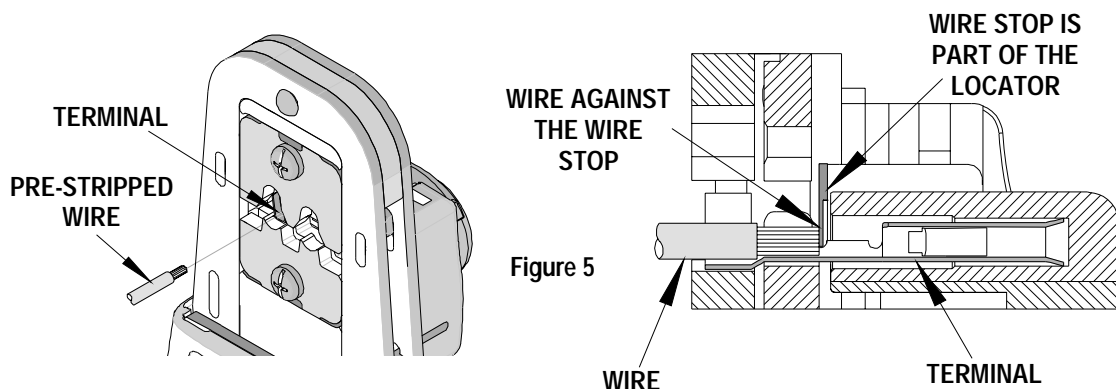
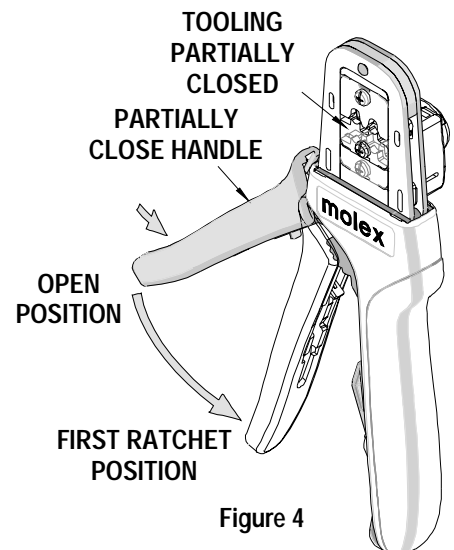


Figure 1

2. Make sure the center of the locator is in the down position. With the locator attached, push the locator button on the back of the hand tool to bring the locator forward through the tooling. See Figure 2.

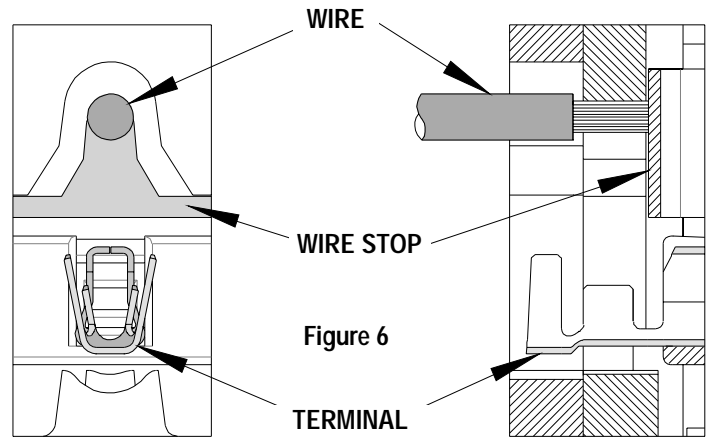


3. While holding in the locator button, load the terminal into the proper nest opening in the locator based on the wire gauge or terminal type markings on the hand tooling. See Figure 3.
4. Release the locator button, allowing the locator to return to the crimping position.
5. Close the tool handle until the first ratchet position engages. See Figure 4.
6. Insert the properly stripped wire through the terminal and against the wire stop. See Figure 5.
7. Crimp the terminal by squeezing the tool handles until the ratchet mechanism cycle has been completed. Release the handles to open the jaws.



Note: The tamper proof ratchet action will not release the tool until it has been fully closed.

8. Remove the crimped terminal from the terminal locator by pulling on the wire.
9. Visually inspect the crimped terminal for proper crimp location.
10. On some large O.D. wires, it may not be possible to insert the wire with the tool partially closed. Those wires should be inserted with the hand tool in the open position. Insert the wire above the terminal in the punch and against the wire stop then close the tool. See Figure 6.



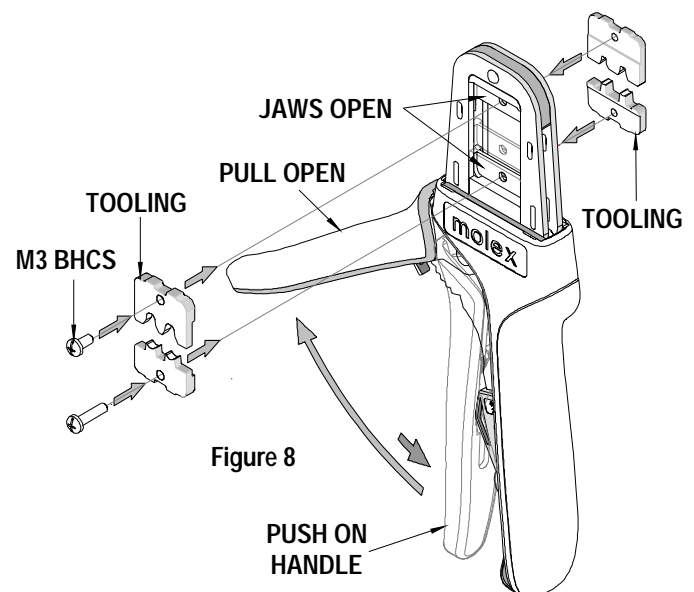
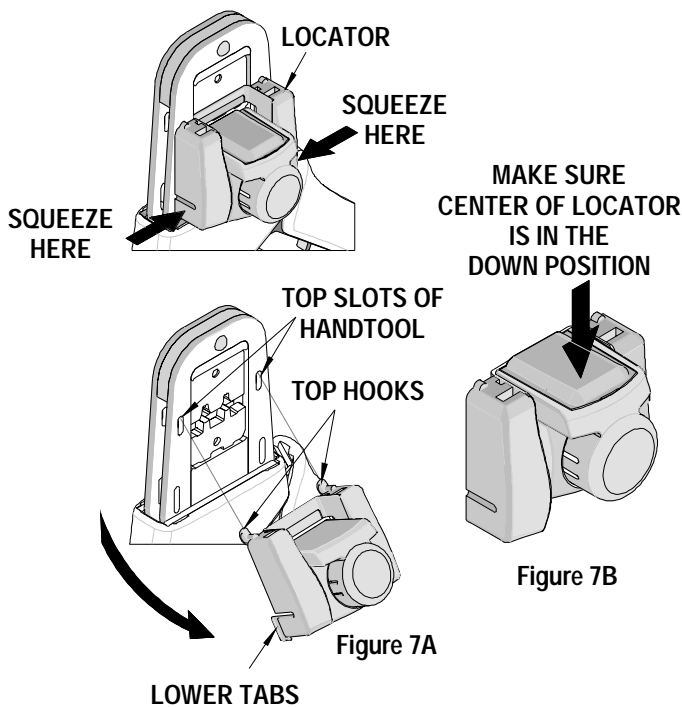
Note:

A crimp height chart is provided with this manual as Reference Only. Due to the wide range of wires, strands, insulation diameters, and durometers available, actual crimp height measurements may vary slightly. An occasional, destructive, pull force test should be performed to check hand tool crimp. Pull Force value Must exceed the Minimum pull force specifications listed.

Locator Installation

See the parts list on the last page of this document for the proper locator order number. Follow the steps below to replace the locator.

1. Open the crimp hand tool.
2. Squeeze gently on the lower area shown in Figure 7A with your thumb and index finger. The lower tabs of the locator should disengage from the hand tool.



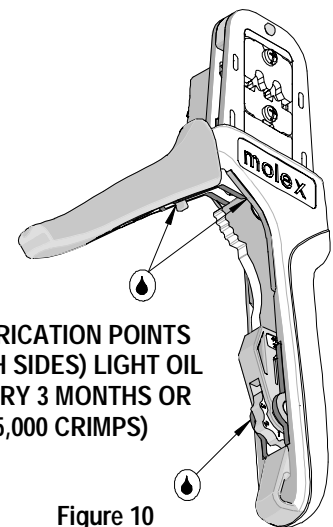
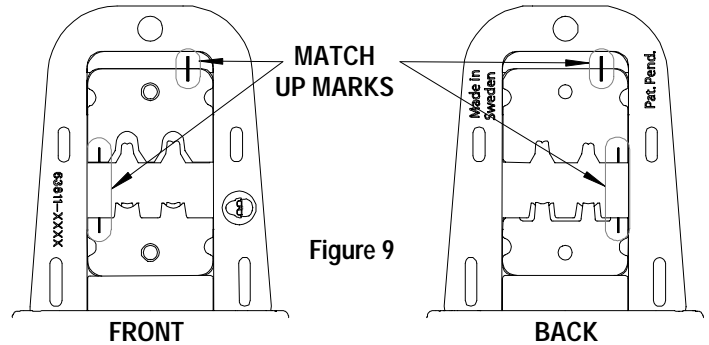
3. Lift and pull away from the hand tool. The top locator hooks should slip out of the top slots easily. See Figure 7A.

4. To reinstall the new locator, make sure the hand tool is in the open position.
5. Press the red insert down as far as it will go as shown in Figure 7B.
6. Holding onto the lower part of the locator with your thumb and index finger, insert the locator top hooks (2) into the hand tool top slots.
7. Rotate the locator down and press the lower tabs into the two bottom slots of the hand tool. To secure the locator into place, the lower tabs must snap into place on the hand tool frame.

Right or Left Hand Operation

This hand tool has an added feature that can be converted from a right handed application to a left handed application. It is necessary to reverse the tooling along with the locator if using the left handed application. Follow the steps below:

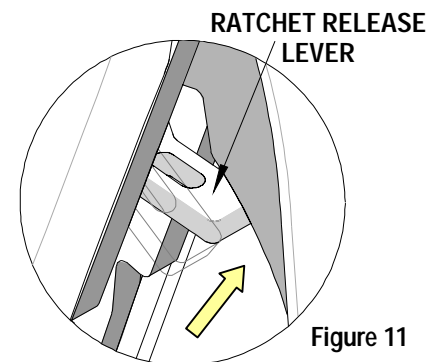
1. The locator must be removed before reversing the tooling.
2. Remove the M3 BHCS which is holding the upper tooling.
3. Flip the upper tooling to the opposite side and replace the M3 BHCS. Make sure the small markings on the front and back of the hand tool frame match up and are on the outside of the hand tool frame. See Figure 8 and 9.
4. Do the same thing with the lower tooling and tighten the M3 screws. Be sure the small markings line up.
5. Reinstall the locator by following the Instructions in the locator replacement section.



Maintenance

It is recommended that each operator of the tool be made aware of, and responsible for, the following maintenance steps:

1. Remove dust, moisture, and other contaminants with a clean brush, or soft, lint free cloth.
2. Do not use any abrasive materials that could damage the tool.
3. Make certain all pins; pivot points and bearing surfaces are protected with a thin coat of high quality machine oil. Do not oil excessively. The tool was engineered for durability but like any other equipment it needs cleaning and lubrication for a maximum service life of trouble free crimping. Light oil (such as 30 weight automotive oil) used at the oil points, every 5,000 crimps or 3 months, will significantly enhance the tool life.
4. Wipe excess oil from hand tool, particularly from crimping area. Oil transferred from the crimping area onto certain terminations may affect the electrical characteristics of an application.
5. When tool is not in use, keep the handles closed to prevent objects from becoming lodged in the crimping dies, and store the tool in a clean, dry area.



Miscrimps or Jams

Should this tool ever become stuck or jammed in a partially closed position, **Do Not force the handles open or closed.**

The tool will open easily by pressing up on the ratchet release lever in the movable handle. See Figure 11

How to Adjust Tool Preload

(See Figure 10)

This hand tool is factory preset to 25-45 LBS. preload. It may be necessary over the life of the tool to adjust tool handle preload force. Listed below are the steps required to adjust the crimping force of the hand tool to obtain proper crimp conditions:

1. Hold the hand tool in the palm of your hand as shown in Figure 12. Using the index finger squeeze the link towards the top of the hand tool frame. This will release the preload adjustment wheel.
2. Rotate the setting wheel counter-clockwise (CCW) to increase handle force. The numbers will display higher. To decrease handle force, rotate the setting wheel clockwise (CW).
3. Release the link to lock the setting wheel in place.
4. Check the crimp specifications or conduct a pull test after tool handle preload force is adjusted.

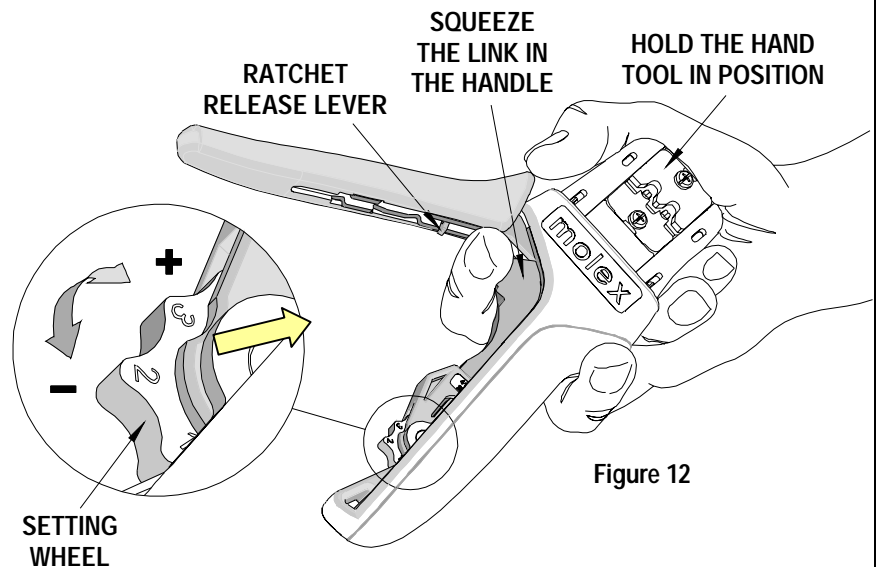


Figure 12

Warranty

This tool is for electrical terminal crimping purposes only. This tool is made of the best quality materials. All vital components are long life tested. All tools are warranted to be free of manufacturing defects for a period of 30 days. Should such a defect occur, we will repair or exchange the tool free of charge. This repair or exchange will not be applicable to altered, misused, or damaged tools. This tool is designed for hand use only. Any clamping, fixturing, or use of handle extensions voids this warranty.

CAUTION: Molex crimp specifications are valid only when used with Molex terminals and tooling.

CAUTIONS:

1. Manually powered hand tools are intended for low volume or field repair. This tool is **NOT** intended for production use. Repetitive use of this tool should be avoided.
2. Insulated rubber handles are not protection against electrical shock.
3. Wear eye protection at all times.
4. Use only the Molex terminals specified for crimping with this tool.

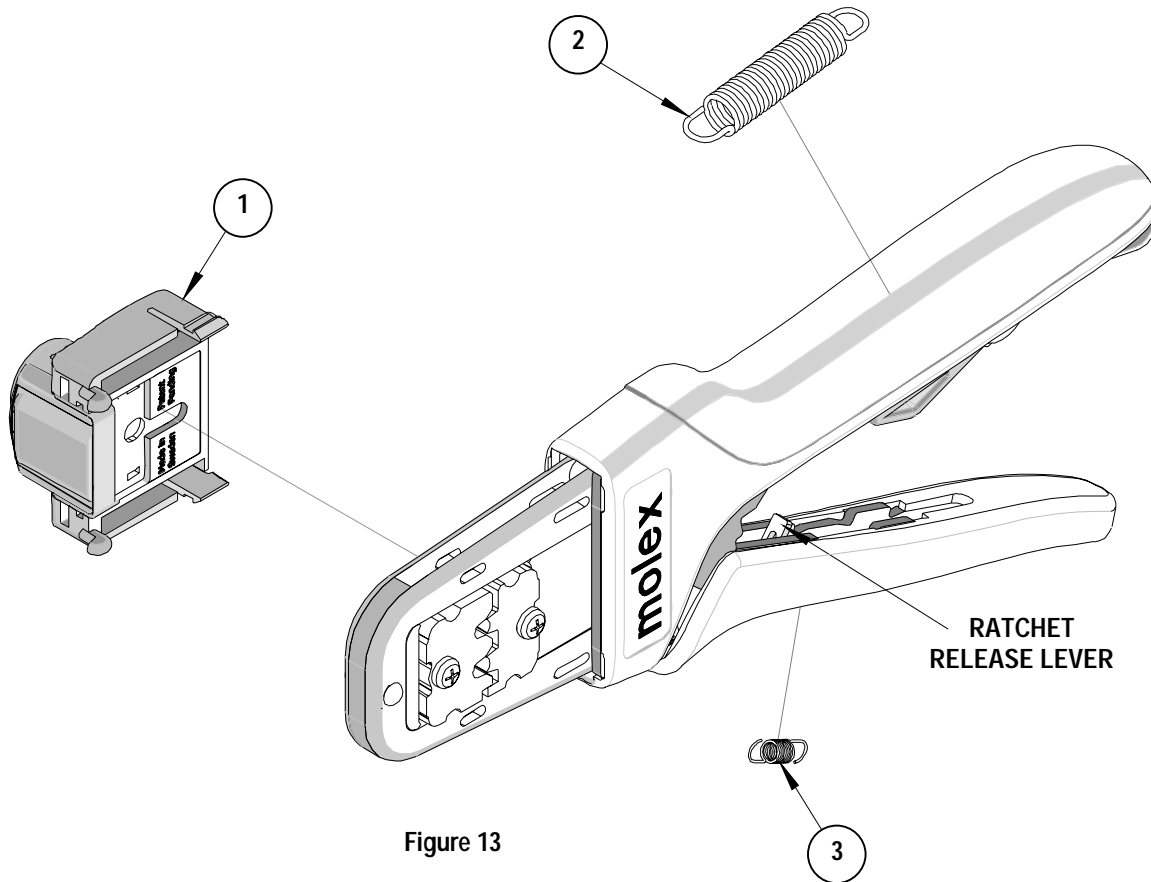
Certification

Molex does not certify or re-certify hand tools but rather supplies the following guidelines for customers to re-certify hand tools.

- This tool is qualified to pull force only. To re-certify, crimp a terminal to a wire, which has been stripped 12.7mm (1/2") long, so there is no crimping of the insulation. Pull the terminal and wire at a rate no faster than 25mm (1.00") per minute. See the Molex web site for the Quality Crimp Handbook for more information on pull testing.
- If the tool does not meet minimum pull force values, handle preload should be increased and the pull test rerun, (See How to Adjust Preload).
- When the hand tool is no longer capable of achieving minimum pull force, it should be taken out of service and replaced.

PARTS LIST

Item Number	Order Number	Description	Quantity
REF	63819-1200	Hand Crimp Tool	Figure 13
1	63819-1175	Locator Assembly (Red)	1
1	63819-1176	Locator Assembly (Yellow)	1
2	63810-0104	Spring, Return	1
3	63810-0105	Spring, Ratchet	1



Americas Headquarters
 Lisle, Illinois 60532 U.S.A.
 1-800-78MOLEX
 amerinfo@molex.com

Far East North Headquarters
 Yamato, Kanagawa, Japan
 81-462-65-2324
 feninfo@molex.com

Far East South Headquarters
 Jurong, Singapore
 65-6-268-6868
 fesinfo@molex.com

European Headquarters
 Munich, Germany
 49-89-413092-0
 eurinfo@molex.com

Corporate Headquarters
 2222 Wellington Ct.
 Lisle, IL 60532 U.S.A.
 630-969-4550
 Fax: 630-969-1352

Visit our Web site at <http://www.molex.com>