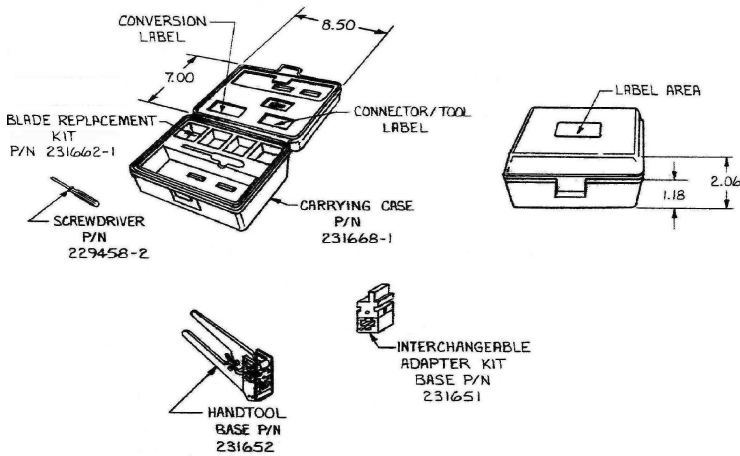


THIS DRAWING IS UNPUBLISHED. RELEASED FOR PUBLICATION
 © copyright by TRON ELECTRONICS CORPORATION. ALL RIGHTS RESERVED.

| LOC | | REVISIONS | | | |
|-----|-----|------------------|------|----|------|
| A | REV | DESCRIPTION | DATE | BY | CHKD |
| | C2 | ECN 0150-0298-05 | 3-05 | MY | BW |



- ALL KITS INCLUDE THE FOLLOWING:
 - SMALL SCREWDRIVER;
 - BLADE REPLACEMENT KIT; AND
 - INSTRUCTION SHEET
- PARTS MAY BE OBTAINED SEPERATELY.
- ALL DIMENSIONS SHOWN ARE FOR REFERENCE ONLY.
- FOR UP TO DATE INFORMATION ON THIS TOOL KIT SEE INSTRUCTION SHEET 408-9767.

| | |
|--|----------|
| CARRYING CASE WITH BLADE REPLACEMENT KIT AND SCREWDRIVER | 231666-9 |
| KIT WITH 8-POSITION LINE HANDTOOL AND 6-POSITION UNDERCARPET ADAPTER KIT | 231666-8 |
| KIT WITH 8-POSITION LINE HANDTOOL AND 6-POSITION LINE ADAPTER KIT | 231666-7 |
| KIT WITH 8-POSITION LINE HANDTOOL; 6-POSITION LINE ADAPTER KIT AND 4-POSITION HANDSET ADAPTER KIT | 231666-6 |
| KIT WITH 8-POSITION LINE HANDTOOL; 6-POSITION LINE ADAPTER KIT; 4-POSITION HANDSET ADAPTER KIT; AND 6-POSITION UNDERCARPET ADAPTER KIT | 231666-5 |
| KIT WITH 6-POSITION UNDERCARPET HANDTOOL | 231666-4 |
| KIT WITH 4-POSITION HANDSET HANDTOOL | 231666-3 |
| KIT WITH 6-POSITION LINE HANDTOOL | 231666-2 |
| KIT WITH 8-POSITION LINE HANDTOOL | 231666-1 |
| DESCRIPTION | PART NO |

FSCM NO 00779

| THIS DRAWING IS A CONTROLLED DOCUMENT. | | BY M. YOUNGER 230405 | | TRON Electronics | | Teco Electronics Corporation | |
|--|-------|----------------------|--|---------------------------|--|------------------------------|--|
| DIMENSIONS: INCHES | | CHKD B. WOLFE 230405 | | DATE 230405 | | Harrisburg, Pa 17105-3608 | |
| TOLERANCES UNLESS OTHERWISE SPECIFIED: | | DIP B. WOLFE 230405 | | P/N 230405 | | REV | |
| 0.100 | 0.005 | PRODUCT SPEC | | MODULAR PLUG HANDTOOL KIT | | | |
| 0.125 | 0.005 | APPLICATION SPEC | | SIZE | | DATE CODE | |
| 0.150 | 0.005 | MATERIAL | | A2 | | 00779 | |
| 0.175 | 0.005 | FINISH | | C=231666 | | DRAWING NO | |
| 0.200 | 0.005 | CUSTOMER DRAWING | | SCALE | | RESTRICTED TO | |
| | | | | SHEET 1 of 1 | | REV C2 | |

AMP 1471-B REV 31042000

231666