

BK PRECISION®

BK PRECISION®

Instruction Manual

PN: 480-826-9-001
Printed in China
©1998 B&K Precision Corp.

1031 Segovia Circle
Placentia, CA 92870-7137
USA
TEL: 714-237-9220
FAX: 714-237-9214
www.bkprecision.com

Model 1211E NTSC Pattern Generator



SAFETY GUIDELINES

WARNING

An electrical current of over 10 milliamps passing through the heart will stop most human hearts. Voltage of as low as 35Volts dc or ac rms should be considered hazardous since it can produce lethal current under certain conditions. Be sure to observe the following safety precautions:

6. There are no high voltages in the color pattern generator, but the equipment under test usually contains hazardous high voltage. Always follow the safety recommendations of the manufacturer of your equipment.
7. Some equipment may be wired as a "hot chassis" type; equipment using two-wire power plugs are always suspect and it may even include those with polarized plugs. Never touch chassis of "hot chassis" type equipment to avoid the possibility of a serious, possibly fatal electrical shock.
8. Don't expose yourself needlessly to high voltage; only remove housings and covers when necessary.
9. Familiarize yourself with the equipment being tested and the location of its high voltage points. However be aware that high voltage may appear at unexpected points in defective equipment.
10. Never work alone. Someone should be nearby to render aid if needed. Training in CPR(Cardio-pulmonary resuscitation) is highly recommended.

Service Information

Contact B&K Precision to receive a repair Return Authorization tracking number. This number must be clearly written on the exterior of the shipping carton and will assist us with the processing of your return. Return all merchandise to B&K Precision Corp. with pre-paid shipping. The flat-rate repair charge includes return shipping to locations in North America. For overnight shipments and non-North America shipping fees contact B&K Precision Corp.

Warranty Service: Please return the product in the original packaging with proof of purchase to the below address. Clearly state in writing the performance problem and return any leads, connectors and accessories that you are using with the device.

Non-Warranty Service: Return the product in the original packaging to the below address. Clearly state in writing the performance problem and return any leads, connectors and accessories that you are using with the device. Customers not on open account must include payment in the form of a money order or credit card. For the most current repair charges contact the factory before shipping the product.

B&K Precision Corp.
1031 Segovia Circle
Placentia, CA 92870
Phone: 714- 237-9220
Facsimile: 714-237-9214

Include with the instrument your complete return shipping address, contact name, phone number and description of problem.

Model 1211E NTSC Pattern Generator

FEATURES:

- ◆ Tests Video Cassette Recorders, Video Disc Players and Televisions with Channel 3 and Video or S-Video inputs.
- ◆ Provides RF, Composite Video, and S-video outputs.
- ◆ Switch selectable Interlaced or Progressive scans.
- ◆ Provides NTSC Color bars, Cross-hatch, Dots, Staircase, Circle, Center Cross, window, and Color Raster.
- ◆ Standard RCA connectors for Audio & Video and Min-Din for S-Video.
- ◆ Single push button selectable patterns with hold down reverse.
- ◆ Standard 9V Battery or adapter power source.
- ◆ Low battery indicator.

OPERATION:

1. Place the scan type switch to the proper position for the type of unit to be tested.
 2. Connect the RF and video or S-video output which ever are appropriate to the corresponding inputs of the equipment under test.
 3. Turn on the power to both the unit under test and the NTSC Generator.
 4. Press the video pattern push-button to step to the desired pattern.
- By holding the video pattern switch, the output will scroll back to the previously displayed patterns.

SPECIFICATIONS

Video Pattern

Color Bars: white, yellow, cyan, green, magenta, red, blue, and black.

Crosshatch: 15 vertical x 11 horizontal white lines on black raster.

Dot: 15 vertical x 11 horizontal white dots on black raster.

Stair Case: Linear staircase signal with 5 equal steps from black to white.

Circle: Circle with 1x1 crosshatch

Raster: White, red, green, blue, yellow, cyan, magenta and black.

Window: White window on black background.

Center Cross: Centering box on screen.

SCANNING SYSTEM : Interlace and Progressive.

RF OUTPUT: CH3 = 61.25Mhz Crystal controlled.

COMPOSITE VIDEO: 1V p-p into 75 ohms.

S-VIDEO: Chrominance output : 0.6V p-p into 75 ohms
Luminance plus Sync Output: 0.8V p-p into 75 ohms

SOUND: 1Khz audio tone **Dimensions:** 1.5" x 3.8" x 5.7"

POWER: One 9V batter or common AC adapter (not included)
(9V DC, 100mA 5.5mm x 2.1mm center pin +)

Controls and Indicators

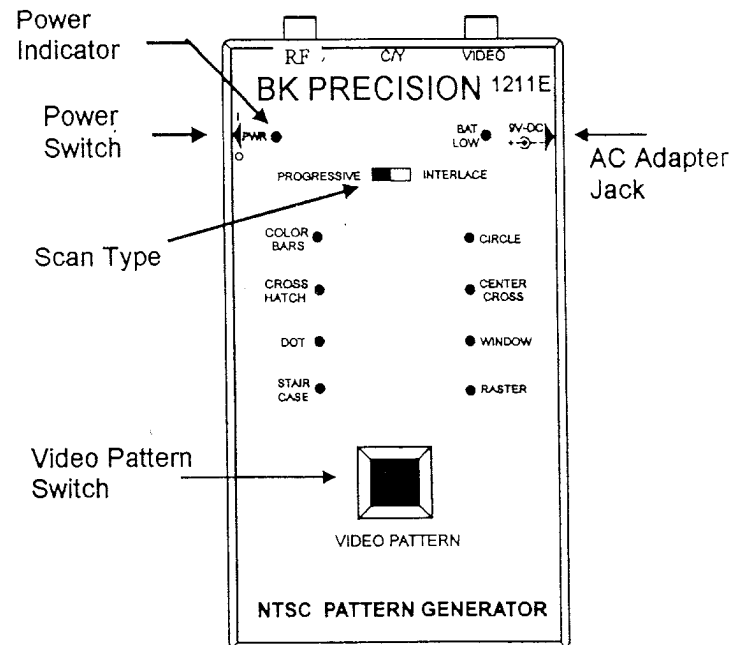
1. **Power Switch** – Power on or off
2. **Power Indicator** – LED to show when Power is on.
3. **Function Indicators** – Indicates active function color bar, cross hatch, dot, stair case, circle, center cross, window, and raster.
4. **Progressive/Interlace switch** – Selects scan type.
5. **Video Pattern** – Step through color bars, Crosshatch, Dot, Staircase and, circle, center Cross, Window, and Raster.
6. **Bat Low** – Indicates battery condition.
7. **AC Adapter Jack** – 9V DC, 100mA center pin + Adapter input.

OUTPUTS

BNC Connector – RF
RCA Connector – Video
Mini-Din – S Video

NTSC PATTERN GENERATOR

MODEL 1211E



APPLICATIONS

The B&K Precision Model 1211E NTSC Test Pattern generator is low cost, precision, television/video signal generator. It generates a variety of test signals and patterns for comprehensive testing, servicing, and adjustment of video and television equipment. Its applications include television systems, video cassette recorders and video disc players.

The instrument can generate many different patterns, each of which is available at channel 3 and as a composite or S-video signal. The patterns include standard NTSC color bars, staircase, black raster, and a variety of purity and convergence patterns. An engineer or technician with strong knowledge of video isolate almost any video problem.

RF output --- the channel 3 is available for injection into the antenna terminals of a television receiver or VCR, into MATV signal distribution networks, etc.

Composite Video --- the composite video output signal may be applied to the input or injected at test points of non-RF equipment or circuitry.

USE of PATTERNS

COLOR BARS --- The NTSC color bar pattern Provides a standard reference for color adjustments and troubleshooting.

CROSSHATCH and Dot --- The Crosshatch is preferred for dynamic convergence, linearity and pin cushion alignment. The Dot pattern is use for static convergence.

Staircase --- The staircase pattern is recommended for frequency equalization adjustment in the record amplifier circuit of VCR's. This Adjustment should be set for equal record currents for all steps of the staircase input signal.

Circle --- Used for horizontal and vertical gain adjustment.

Center Cross --- The center cross pattern should intersect at the center of the screen and there should be no tilt of the horizontal line. Improper centering indicates the need for centering adjustment or a deflection circuit fault. Tilt may require repositioning of the deflection Yoke. This pattern also provides a good general check of vertical and horizontal sync.

Window --- The window test pattern can be used for checking low-frequency distortions (ringing, smearing, streaking) and for frequency response measurements. It can be used for simple video level checks well.

Raster --- The full-field color test patterns (Red, Blue and Green Field) are handy diagnostic test signals to help assess the ability of a device under test (such as a color monitor) to handle individual primary color video signal components. Often the Red, Green, and Blue test signals are displayed on a monitor while adjustments are made to the yoke magnets of the monitor's tube to ensure proper display. The Red Field signal is often used to help visually detect the presence of noise introduced by a monitor. Our eyes are extremely sensitive to the presence of such noise on a field.

Black raster is often used to help time and synchronize various parts of a video system and is also used in video noise measurements.



Limited One-Year Warranty

B&K Precision Corp. warrants to the original purchaser that its product and the component parts thereof, will be free from defects in workmanship and materials for a period of one year from the date of purchase. B&K Precision Corp. will, without charge, repair or replace, at its' option, defective product or component parts. Returned product must be accompanied by proof of the purchase date in the form a sales receipt.

To obtain warranty coverage in the U.S.A., this product must be registered by completing and mailing the enclosed warranty card to B&K Precision Corp., 1031 Segovia Circle, Placentia, CA 92870 within fifteen (15) days from proof of purchase.

Exclusions: This warranty does not apply in the event Of misuse or abuse of the product or as a result of unauthorized alternations or repairs. It is void if the serial number is alternated, defaced or removed.

B&K Precision Corp. shall not be liable for any consequential damages, including without limitation damages resulting from loss of use. Some states do not allow limitation of incidental or consequential damages, so the above limitation or exclusion may not apply to you. This warranty gives you specific rights and you may have other rights, which vary from state-to-state.

Model Number: _____ Date Purchased: _____

1031 Segovia Circle
Placentia, CA 92870

714.237.9220 VOICE
714.237.9214 FAX

OTHER TEST & MEASUREMENT PRODUCTS AVAILABLE FROM B&K PRECISION

B & K Precision offer many different types of electronic test equipment to suit your needs. Below is a list of the different product categories of test equipment we offer.

High-Performance Oscilloscopes
Oscilloscope Accessories
High Performance Multimeters
Handheld Digital Multimeters
Bench Top Digital Multimeter
Digital Multimeter Accessories
Power Supplies
Function Generators
Frequency Counters
Spectrum Analyzers

SIMM Model Tester
Universal Device Programmers
Insulation Testers
Digital Thermometers
Capacitance & Semiconductor testers
Component Testers
LCR Meters
Telephone Product Testers
Video Testers
CRT Tester/Restorer & analyzers

For more information on these products please contact B&K Precision for your local distributor or to request literature. You can contact us at:

**B&K Precision Corp. 1031 Segovia Circle • Placentia CA,
92870-7137**

**PHONE (714)-237-9220 • FAX (714)-237-9214
(800)-462-9832**

www.bkprecision.com