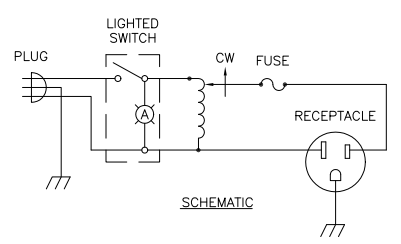
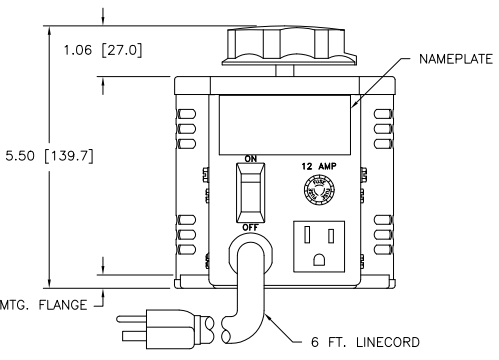
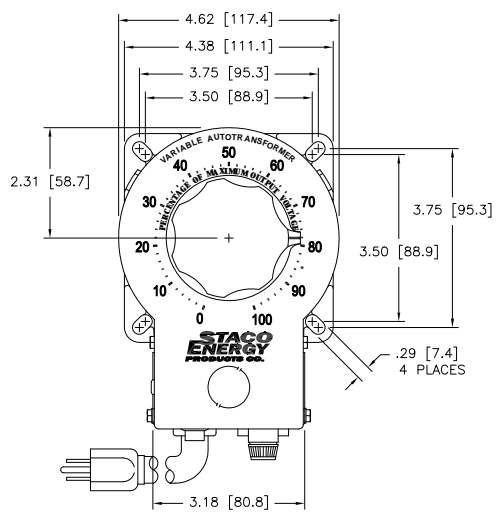
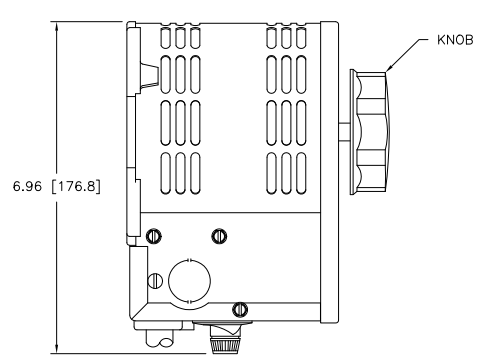


REV	DATE	BY	APP.
A	3/13/01		

031-2995
REVISED SILKSCREEN



WIRING	INPUT		OUTPUT	
	VOLTS	HERTZ	VOLTS	CONSTANT CURRENT LOAD
SINGLE PHASE	120	60	0-120	MAX. AMPS
				MAX. KVA

UNLESS OTHERWISE SPECIFIED, TOLERANCE IS: DIMENSIONS: 1/16" ± .010" (20" & OVER) 1/32" ± .015" (20" & OVER)

DATE: 10/11/99
 DRAWN BY: S.A. SMITH
 CHECKED BY: [blank]
 DESIGNED BY: [blank]

ITEM NO.: 3PN1210B
 QTY: 25
 CASE CODE: 25008
 WGT: 10.25 LBS.
 SHEET NO.: 1 OF 1

STACO ENERGY PRODUCTS CO.
 031-2995