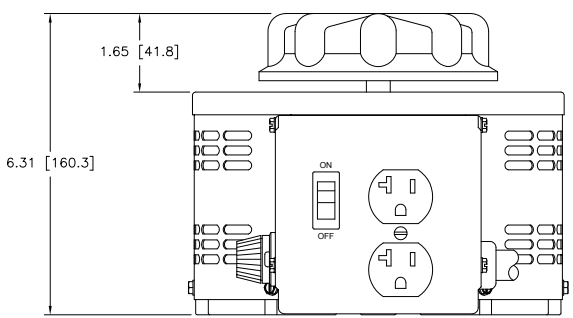
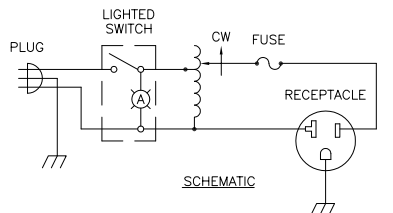
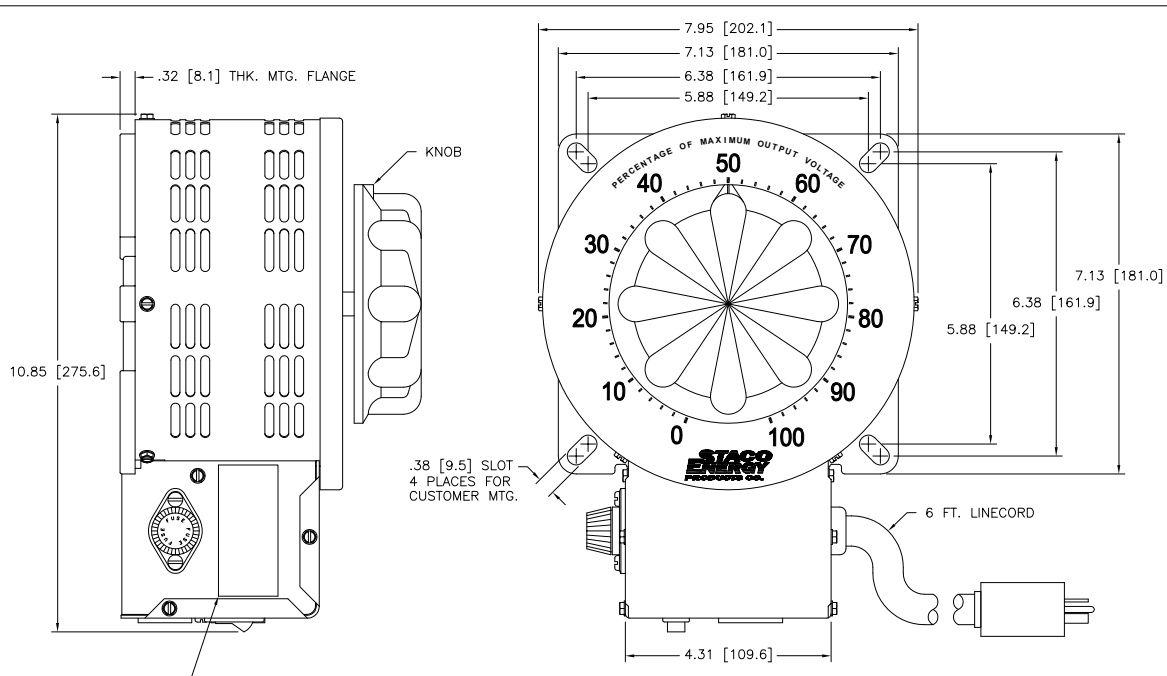


REV. NO.	031-5070		
REV.	DATE	BY	APP.
A	25144 6/10/03		
B	25435 8/26/04		
	REVISED & UPDATED		
	UPDATED SILKSCREEN		



WIRING	SPECIFICATIONS				
	INPUT		OUTPUT		
	VOLTS	HERTZ	VOLTS	CONSTANT CURRENT LOAD	
SINGLE PHASE	120	50/60	0-140	MAX. AMPS	MAX. KVA
				22	3.08

UNLESS OTHERWISE SPECIFIED TOLERANCE IS: DIMENSIONS IN MILLIMETERS: FRACTIONS DECIMALS FRACTIONS DECIMALS		UNITS: IN (mm)		1/16" 1.5748	
DRAWN BY: S.A. SMITH		DATE: 5/22/96		REV. NO. 3PN2210B	
CHECKED BY: [blank]		DATE: [blank]		DATE CODE: 35008	
QUANTITY: 1		SHEET: 1 OF 1		REV. NO. D	
SPEC. CONTROL DRAWING VARIABLE TRANSFORMER MODEL: 3PN2210B					