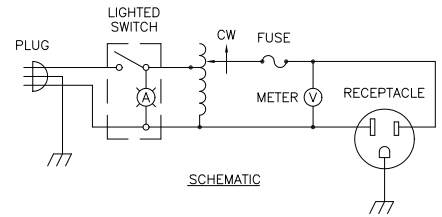
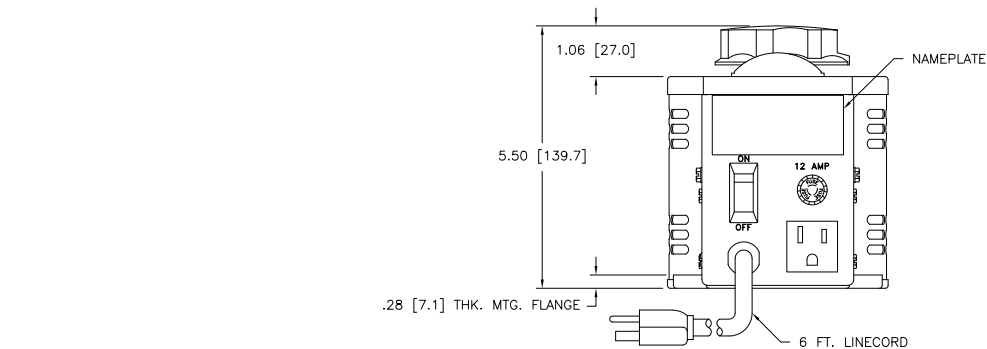
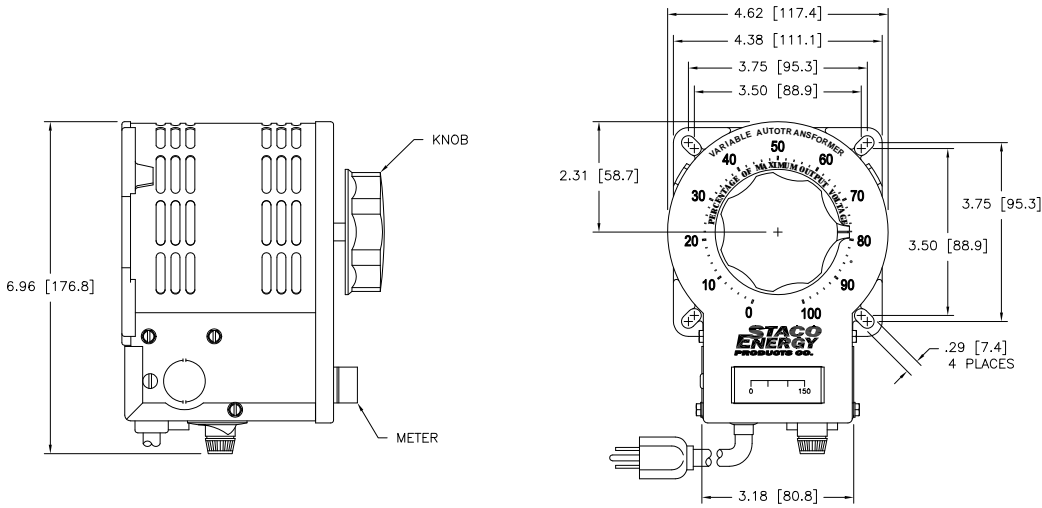


REV	NO.	031-1649
REVISED		
REV	DATE	APP.
A	24336 3/12/01	
REVISED SILKSCREEN		



WIRING	SPECIFICATIONS				
	INPUT		OUTPUT		
	VOLTS	HERTZ	VOLTS	CONSTANT CURRENT LOAD	
SINGLE PHASE	120	50/60	0-140	10	1.4
				MAX. AMPS	MAX. KVA

UNLESS OTHERWISE SPECIFIED, TOLERANCE IS: DIMENSIONS IN INCHES: FRACTIONS DECIMALS DIMENSIONS IN MILLIMETERS: FRACTIONS DECIMALS		STAGO ENERGY PRODUCTS CO.
DESIGNED BY	DATE	REVISED BY
DRW. BY S.A. SMITH	10/10/99	3PN1010BV
CHECKED BY	DATE	REVISED BY
DATE	DATE	DATE
SCALE	1=1	SHEET 1 OF 1
SPEC. CONTROL DRAWING VARIABLE TRANSFORMER MODEL: 3PN1010BV		STAGO ENERGY PRODUCTS CO.
WEIGHT: 10.25 LBS.		REV. NO. D
		031-1649